

RS 200 BS IV



RS 200 BS IV

Bajaj Auto Limited
Akurdi Pune 411 035 India
Tel +91 20 27472851
Fax +91 20 27407385
www.bajajauto.com
CIN L65993PN2007PLC130076

Spare Parts Catalogue



Notice

RS 200 BS IV

All information contained in this manual is based on the latest product information at the time of publication. Bajaj Auto Limited accepts no liability for any inaccuracies or omissions in this publication, although every possible care has been taken to make it as complete and accurate as possible. All procedures and specifications subject to change without prior notice. The right is reserved to make such changes at any time without prior notice and without incurring an obligation to make such changes to product manufactured previously. Contact your authorized Bajaj Dealer for the latest information on product improvements incorporated after this manual was issued.

DOC. NO.: 71111881

REV. 19, AUG. 18

Copy rights : All rights reserved. No part of this publicatin may be reproduced, stored in a retrival system, Or transmitted in any form or by any means, electronic mechanical photocopying, recording or otherwise, without the prior written permission of Bajaj Auto LTD.

We have pleasure in presenting the Spare Parts Catalogue for 'Pulsar RS 200' Motorcycle. This catalogue has been specially designed to assist you in selecting the correct parts for procurement to maintain 100% availability.

The Bajaj spares are subjected to the stringent quality control standards to ensure longer life of the vehicle. It is therefore necessary that only the Genuine Bajaj Spares are used.

In a continual effort to improve Performance and Efficiency of the vehicles, Specifications, Diagrams, Illustrations and Part Numbers can change without notice. Consequently, the description in this Spare Parts Catalogue cannot therefore be final and binding on us.

The modifications / alterations which are carried out after the issue of this catalogue, will be conveyed to you through our Service Circulars. You are requested to make necessary corrections in the Parts Catalogue as per the circulars so as to keep your catalogue up-to-date. This will ensure the appropriate and speedy delivery of the Spare Parts as the order placed will bear the latest part numbers.

In case, if you need any technical assistance contact the concerned Regional Office or write to us on the following address :

Bajaj Auto Limited
Service Department
Akurdi, Pune 411 035 India

1. How to Read the Catalogue : Open the catalogue and from the pictorial index locate the group in which the part you want to find is present. Turn over to the concerned page number (as given by pictorial index). Now find out the figure of the part you wish to order. Write down the part number against that particular figure number from the text.

In case, if you have the part number and you need the other details, the part index can be used. The part index (at the end of the catalogue) will give you the figure and page number of the part you wish to order.

2. How to Order Spare Parts : The part number and the description of the part required should be invariably mentioned in the order as per the catalogue text.

The latest part number as conveyed through our service circulars should only appear on the order. In case of ordering painted components, colour shade of the components should be mentioned.

The quantity shown against the part number is the quantity per vehicle for that group so that particular quantity should be multiplied by the number of sets required.

3. Part Number System : We have used 8 digit system for part numbers. The model or hardware item is indicated by first two digits or alphanumeric, the next two or four digits indicate main group and the last four or two digits indicate serial number in main group or serial number or subgroup of fastener respectively. Thus the part numbers will be indicated by 2-2-4 or 2-4-2 digit system. Understanding this system will enable you to identify the spare parts easily.

4. Abbreviations : The following abbreviations are used in this catalogue.

Assly	Assembly	V	Volts
N.I.	Not illustrated	W	Watts
C'case	Crankcase	Accl.	Accelerator
Cyl	Cylinder	Comp.	Complete
O/s	Over size	Fr.	Front
Rr.	Rear	Std.	Standard
L	Length	A/t.	Alternate
R.H.	Right hand	L.H.	Left hand
Hex.	Hexagonal	AR	As required

Revision No. &
Change Details



REV. NO., MM YY	PART NUMBER	SHORT DESCRIPTION	QTY.	SR. NO.	PAGE NO.	A: Add D: Delete C: Change	Reason for change
01 MAY 15	DT181324	LOWER FAIRING RH (K8)	1	13	114	C	In place of DT181287
	52DT0124	ASSLY BAT CASE	1	22	106	C	In place of DT181021
	DT121040	OUTER TUBE RH	1	2	80	C	In place of JL151003
	DT111106	FRAME RUBER PAD LH	1	14	52	A	
	DT111107	FRAME RUBER PAD RH	1	15	52	A	
	DT113817	GROMMET TAIL LAMP	1	16	102	A	
	DT113824	SLEEVE TAIL LAMP	1	17	102	A	
	DT131827	CALIPER BRACKET (ABS)	1	23	72	A	
	DT171030	FOAM TANK COVER	1	31	88	A	
	DT171082	BEADING TANK COVER	1	32	88	A	
	DT181275	F STRUCTURE MIDDLE	1	25	98	A	
	DT181285	COVER FAIRING LOWER	1	26	98	A	
	DT181294	F STRUCTURE LWR LH	1	27	98	A	
	DT181295	F STRUCTURE LWR RH	1	28	98	A	
	JW181288	BOLT	2	29	98	A	
	DT113842	COVER SEAL HEAT	1	7	50	A	
	36DT0001	HARDWARE FAIRING+R	1	27	28	A	
	36DT0002	HARDWARE S COWL+S	1	17	90	A	
	36DT0003	HARDWARE P TANK	1	33	88	A	
	--	--	--	--	33	C	Disc brake parts changed
	--	--	--	--	34	C	Disc brake parts changed
	--	--	--	--	36	C	Disc brake parts changed
02 JUN 15	JG551413	Clutch center	1	9	34	C	In place of JU551443
	DF201002	Reflector Reflex	1	9	102	C	In place of DT201002
	JG402234	Fuse 25 A	1	14A	104	C	In place of 60111531
	DT113814	Bracket S Cowl Rear	1	9	30	D	Deleted
	DT401012	Bulb Low Beam	1	7A	98	A	
	YDT0201	Bulb High Beam	1	8A	98	A	
	52DT0153	Assembly End Chamber	1	10	40	C	In place of DT591165

Revision No. &
Change Details



REV. NO., MM YY	PART NUMBER	SHORT DESCRIPTION	QTY.	SR. NO.	PAGE NO.	A: Add D: Delete C: Change	Reason for change
	YDT02004	Spd Mtr Top Cover+O ring	1	10	92	A	
	YDT02003	Proj High Beam w/o Bulb	1	8B	98	A	
	YDT02002	Proj Low Beam w/o Bulb	1	7B	98	A	
03 JUL 15	DT131863	ABS Unit	1	1	76	C	Changed to JY131816
	DT131861	Hose M Cyliner To ABS	1	2	76	C	Changed to 36DT0044
	DT131860	Hose Caliper To ABS	1	3	76	C	Changed to 36DT0043
	DT131825	Hose Disc Brake Rear	1	3	72	C	Changed to 36DT0042
	DT171042	Tank Side Cover	1	2A	112	A	
	36DT0022	Kit Tank Dcl Yellow	1	19	114	C	Individual parts make serviceable
	36DT0023	Kit Tank Dcl Red	1	19	114	C	Individual parts make serviceable
	56DT366B	Front Bezel Silver	1	22	98	A	In place of DT181252
04 AUG 15	DT181034	Foam Tank Cover	2	34	88	A	
	DT191022	Grommet Rear Seat Rear	1	15	48	A	
	39214124	Nonmetallic washer (nylon)	2	20	98	A	
	DJ181126	Foam Pad (25X15X2)	2	28	28	A	
	JK401801	Foam Pad (25X30X2)	1	29	28	A	
	JL171834	Tube Fuel	1	8	84	C	Changed to Dt611203
05 SEP 15	KBUC05 20	Screw	2	27	106	A	Bulletin 2015_29
	DT113806	Sleeve	2	28	106	A	Bulletin 2015_29
	JL181256	Grommet	2	29	106	A	Bulletin 2015_29
	39023911	Washer	2	30	106	A	Bulletin 2015_29
	39197215	Nut Flanged	2	31	106	A	Bulletin 2015_29
	KAEA0510	Bolt Flanged-Small	2	20	104	D	Bulletin 2015_29
06 JAN 16	56DT22X3	Tank Cover Top E BIK	1	2	112		
	52DT0197	Front Fender Dcl	1	7	112		
	52DT0196	Front Fender ABS Dcl	1	7	112		
	52DT0195	Front Fairing With Dcl	1	1	112		
	52DT0199	Side Fairing Lh With Dcl	1	4	112		
	52DT0198	Side Fairing Rh With Dcl	1	3	112		

Revision No. & Change Details



REV. NO., MM YY	PART NUMBER	SHORT DESCRIPTION	QTY.	SR. NO.	PAGE NO.	A: Add D: Delete C: Change	Reason for change	
	52DT0200	Seat Cowl Lh With Dcl	1	5	112	A		
	52DT0201	Seat Cowl Rh With Dcl	1	6	112	A		
	36DT0049	Kit Dcl Fender ABS-E Bl	1	20	114	A		
	36DT0045	Kit Dcl Fairing-E Bl-red	1	15	114	A		
	36DT0046	Kit Dcl Spoiler LH-E Bl-red	1	16	114	A		
	36DT0047	Kit Dcl Spoiler RH-E Bl-red	1	17	114	A		
	36DT0048	Kit Dcl S Cowl- E Bl-red	1	18	114	A		
	DT121048	Outer Tube LH	1	2	80	C	Changed from JI151002	
07 APR 16	DT181214	Side Faring Mesh LH	1	21	116	A		
	DT181221	Side Faring Mesh RH	1	21	116	A		
	DT131862	ABS Unit	1	1	76	C	Changed from JY131916	
09 MAY 16	DT181437	Brace Fender	1	4	58	A	Bulletin 2016_08	
	DT181435	Grommet Front Fender	2	15	58	A	Bulletin 2016_08	
	DJ161091	Grommet - Front Fender	4	15	58	A	Bulletin 2016_08	
	KACF0530	Bolt Socket	2	7	58	A	Bulletin 2016_08	
	DT121049	Assembly Front Fork	1	1	80	A	Bulletin 2016_08	
	DT121050	Leg Assembly LH	1	21	80	A	Bulletin 2016_08	
	DT121051	Leg Assembly RH	1	22	80	A	Bulletin 2016_08	
	DT121052	Tube Outer LH	1	2	80	A	Bulletin 2016_08	
	DT121053	Tube Outer RH	1	3	80	A	Bulletin 2016_08	
	52DT0329	Front fender ABS with DCL Racing red	1	7	114	A	Bulletin 2016_08	
	52DT0330	Front fender N-ABS with DCL P. red	1	7	114	A	Bulletin 2016_08	
	52DT0331	Front fender ABS with DCL Bright Yellow	1	7	114	A	Bulletin 2016_08	
	52DT0332	Front fender N-ABS with DCL B.Yellow	1	7	114	A	Bulletin 2016_08	
	52DT0333	K8 Front fender ABS with DCL E Black	1	7	114	A	Bulletin 2016_08	
	52DT0334	K8 Front fender N-ABS with DCL E Black	1	7	114	A	Bulletin 2016_08	
10 JAN 17		BS IV PARTS				A		
11 FEB 17		Petrol Tank Cap for BS IV model will be supplied in lock set only.						

Revision No. & Change Details



REV. NO., MM YY	PART NUMBER	SHORT DESCRIPTION	QTY.	SR. NO.	PAGE NO.	A: Add D: Delete C: Change	Reason for change
11 FEB 17	DI233187	DECAL TANK 3D STREAKS-RED	1	19A	132	D	
	DI233188	DECAL TANK 3D STREAKS-BLUE	1	19A	132	D	
	DI233189	DECAL TANK 3D STREAKS-BLACK	1	19A	132	D	
	DI233190	DECAL COWL SEAT 3D	1	19A	132	D	
12 APR 17		Alternate Part Number Updated				C	
13 JUN 17		Consumable Plate Added			135	A	Consumable Plate Added
14 JUN 17		Alternate part updated				C	Alternate part number updated
15 OCT 17	DT 5514 09	Clutch Assy Comp	1	1	40	C	Alternate part number updated
	DT 1510 36	Holder Handle LH Matt Black	1	2	88	C	Alternate part number updated
	DT 1510 37	Holder Handle RH Matt Black	1	7	88	C	Alternate part number updated
	DT 1210 30	Bracket Upper Matt Black	1	20	88	C	Alternate part number updated
	39 1791 04	Screw	2	10	100	C	Alternate part number updated
	52 JL09 17	Tank Cvr Top Racing Red	1	2	130	C	Alternate part number updated
16 NOV 17	52 DT04 54	Magneto Cover	1	1	38	A	Slate Gray
	52 JL08 92	Clutch Cover	1	1	36	A	Slate Gray
17 NOV 17	JL 5110 80	Assly Head Cylinder	1	4	4	A	Service Bulletin 2017-51
	JL 5111 12	Sleeve Spark Plug	1	7	4	A	Service Bulletin 2017-51
	KJ AC18 24	O Ring	1	8	4	A	Service Bulletin 2017-51
	JL 5112 49	Shaft Rocker Arm	1	6	6	A	Service Bulletin 2017-51
	JL 5112 54	Plate Stopper Rocker Shaft	1	7	6	A	Service Bulletin 2017-51
	JL 5112 41	Camshaft Assembly	1	1	8	A	Service Bulletin 2017-51
	JL 5112 50	Spacer Camshaft	1	5	8	A	Service Bulletin 2017-51
18 MAR 18	36DT0082	Kit Saree guard added	1	20	122	A	Kit saree guard RH part no. added
19 AUG 18	36DK0161	Fork oil seal kit	1	8	90	C	Changed from DK181019
	36DT0083	Kit air fil elemnt & cvr O ring	1	9	44	C	Changed from DT581062

Plate No.	Description	Page No.
1	Cover Cylinder Head	2
2	Cylinder Head	4
3	Valve	6
4	Camshaft / Tensioner	8
5	Cylinder and Piston	10
6	Crankshaft	12
7	Transmission	14 - 16
8	Change Drum / Shift Fork	18
9	Gear Change Mechanism	20
10	Engine Assembly / Crankcase RH	22 - 24
11	Crankcase LH	26
12	Balancer Idler Gear / Water Pump	28
13	Oil Pump	30
14	Radiator	32 - 34
15	Cover Clutch	36
16	Cover Magneto	38
17	Clutch Assembly	40
18	Throttle Body	42
19	Air Cleaner Complete	44
20	EVAP Mechanism	46
21	Silencer Assembly	48 - 50
22	Starter Assembly	52
23	Magneto, Regulator & EMS	54
24	H.T. Coil	56
25	Seat Assembly / Seat Lock	58
26	Engine Mountings	60
27	Frame & Frame Fittings	62
28	Swing Arm, Rear Shock Absorber	64
29	Pillion Foot Rest, Holder	66
30	Mudguard - Front & Rear	68
31	Stand Assembly	70

Plate No.	Description	Page No.
32	Tube, Tyre, Rim	72
33	Front Hub	74
34	Master Cylinder - Front Disc Brake	76
35	Caliper Assembly - Front Disc Brake	78
36	Rear Hub	80
37	Rear Disc Brake Assembly	82
38	Rear Brake Pedal	84
39	Anti Brake Lock System	86
40	Handlebar Assembly	88
41	Front Fork	90 - 92
42	Petrol Tank, Cap Tank, Gauge Fuel	94
43	Fittings - Petrol Tank Cover	96 - 98
44	Fittings - Side Covers & Cover Seat	100
45	Meter Assembly	102
46	Control Cables	104
47	Chain Case	106
48	Head Lamp & Fairing	108 - 110
49	Indicator Light Assembly	112
50	Tail Lamp Assembly, Front Number Plate	114
51	Electrical Equipments	116 - 118
52	Tool Kit	120
53	Accessories / Grab Handle	122
54	Painted Parts & Decals	124 - 128
55	Painted Parts & Decals - BS IV	130 - 134
56	Consumable Parts	135 - 138
	Kits List	139 - 144
	Part Index	145 - 164

PLATE NO. : 1
COVER CYLINDER HEAD

PAGE NO.
1

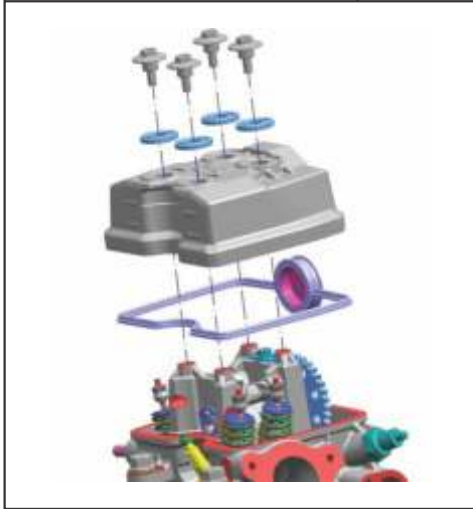


PLATE NO. : 2
CYLINDER HEAD

PAGE NO.
3

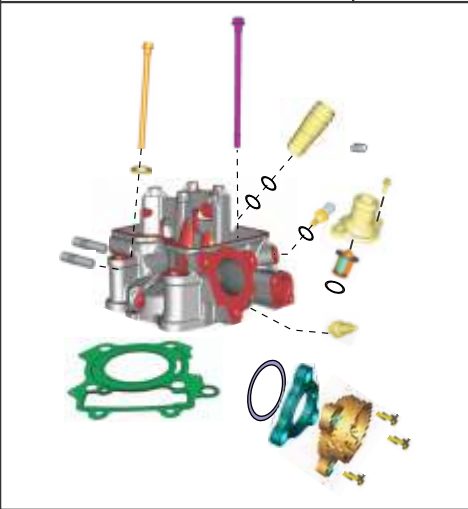


PLATE NO. : 3
VALVE

PAGE NO.
5



PLATE NO. : 4
CAMSHAFT / TENSIONER

PAGE NO.
7



PLATE NO. : 5
CYLINDER & PISTON

PAGE NO.
9

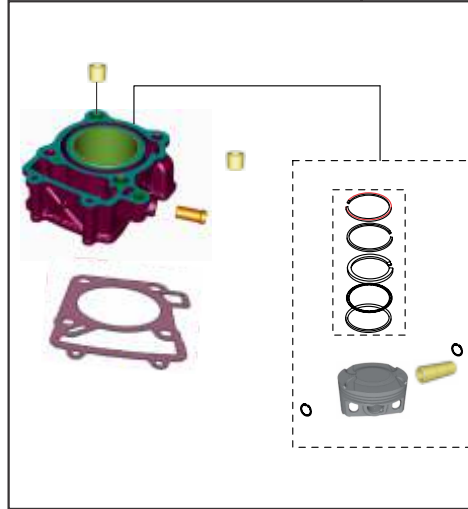


PLATE NO. : 6
CRANKSHAFT

PAGE NO.
11



PLATE NO. : 7
TRANSMISSION

PAGE NO.
13 - 15



PLATE NO. : 8
CHANGE DRUM / SHIFT FORK

PAGE NO.
17

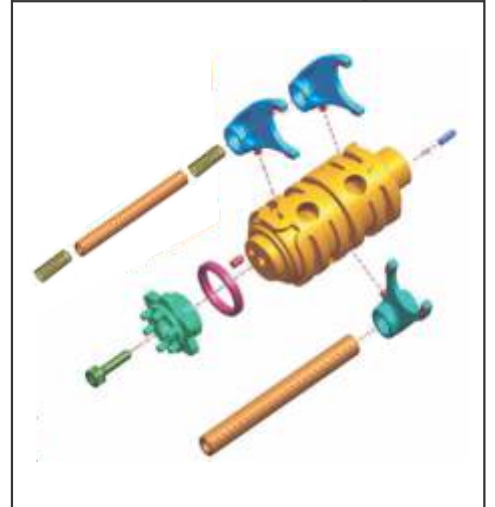


PLATE NO. : 9
GEAR CHANGE MECHANISM

PAGE NO.
19

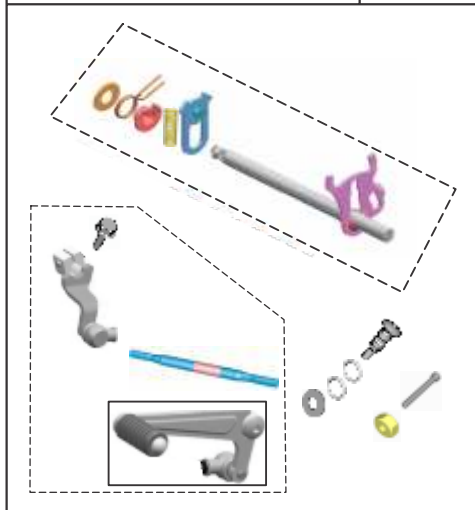


PLATE NO. : 10
ENGINE ASSLY & CRANKCASE RH

PAGE NO.
21 - 23

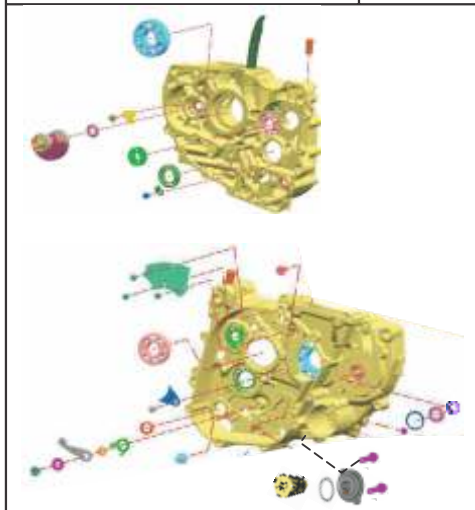


PLATE NO. : 11
CRANKCASE LH

PAGE NO.
25

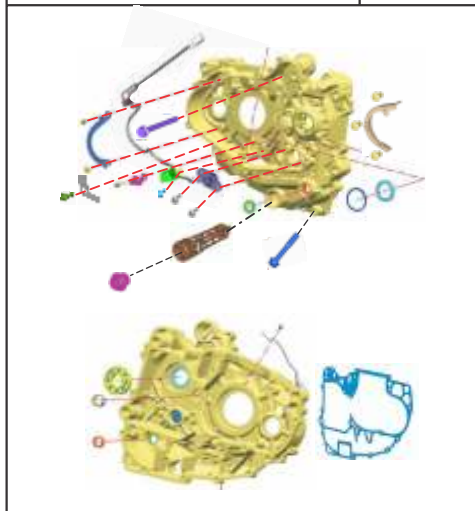


PLATE NO. : 12
BALANCER IDLER GEAR/WATER PUMP

PAGE NO.
27

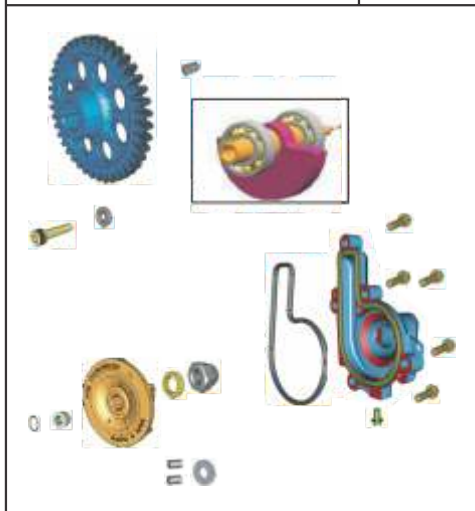


PLATE NO. : 13
OIL PUMP

PAGE NO.
29

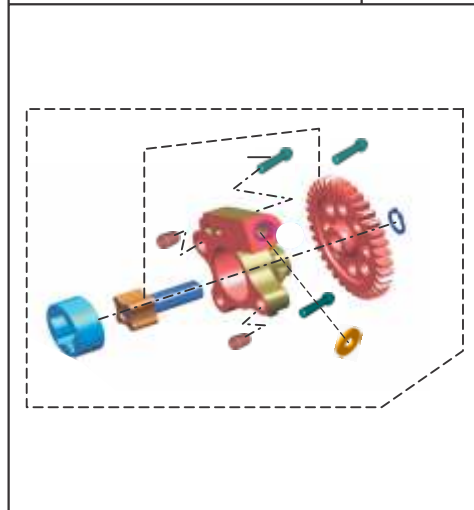


PLATE NO. : 14
RADIATOR

PAGE NO.
31 - 33

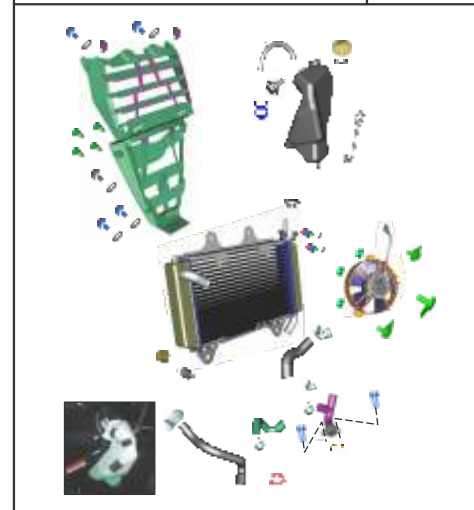


PLATE NO. : 15
COVER CLUTCH

PAGE NO.
35

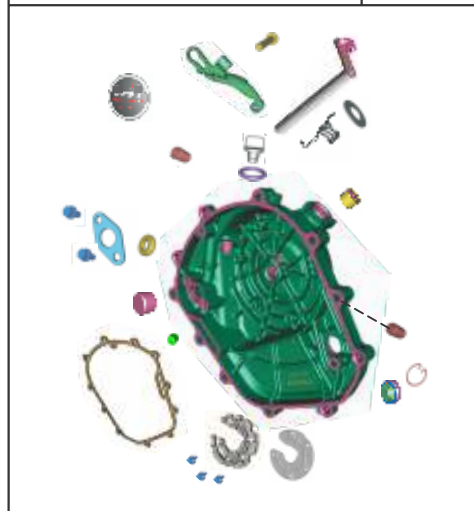


PLATE NO. : 16
COVER MAGNETO

PAGE NO.
37



PLATE NO. : 17 CLUTCH ASSEMBLY	PAGE NO. 39

PLATE NO. : 18 THROTTLE BODY	PAGE NO. 41

PLATE NO. : 19 AIR CLEANER COMPLETE	PAGE NO. 43

PLATE NO. : 20 EVAP Mechanism	PAGE NO. 45

PLATE NO. : 21 SILENCER ASSEMBLY	PAGE NO. 47 - 49

PLATE NO. : 22 STARTER ASSEMBLY	PAGE NO. 51

PLATE NO. : 23 MAGNETO, REGULATOR & EMS	PAGE NO. 53

PLATE NO. : 24 H.T. COIL	PAGE NO. 55

PLATE NO. : 25 SEAT ASSEMBLY / SEAT LOCK	PAGE NO. 57
---	----------------

PLATE NO. : 26 ENGINE MOUNTINGS	PAGE NO. 59
------------------------------------	----------------

PLATE NO. : 27 FRAME & FRAME FITTINGS	PAGE NO. 61
--	----------------

PLATE NO. : 28 SWINGARM / REAR SHOCK ABSORBER	PAGE NO. 63
--	----------------

PLATE NO. : 29 PILLION FOOT REST / HOLDER	PAGE NO. 65
--	----------------

PLATE NO. : 30 MUDGUARD - FRONT & REAR	PAGE NO. 67
---	----------------

PLATE NO. : 31 STAND ASSEMBLY	PAGE NO. 69
----------------------------------	----------------

PLATE NO. : 32 TUBE / TYRE / RIM	PAGE NO. 71
-------------------------------------	----------------

PLATE NO. : 33 FRONT HUB	PAGE NO. 73
-----------------------------	----------------

PLATE NO. : 34 MASTER CYLINDER - FRONT DISC BRAKE	PAGE NO. 75
---	----------------

PLATE NO. : 35 CALIPER ASSEMBLY - FRONT DISC BRAKE	PAGE NO. 77
--	----------------

- PISTON SEAL
- DUST SEAL
- BLEEDER CAP
- PROTECTION BOOT
- INSULATOR
- CALIPER PISTON
- BLEEDER SCREW
- PAD SPRING

PLATE NO. : 36 REAR HUB	PAGE NO. 79
----------------------------	----------------

PLATE NO. : 37 REAR DISC BRAKE ASSEMBLY	PAGE NO. 81
--	----------------

- PISTON SEAL
- DUST SEAL
- BLEEDER CAP
- PROTECTION BOOT
- INSULATOR
- CALIPER PISTON
- BLEEDER SCREW
- PAD SPRING

PLATE NO. : 38 REAR BRAKE PEDAL	PAGE NO. 83
------------------------------------	----------------

PLATE NO. : 39 AIR BRAKE LOCK SYSTEM	PAGE NO. 85
---	----------------

PLATE NO. : 40 HANDLEBAR ASSEMBLY	PAGE NO. 87
--------------------------------------	----------------

PLATE NO. : 41 FRONT FORK	PAGE NO. 89 - 91

PLATE NO. : 42 PETROL TANK, CAP TANK & GAUGE FUEL	PAGE NO. 93

PLATE NO. : 43 FITTING PETROL TANK COVER	PAGE NO. 95 - 97

PLATE NO. : 44 FITTINGS - SIDE COVERS & COVER SEAT	PAGE NO. 99

PLATE NO. : 45 METER ASSEMBLY	PAGE NO. 101

PLATE NO. : 46 CONTROL CABLES	PAGE NO. 103

PLATE NO. : 47 CHAIN CASE	PAGE NO. 105

PLATE NO. : 48 HEAD LAMP & FAIRING	PAGE NO. 107 - 109

PLATE NO. : 49 INDICATOR LIGHT ASSEMBLY	PAGE NO. 111

PLATE NO. : 50 TAIL LAMP Assembly, FRONT NUMBER PLATE	PAGE NO. 113

PLATE NO. : 51 ELECTRICAL EQUIPMENTS	PAGE NO. 115 - 117

PLATE NO. : 52 TOOL KIT	PAGE NO. 119

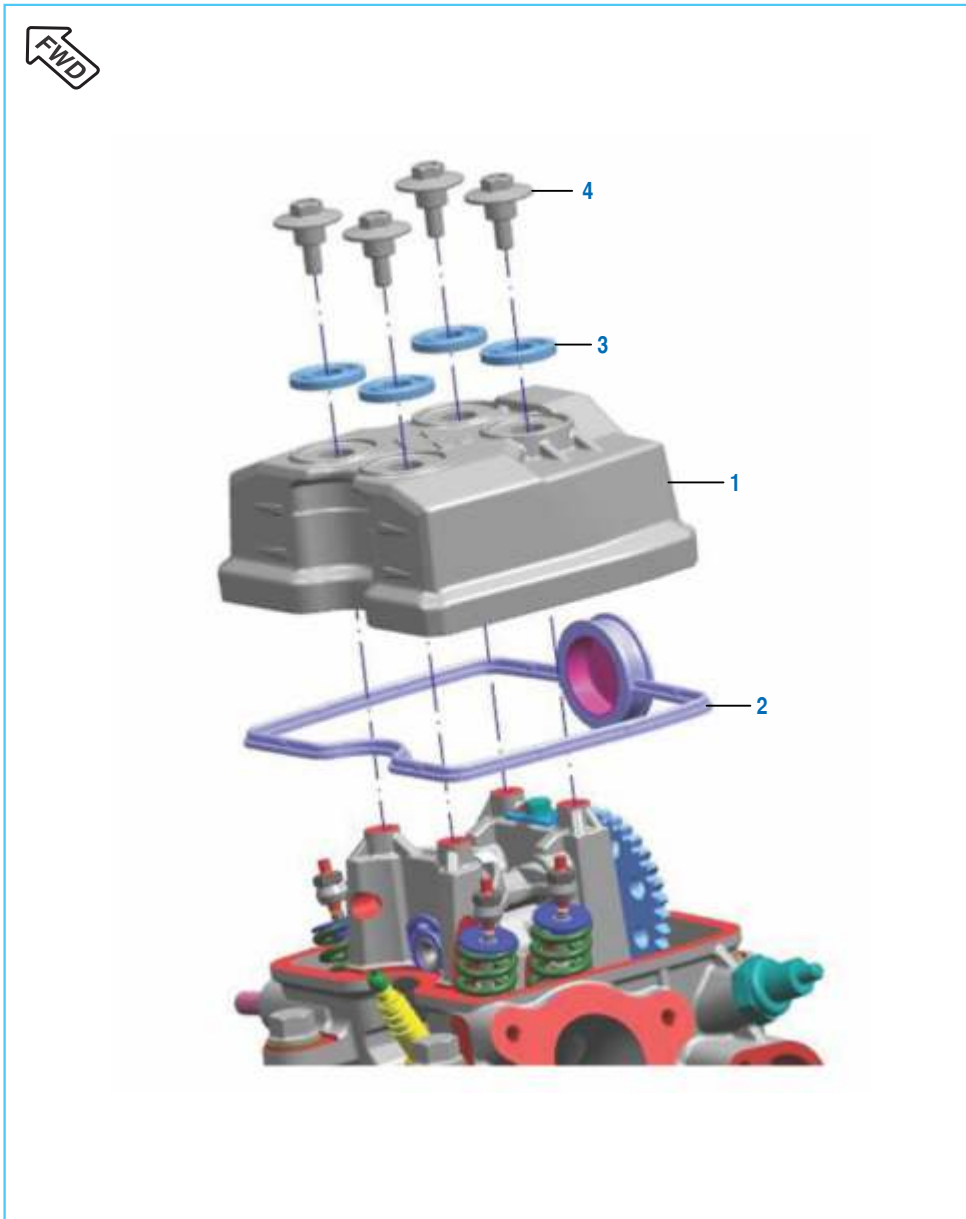
PLATE NO. : 53 ACCESSORIES / GRAB HANDLE	PAGE NO. 121

PLATE NO. : 54 PAINTED PARTS & DECALS	PAGE NO. 123 - 127

PLATE NO. : 55 PAINTED PARTS & DECALS - BS IV	PAGE NO. 129 - 133

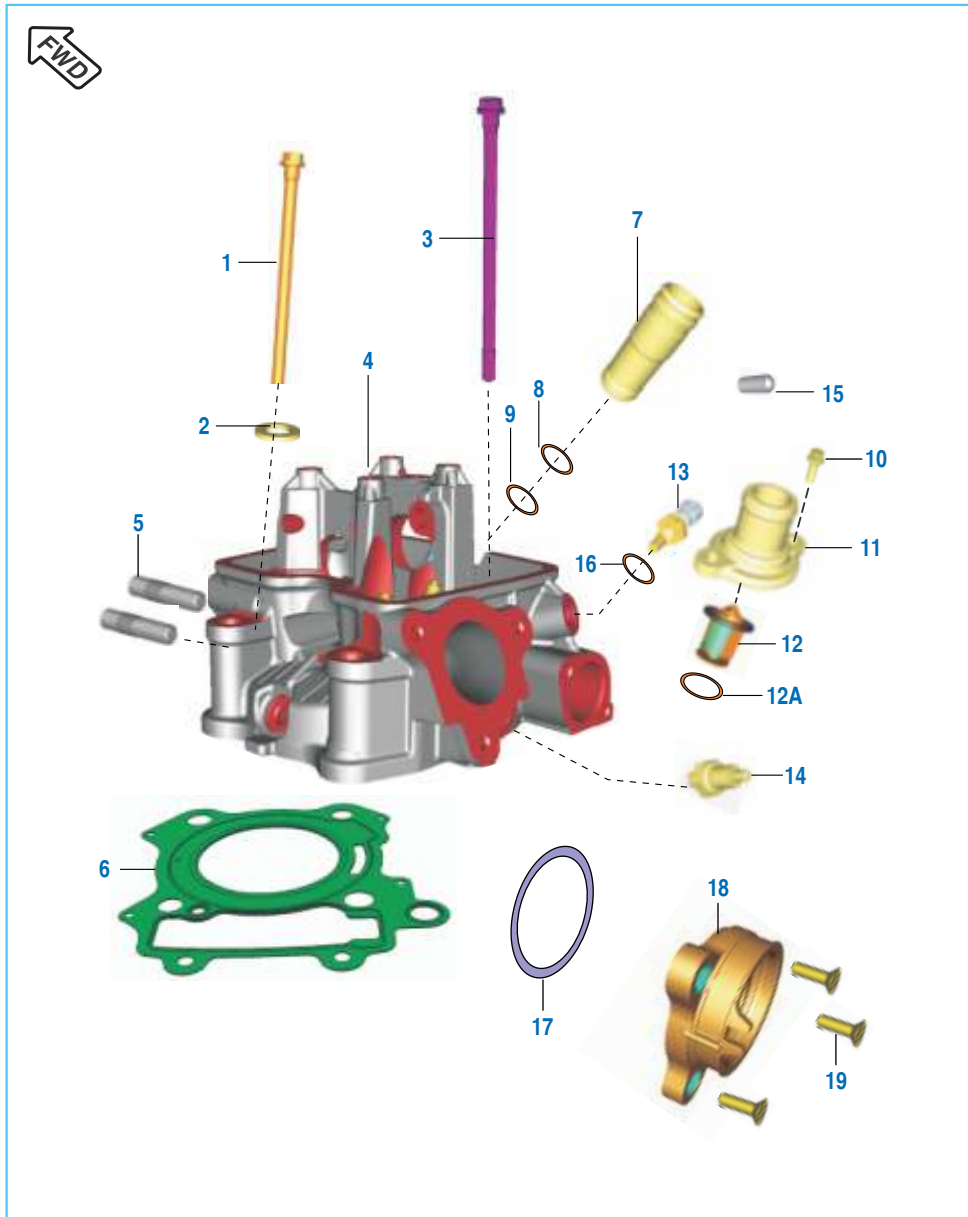
PLATE NO. : 56 CONSUMABLE PARTS	PAGE NO. 135 & 137

Cover Cylinder Head



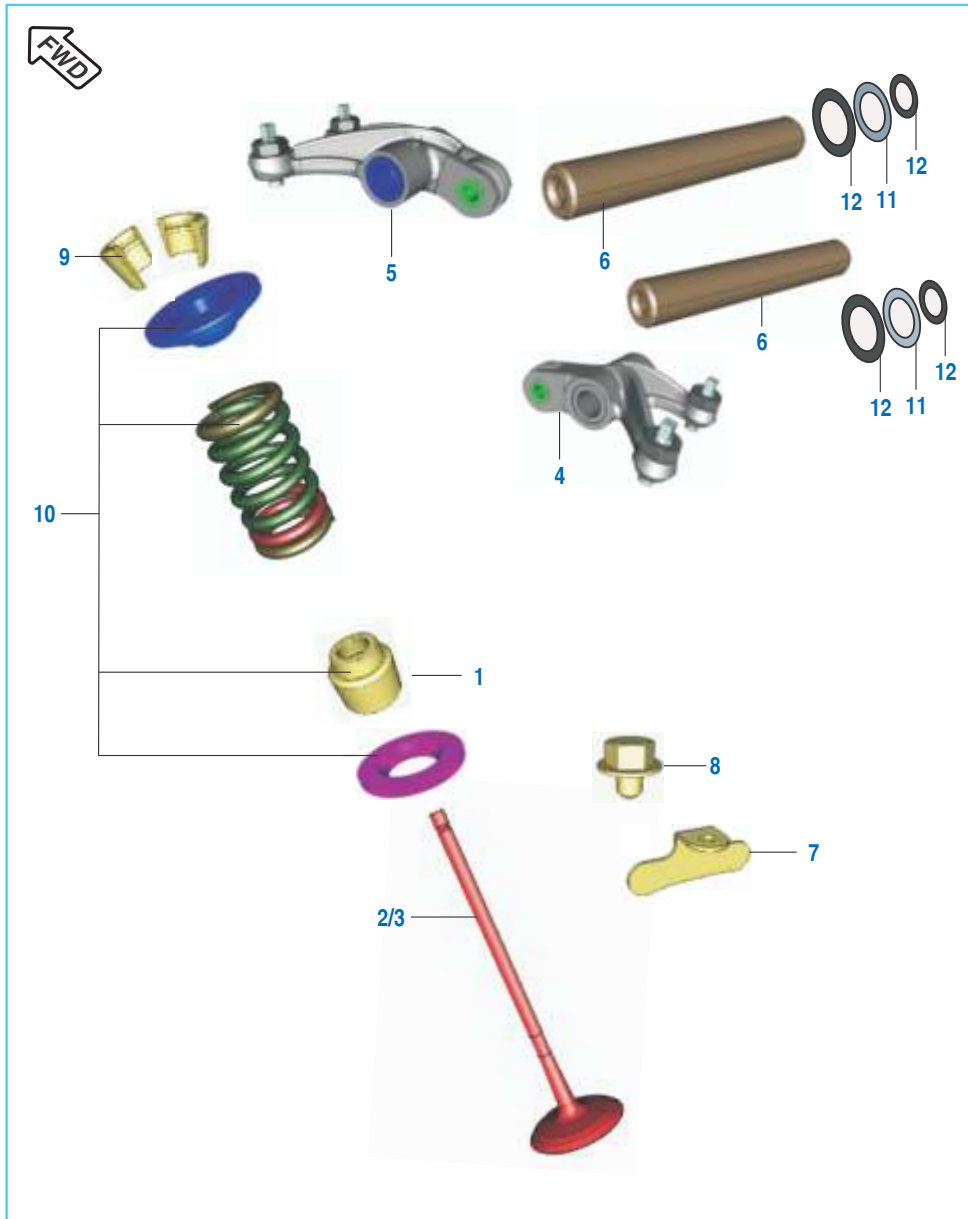
No.	Part No.	Description	Qty.		Remarks
			ABS	NON ABS	
1	JL 5110 41	Cover Cylinder Head	1	1	
2	JL 5110 42	Gasket Head Cover(Rubber)	1	1	
3	JG 5110 21	Washer	4	4	
4	JG 5110 22	Bolt Special	4	4	

Cylinder Head



No.	Part No.	Description	Qty.		Remarks
			ABS	NON ABS	
1	JG 5410 68	Hex Flange Head Bolt M10	4	4	
2	LD A000 08	Washer 11.2*20*2T	4	4	
3	JL 5110 09	M6 Stud Bolt	2	2	
4	36 DT00 32	Kit Assly Cylinder Head	1	1	Refer Kit List
	DT 5110 97	Assembly Head Cylinder	1	1	Refer Bulletin 2017-51
5	JG 5110 46	Stud (M8*1.25)	2	2	
6	JL 5110 22	Gasket Cylinder Head	1	1	
7	JL 5112 19	Sleeve Spark Plug	1	1	
	JL 5111 12	Sleeve Spark Plug	1	1	Refer Bulletin 2017-51
8	39 2629 21	'O' Ring Sleeve	1	1	Top side
	KJ AC18 24	'O' Ring Sleeve	1	1	Refer Bulletin 2017-51
9	39 1283 21	'O' Ring Sleeve	1	1	Bottom side
10	KA EQ06 20	Bolt - Flange M6	2	2	
11	JL 5110 29	Cover Thermostat	1	1	
12	JL 6012 37	Thermostat Assembly	1	1	
12A	JL 6012 25	Seal Thermostat	1	1	
13	JG 3514 00	Coolant Water Temp Sensor	1	1	
14	DK 1012 25	Switch Oil Pressure	1	1	
15	39 2608 01	Grub Screw	1	1	
16	39 2699 20	'O' Ring Water Temp Sensor	1	1	
	DK 1013 40	'O' Ring (Oil Cooler Pipe)	1	1	
17	JG 5814 07	O-ring Pipe Intake_g2	1	1	
18	JL 5810 39	Pipe Intake	1	1	
19	LB C000 02	Screw Csk Cross	3		

Valve



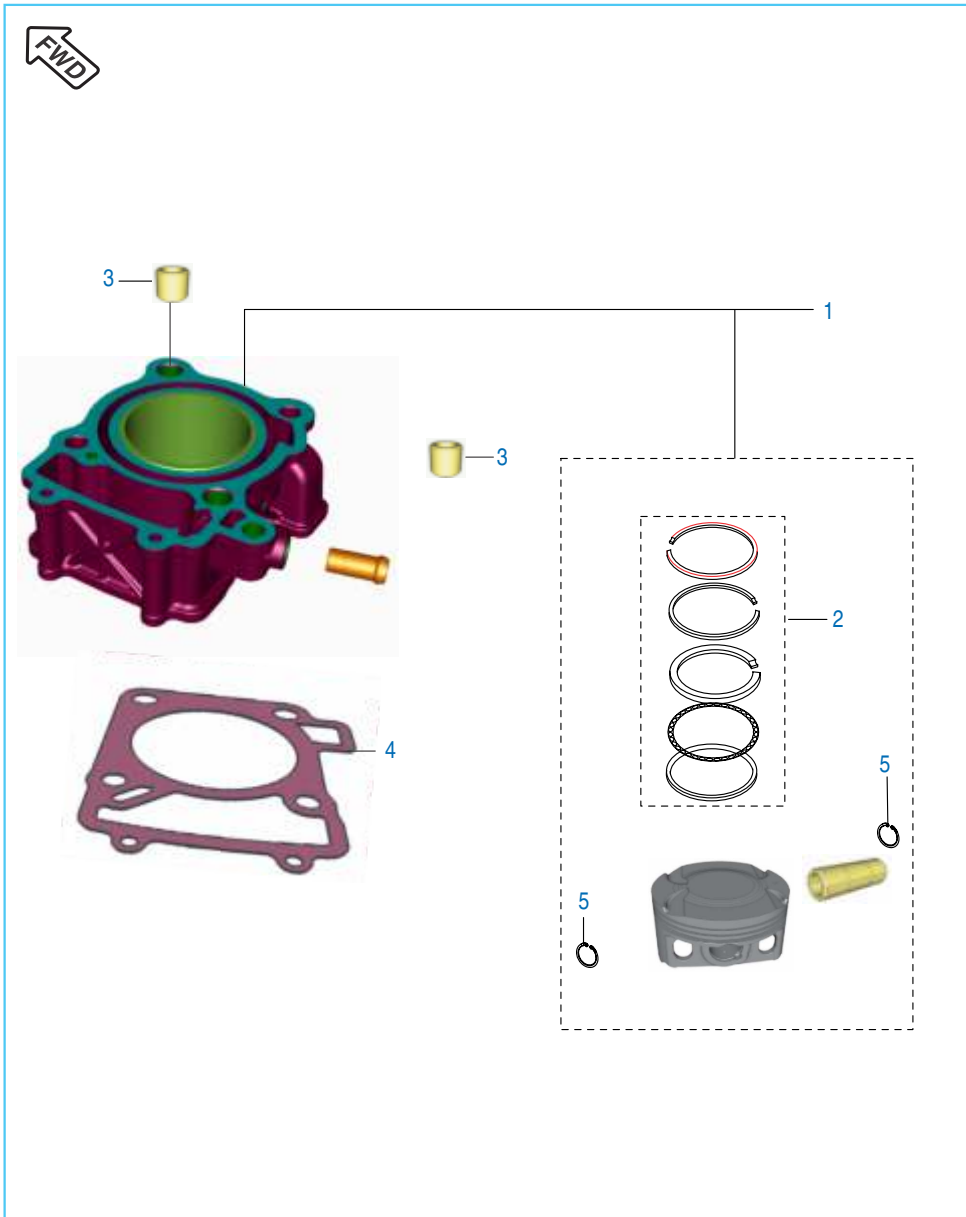
No.	Part No.	Description	Qty.		Remarks
			ABS	NON ABS	
1	39 2017 19	Seal Valve Stem	4	4	
2	JL 5110 10	Valve Intake	2	2	
3	JL 5110 11	Valve Exhaust	2	2	
4	DT 5112 61	Assembly Rocker Arm Intake	1	1	BS IV
5	DT 5112 62	Assembly Rocker Arm Exhaust	1	1	BS IV
6	JL 5112 05	Rocker Arm Shaft	2	2	
	JL 5112 49	Rocker Arm Shaft	2	2	Refer Bulletin 2017-51
7	JF 5112 07	Plate Stopper Rocker Arm	1	1	
	JL 5112 54	Plate Stopper Rocker Arm	1	1	Refer Bulletin 2017-51
8	LA E000 16	Bolt Flanged M5X0.8X6L-Precoated	1	1	
9	DG 1010 29	Cotter Valve	8	8	
10	36 JL00 11	Valve Repair Kit	4	4	Refer Kit List
11	DH 1012 95	Wave Washer	2	2	
12	39 2440 11	Plain Washer	4	4	

Camshaft / Tensioner



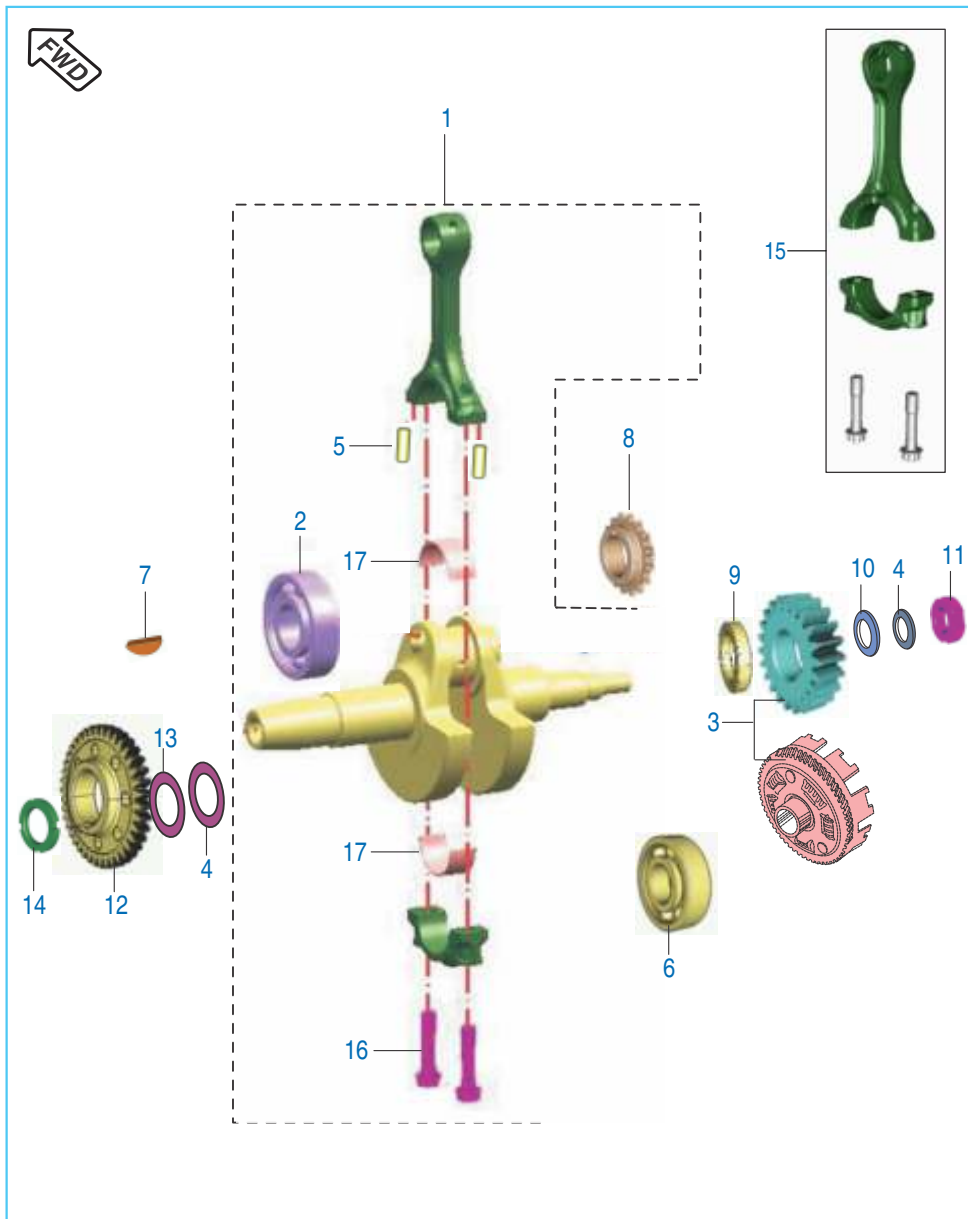
No.	Part No.	Description	Qty.		Remarks
			ABS	NON ABS	
1	DT 5112 39	Assembly Camshaft	1	1	
	JL 5112 41	Assembly Camshaft	1	1	Refer Bulletin 2017-51
2	JG 5312 20	Bearing - Ball 6202/HN3	1	1	
3	JL 5310 03	Plate Guide Chain Slack	1	1	BS IV
4	39 0594 17	Circlip - Internal	1	1	
	JL 5112 21	Spacer Camshaft	1	1	
5	JL 5112 21	Spacer Camshaft	1	1	
	JL 5112 50	Spacer Camshaft	1	1	Refer Bulletin 2017-51
6	JL 5112 20	Sprocket Camshaft	1	1	
7	JG 5112 69	Bolt Special Flanged	1	1	
8	JL 5112 22	Timing Chain	1	1	
9	JC 1010 34	Tensioner Assembly	1	1	
10	39 2669 21	Ring - O (Tensioner Bolt)	1	1	N.I.
11	KA EQ06 20	Bolt Hexagonal	2	2	
12	CS 1011 28	Gasket	1	1	
13	JG 5112 70	Bolt Flanged M6X1X6L-Special	1	1	
14	DH 1013 92	Chain Guide Pivot Bolt	1	1	
15	36 JL00 01	Kit Chain Guide	1	1	Refer Kit List

Cylinder and Piston



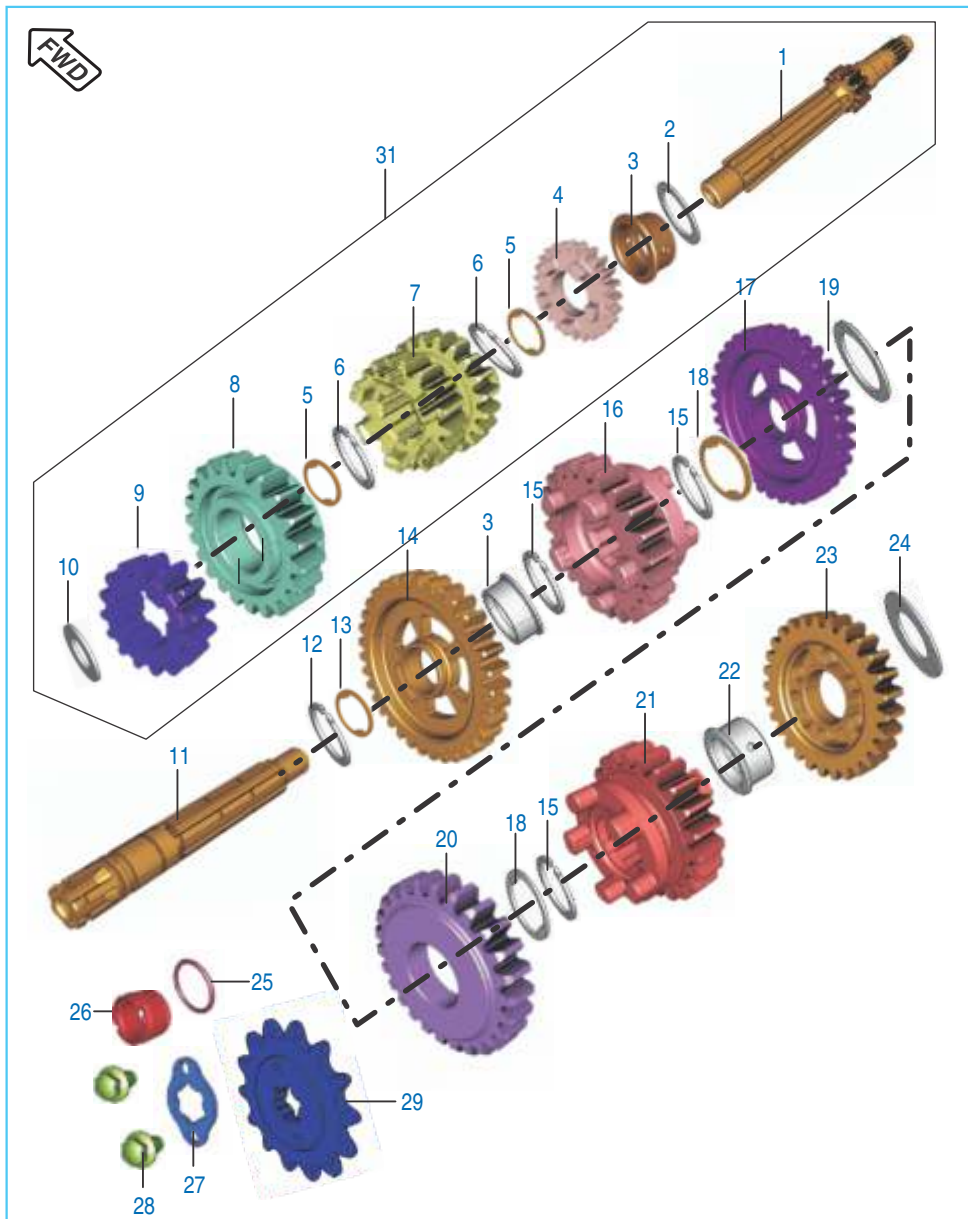
No.	Part No.	Description	Qty.		Remarks
			ABS	NON ABS	
1	36 JL00 07	Kit Asly Block Piston	1	1	Refer Kit List
2	36 JU00 01	Kit Piston Ring	1	1	Refer Kit List
3	39 2181 06	Pin - Hollow Dowel 14 X 20	2	2	
4	JL 5210 02	Gasket Cylinder Block	1	1	
5	39 2132 17	Ring Snap	2	2	
	JU 5212 12	Ring Snap	2	2	BS IV

Crankshaft



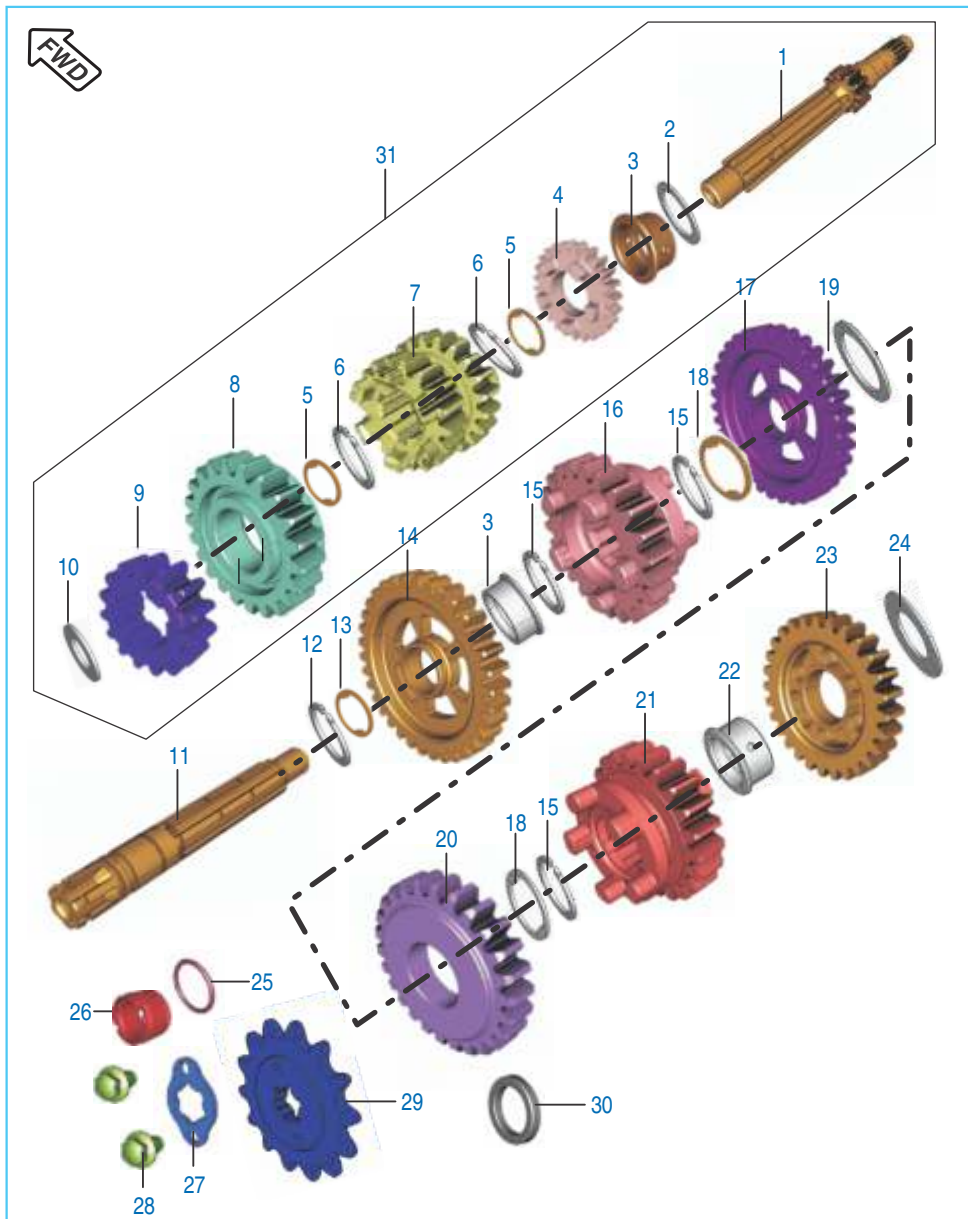
No.	Part No.	Description	Qty.		Remarks
			ABS	NON ABS	
1	36 JU00 36	Crankshaft Assembly Comp	1	1	
2	39 1931 20	Bearing - Ball 28 X 68 X 18	1	1	
3	36 DT00 33	Kit Primary Drive & Driven Gear	1	1	Refer Kit List
4	LD B000 10	Washer - Plain	2	2	
5	39 2203 07	Pin - Parallel	2	2	
6	39 1931 20	Ball Bearing 28 X 68 X 18	1	1	
7	31 1011 73	Key-Woodruff for Crankshaft Clutch Side	1	1	
8	JG 5310 27	Sprocket Crankshaft	1	1	
9	JG 5310 31	Spacer Crankshaft	1	1	
10	39 2200 11	Washer - Plain (Primary Drive Gear)	1	1	
11	LC D000 01	Nut Sprocket Drive Lock	1	1	
12	JG 5310 41	Balancer Drive Gear	1	1	
13	LD H000 02	Belleville Washer	1	1	
14	JG 5310 40	Nut Balancer Drive Lock	1	1	
15	JF 5310 07	Conrod Assembly Complete	1	1	
16	JF 5310 14	Bolt (JF Con Rod)	2		
17	JU 5310 21	Bush Big End	2		

Transmission



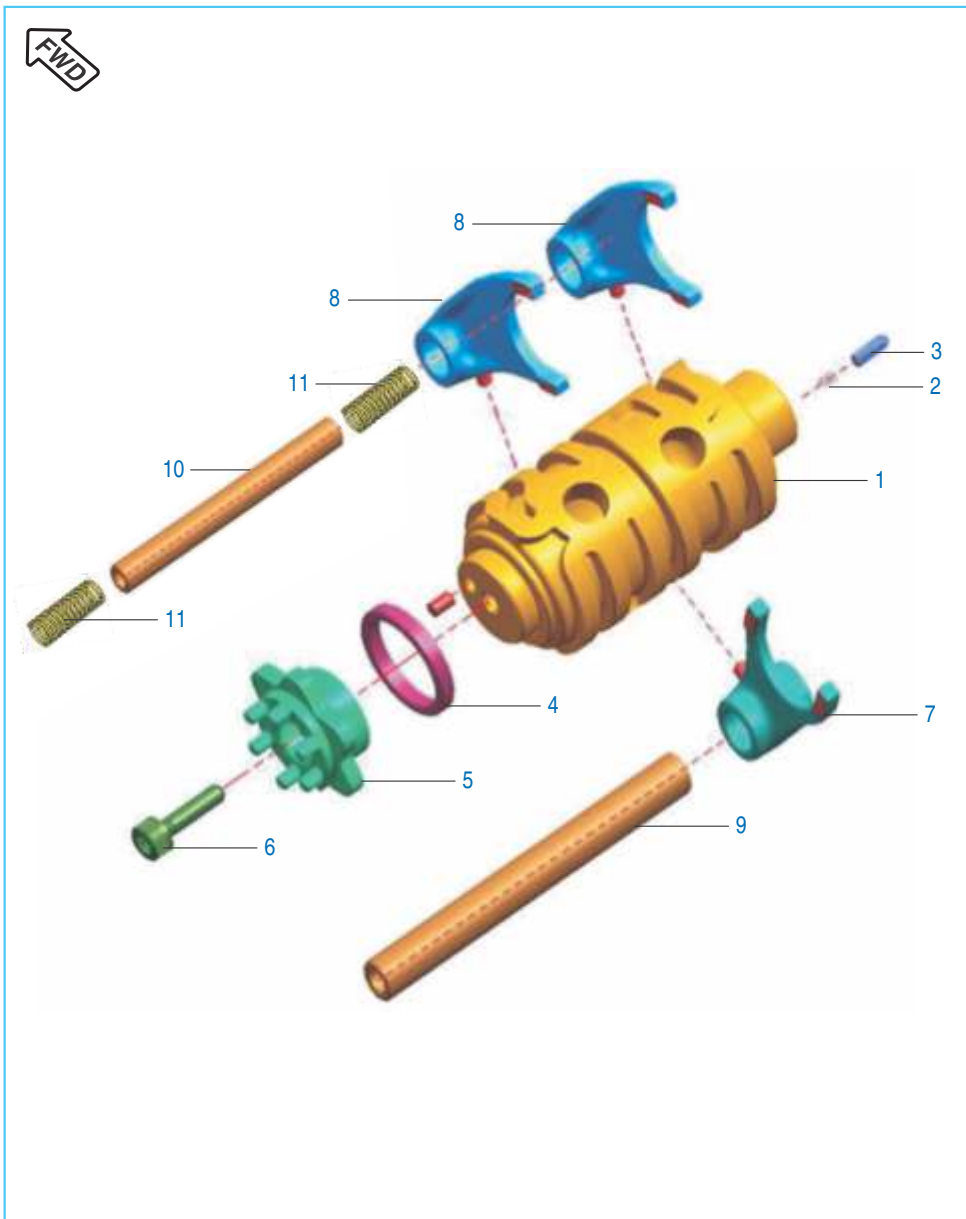
No.	Part No.	Description	Qty.		Remarks
			ABS	NON ABS	
1	JG 5510 27	Shaft Input T/M Comp	1	1	
2	39 2158 11	Washer - Plain	2	2	
3	JG 5510 13	Bush 6th Drive / Bush 2nd Driven	1	1	
4	JG 5512 13	Gear 6th Drive	1	1	
5	JG 5510 20	Washer Splined	2	2	
6	BF 5510 37	Ring - Snap	2	2	
7	JG 5512 14	Gear Drive Multiple 3&4	1	1	
8	JG 5512 20	Gear 5th Drive	1	1	
9	JG 5512 27	Gear 2nd Drive	1	1	
10	JG 5510 22	Washer - Plain	1	1	
11	JG 5510 25	Output Shaft Assy With Plug	1	1	
12	DH 1012 35	Circlip	1	1	
13	39 2166 11	Washer Plain	1	1	
14	JG 5512 28	Gear 2nd Driven	1	1	
15	BF 5510 37	Ring - Snap	3	3	
16	JG 5512 22	Gear 5th Driven	1	1	
17	JG 5512 23	Gear 3rd Driven	1	1	
18	JG 5510 20	Spline Thrust Washer	2	2	
19	JG 5510 21	Washer Plain O/P shaft	1	1	
20	JG 5512 15	Gear 4th Driven	1	1	

Transmission



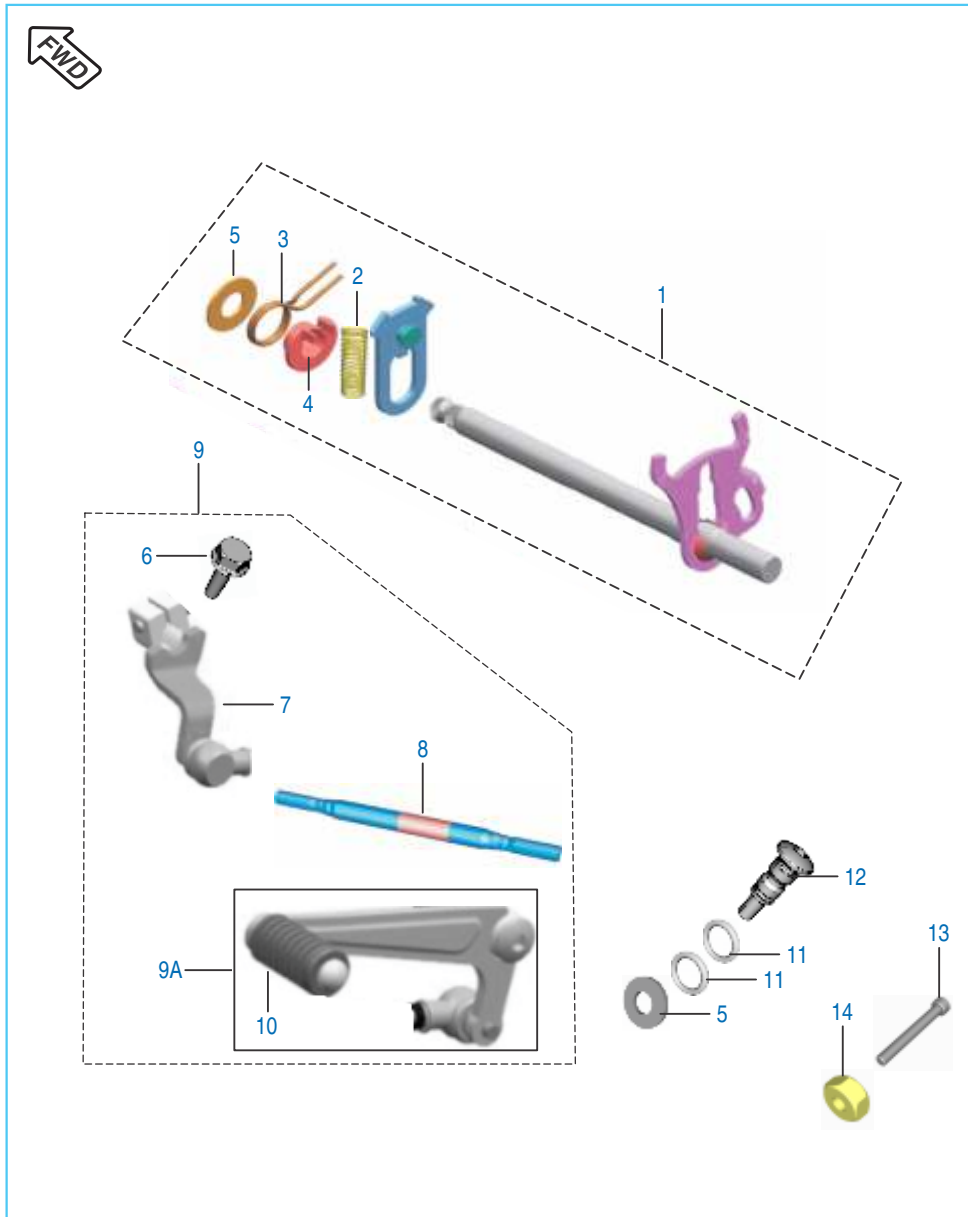
No.	Part No.	Description	Qty.		Remarks
			ABS	NON ABS	
21	JG 5512 24	Gear 6th Driven	1	1	
22	JG 5510 00	Bush 1st Driven	1	1	
23	JG 5512 25	Gear 1st Driven	1	1	
24	39 2159 11	Washer - Plain	1	1	
25	DK 1013 52	O-Ring Spkt. Collar(17.5*1.5)	1	1	
26	JG 5510 10	Collar Sprocket	1	1	
	JG 5510 31	Collar Sprocket	1	1	
27	DJ 1013 12	Plate Drive Sprocket	1	1	
28	LA E000 17	Bolt Flanged			
		M6 x 1 x 10L - Precoated	2	2	
29	DV 1010 48	Sprocket Output (14T)	1	1	
30	JY 5410 58	Oil Seal Output Shaft	1	1	
31	JG 5510 28	Shaft Input T/M Assembly	1	1	

Change Drum / Shift Fork



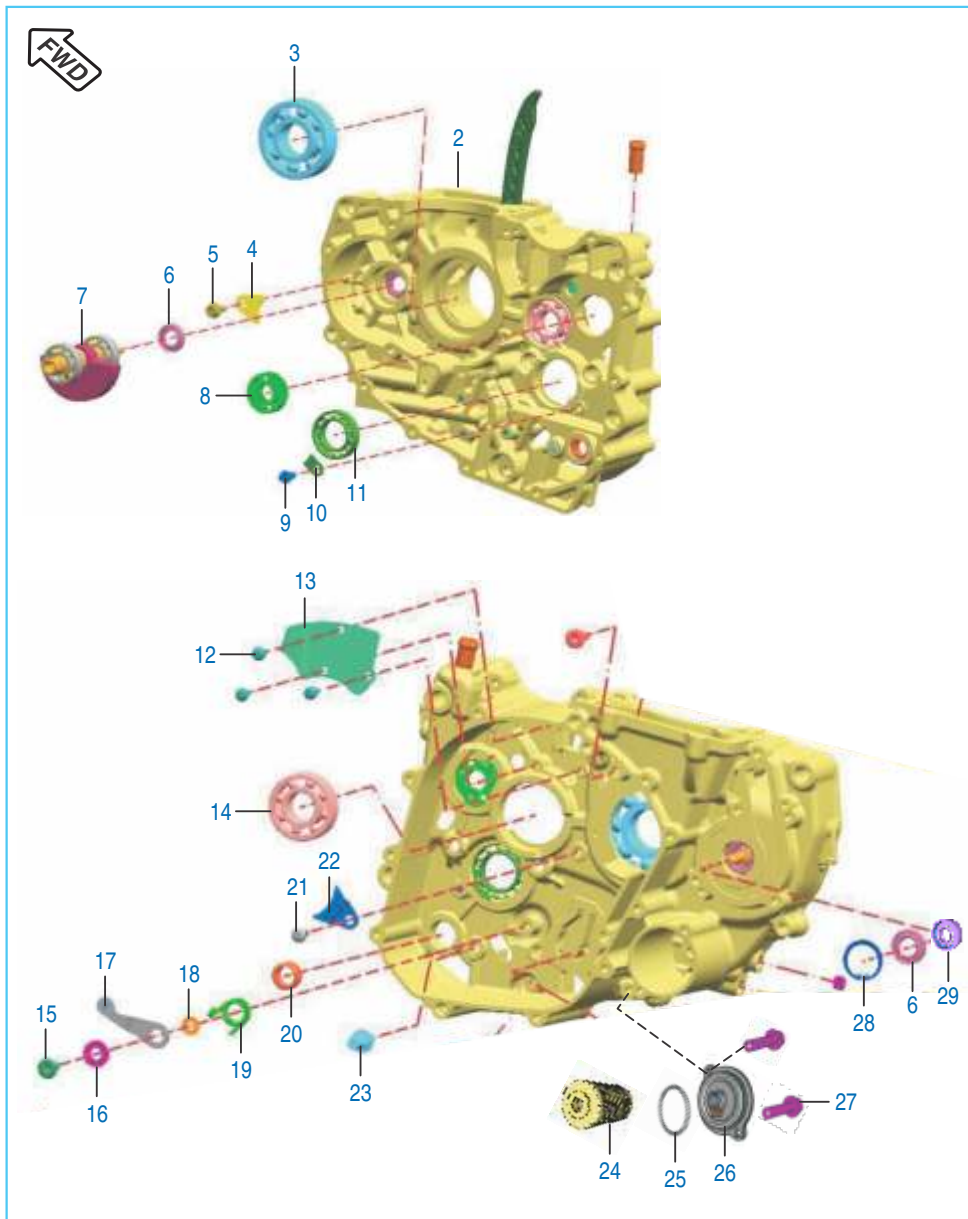
No.	Part No.	Description	Qty.		Remarks
			ABS	NON ABS	
1	JG 5610 11	Drum Complete Gear Shift	1	1	
2	EC 5610 23	Spring Gear Switch Indicator	1	1	
3	JG 5610 08	Gear Indicator Pin	1	1	
4	JG 5610 10	Spacer-Guide Gear Shift	1	1	
5	JG 5612 22	Guide Gear Shift	1	1	
6	LA C000 24	Bolt Socket Head M6X1X20L	1	1	
7	JG 5610 12	Fork Gear Shift Input	1	1	
8	JG 5610 13	Fork Gear Shift Output	2	2	
9	JG 5610 16	Shaft Gear Shift Fork	1	1	
10	JG 5612 25	Shaft Gear Shift Fork Output	1	1	
11	JG 5612 15	Compression Spring	2	2	

Gear Change Mechanism



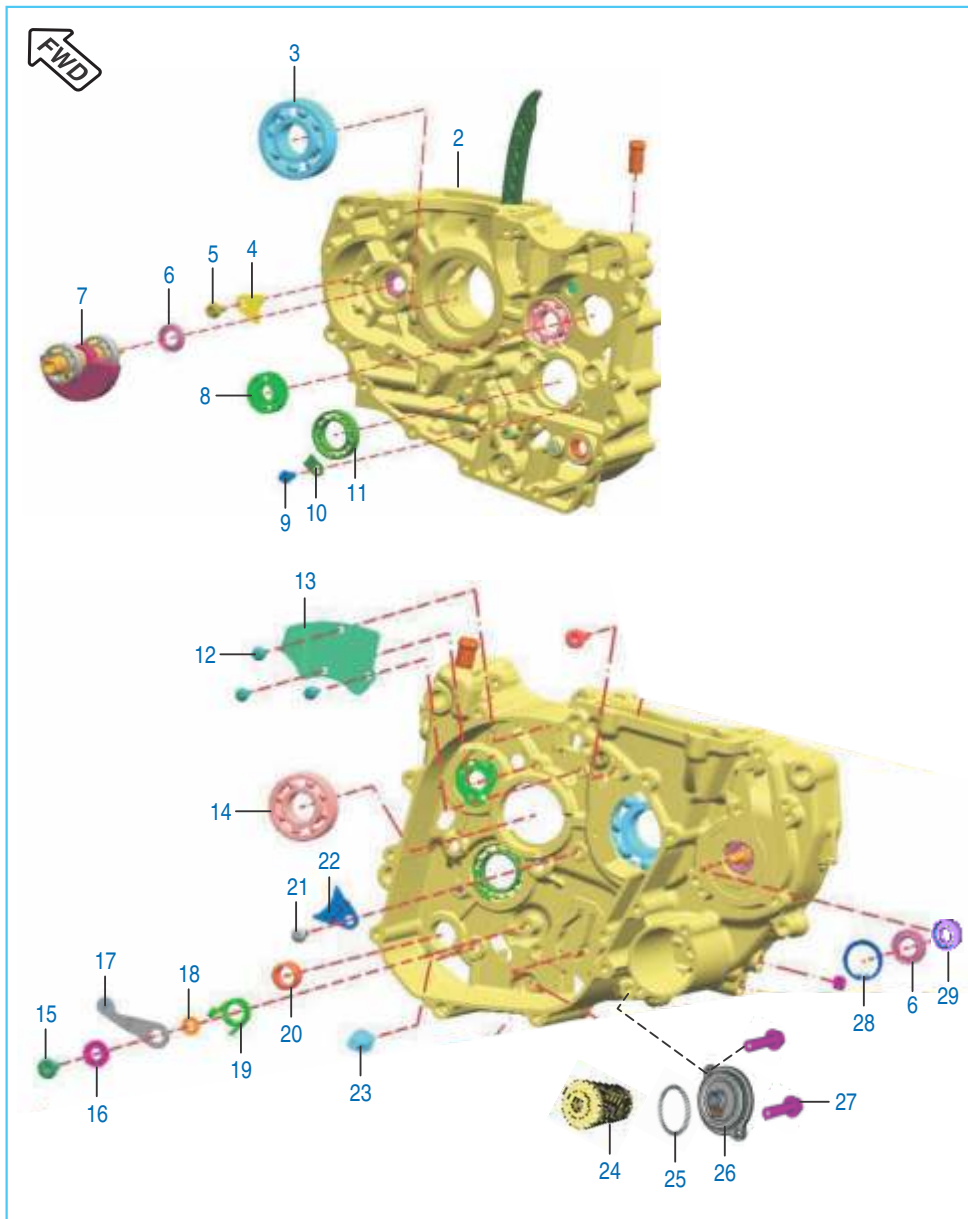
No.	Part No.	Description	Qty.		Remarks
			ABS	NON ABS	
1	DT 5612 06	Lever Gear Shift Assy Comp.	1	1	
2	JG 5612 15	Compression Spring	1	1	
3	JG 5612 32	Torsion Spring	1	1	
4	JG 5612 17	Bush-Torsion Spring	1	1	
5	JG 5612 16	Washer - Steel	1	1	
	JL 5614 10	Washer - Steel	1	1	
6	KA DM06 22	Bolt - Flange M6	1	1	
7	DT 5614 09	Assembly Lever Change Arm	1	1	
8	DK 1011 80	Assembly Tie Rod	1	1	
9	DT 5612 01	Lever Complete Change	1	1	
9A	DT 5614 08	Lever Complete Change	1	1	
10	DT 5612 05	Damper	1	1	
11	01 1100 05	'O' Ring	2	2	
12	JL 5614 09	Bolt Gear Change Lever	1	1	
13	LA C000 06	Bolt Socket M10 x 1.25 x 80	1	1	
14	LC B000 03	NUT (LM6 x 1)	1	1	

Engine Assembly / Crankcase RH



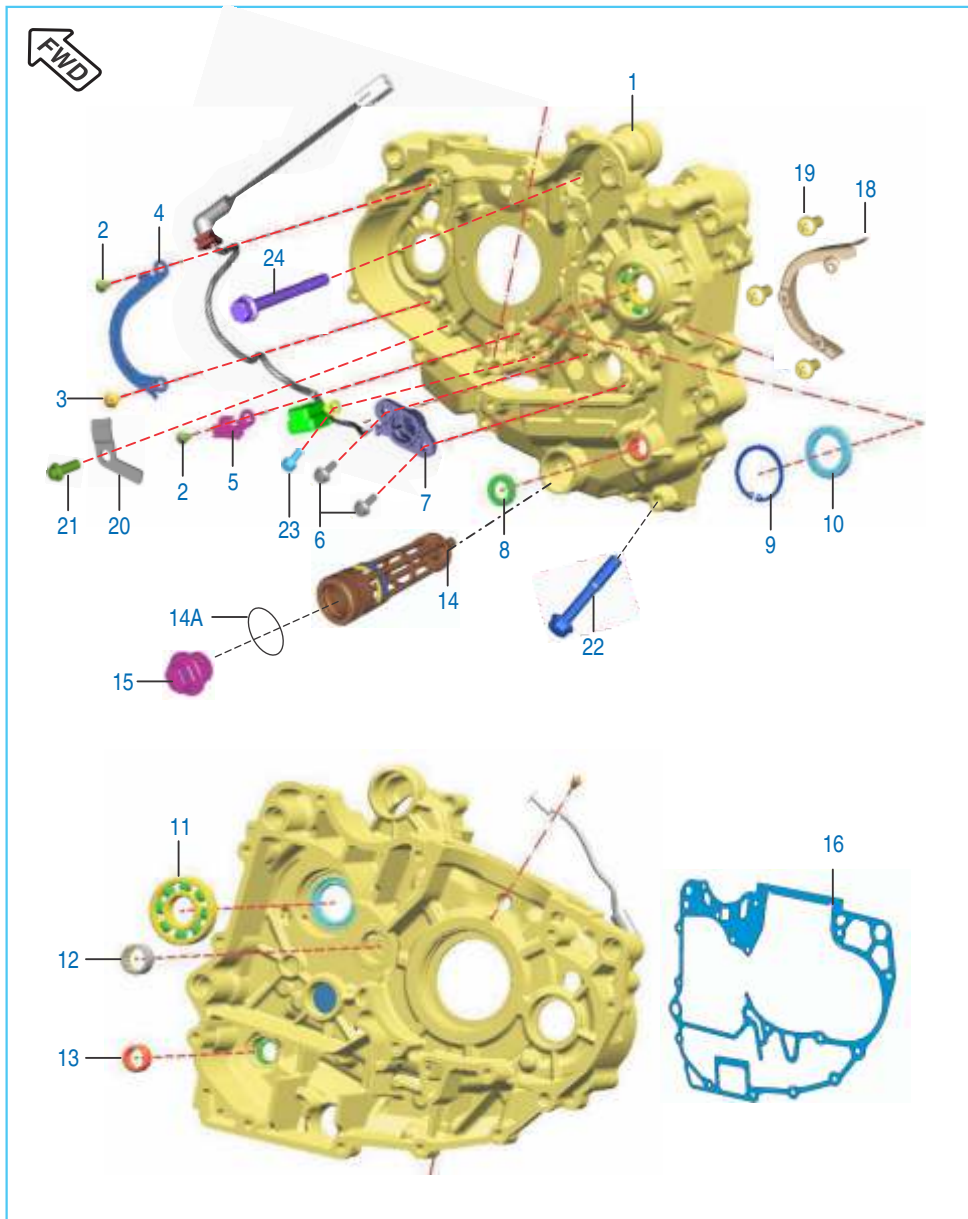
No.	Part No.	Description	Qty.		Remarks
			ABS	NON ABS	
1	DT 5010 20	Assembly Engine Complete	1	1	BS IV
2	36 JL00 95	Kit Asly Crankcase RH	1	1	Refer Kit List
3	39 1931 20	Ball Bearing 28 X 68 X 18	1	1	
5	LA D000 77	Bolt Flanged M6x16	1	1	
4	JG 5410 46	Balancer Bearing Stopper	1	1	
6	JG 6010 07	Special Shaft Seal Ring (oil)	2	2	
7	JL 5312 05	Balancer Assembly	1	1	
8	39 2602 20	Bearing - Ball 6202/HN3	1	1	
9	AA 1014 37	Bolt Pre - Coated	1	1	
10	JG 5410 59	Plate Stopper Bearing Drum	1	1	
11	39 2601 20	Bearing - Ball 61905	1	1	(25 x 42 x 9)
12	LB B000 06	Screw Pan head	3	3	
13	JU 5410 05	Breather Plate	1	1	
14	59 2000 28	Bearing Ball RH	1	1	
15	JG 5612 04	Bolt Drum Stopper	1	1	
16	JG 5612 05	Washer	1	1	
17	JG 5610 09	Stopper Drum Complete	1	1	
18	39 2005 11	Washer	1	1	
19	JG 5612 26	Spring	1	1	
20	39 2562 20	Bearing - Needle Roller	1	1	13 x 19 x 12

Engine Assembly / Crankcase RH



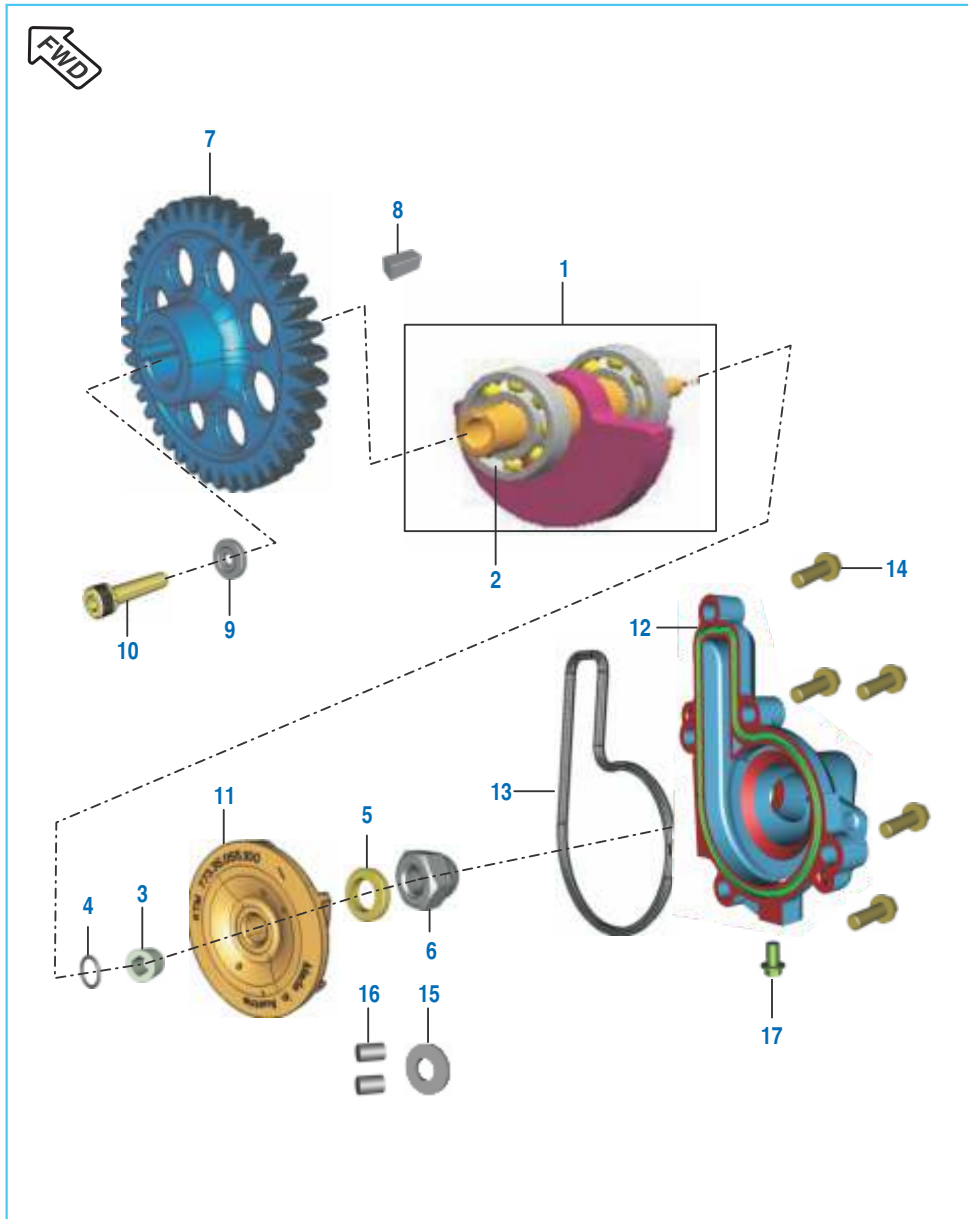
No.	Part No.	Description	Qty.		Remarks
			ABS	NON ABS	
21	39 0746 01	Screw Pan Cross - M6	1	1	
22	JG 5410 45	Input Shaft Bearing Stopper	1	1	
	JY 5410 47	Stopper I/P Shaft Bearing	1	1	
23	DP 1011 91	Bolt Shifter	1	1	
24	JG 5710 14	Oil Filter	1	1	
25	JG 5710 16	O-Ring	1	1	
26	JL 5412 37	Cap Oil Filter	1	1	
	JL 5710 01	Cap Oil Filter	1	1	BS IV
27	LA D000 63	Bolt Flanged	2	2	
	KA EQ06 16	Bolt Flange Small	2	2	BS IV
28	LE B000 01	Circlip Internal	1	1	
29	JL 6010 10	Water Seal Double Lip	1	1	BS IV

Crankcase LH



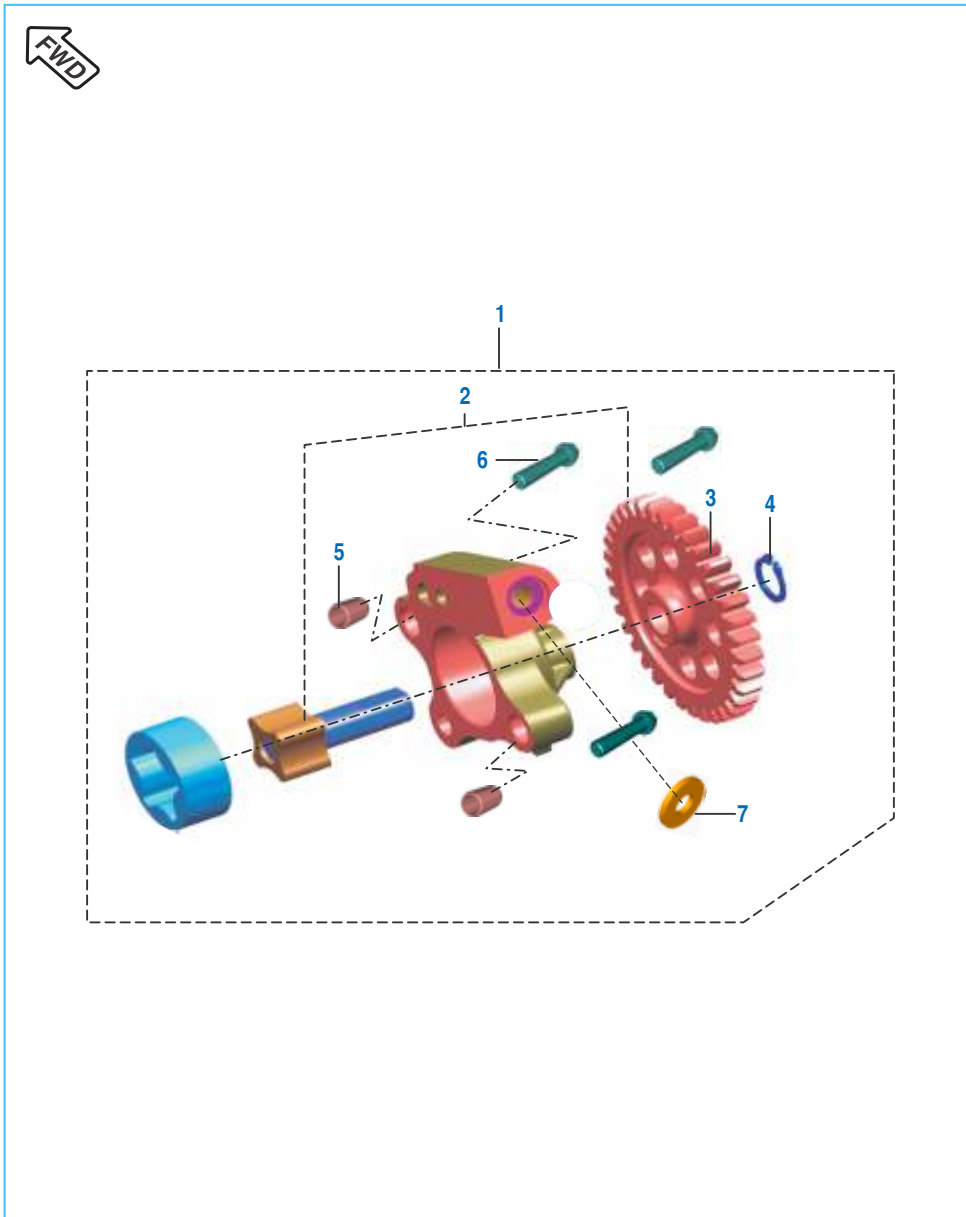
No.	Part No.	Description	Qty.		Remarks
			ABS	NON ABS	
1	36 JL00 94	Kit Assembly Crankcase LH	1	1	Refer Kit List
2	LA E000 14	Bolt Flanged	2	2	
3	DH 1013 81	Pre Coated pan Screw	1	1	
4	JG 5410 63	Bracket Harness Upper	1	1	
	JU 5410 18	Bracket Harness Upper	1	1	
5	JG 5410 44	Bracket Harness Lower	1	1	
6	39 1773 04	Bolt M-5 x 16	2	2	
7	DT 3518 02	Neutral Indication Switch with	1	1	Pickup Coil
8	39 1043 19	Seal Oil	1	1	Gear Change lever
9	KE BA37 15	Circlip Internal	1	1	Output Shaft
10	DG 1014 56	Seal Oil	1	1	Output Shaft
11	59 2000 06	Bearing Ball	1	1	Output Shaft
12	JG 5410 15	Needle Bearing	1	1	Drum
13	39 2562 20	Needle Bearing	1	1	
	BF 5610 20	Bearing Plain	1	1	
14	JY 5710 30	Mesh Oil Filter Assembly	1	1	
14A	LJ A000 04	'O' Ring Strainer	1	1	
	59 2100 23	O - Ring	1	1	
15	JA 5410 48	Strainer Cap with 'O' Ring	1	1	
	JA 5410 21	Cap Strainer			
16	JG 5410 41	Gasket Crankcase	1	1	
17	36 DT00 08	Kit Engine Gasket	1	1	Refer Kit List
18	JG 5410 58	Chain Guard	1	1	
19	KB BG06 12	Pan Head Screw	3	3	
	LB B000 07	Screw Pan Cross M6x1xL12	4	4	
20	JG 5410 43	Retainer Gear Starter	1	1	
21	LA E000 42	Bolt Flange M6x1xL16	1	1	
22	KA EQ06 40	Bolt Flange Small M6x1xL40	10	10	
23	LA E000 10	Bolt Flange M5 x 13L	2	2	
24	LA D000 81	BOLT FLANGED	4	4	BS IV

Balancer Idler Gear / Water Pump



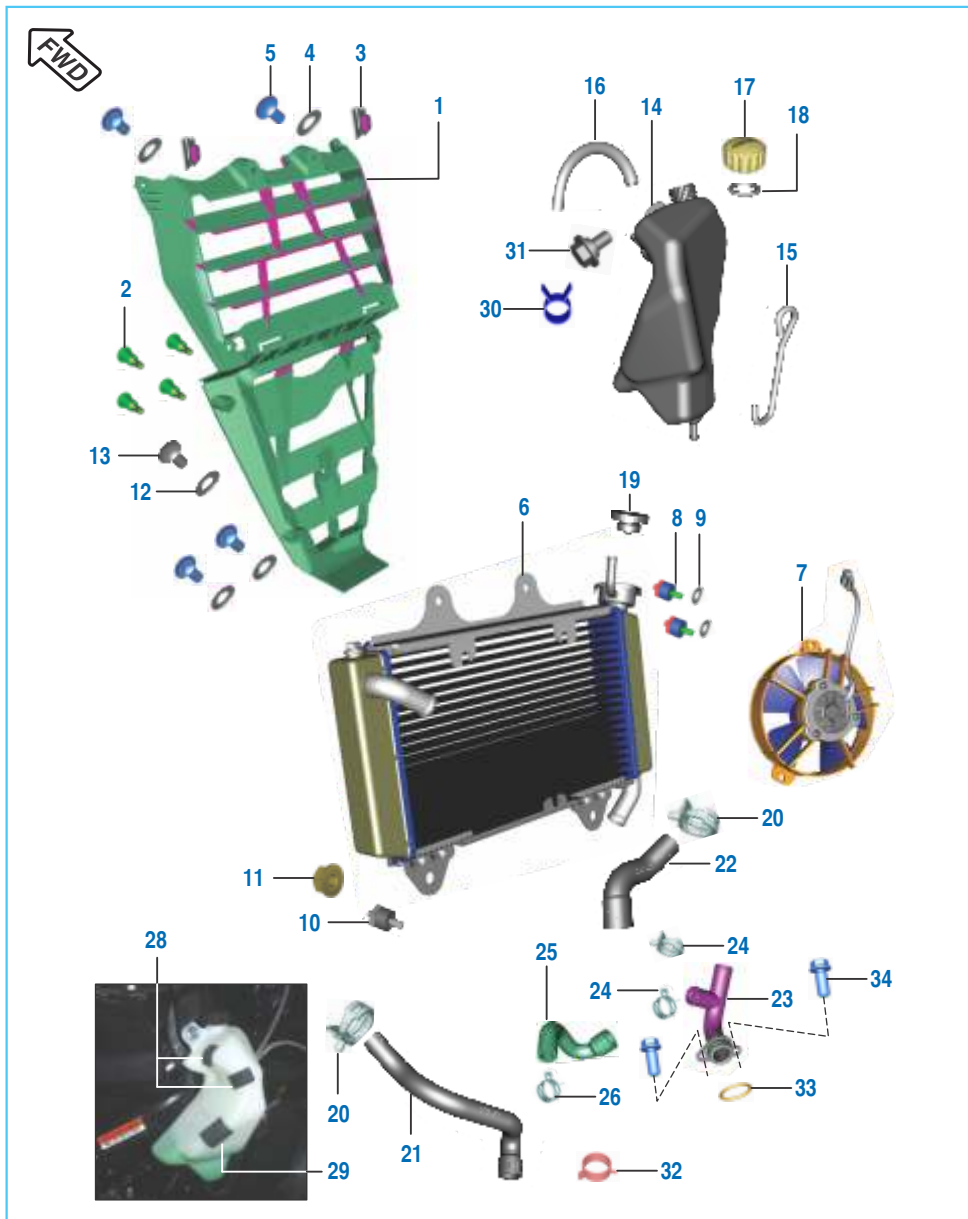
No.	Part No.	Description	Qty.		Remarks
			ABS	NON ABS	
1	JL 5312 05	Assembly Balancer Integral	1	1	
2	59 2000 36	Balancer Bearing	2	2	
3	JG 5312 28	Sleeve Balancer Driven	1	1	
	JL 5312 03	Sleeve Balancer Driven	1	1	
4	JG 5312 29	O Ring Balancer Driven	1	1	
5	JG 5312 15	Washer (2.5MM)	1	1	
6	JG 6010 05	Dome Nut	1	1	
7	JG 5312 07	Gear Balancer Driven	1	1	
8	DS 1011 54	Key	1	1	
9	DH 1010 48	Washer - Special Camshaft	1	1	
10	DK 1013 86	Pre-coated Soc Head Cap Bolt M8X40	1	1	
11	36 JL00 39	Kit Water Pump Rotor & Seal	1	1	
12	JL 6010 05	Cover Water Pump	1	1	
13	JG 6010 12	O-Ring (Water Pump Cover)	1	1	
14	KA EQ06 20	Bolt Hexagonal	5	5	
15	39 1665 11	Washer - Seal	1	1	
16	39 2606 07	Pin - Parallel	2	2	
17	LA E000 17	Bolt Flanged	1	1	

Oil Pump



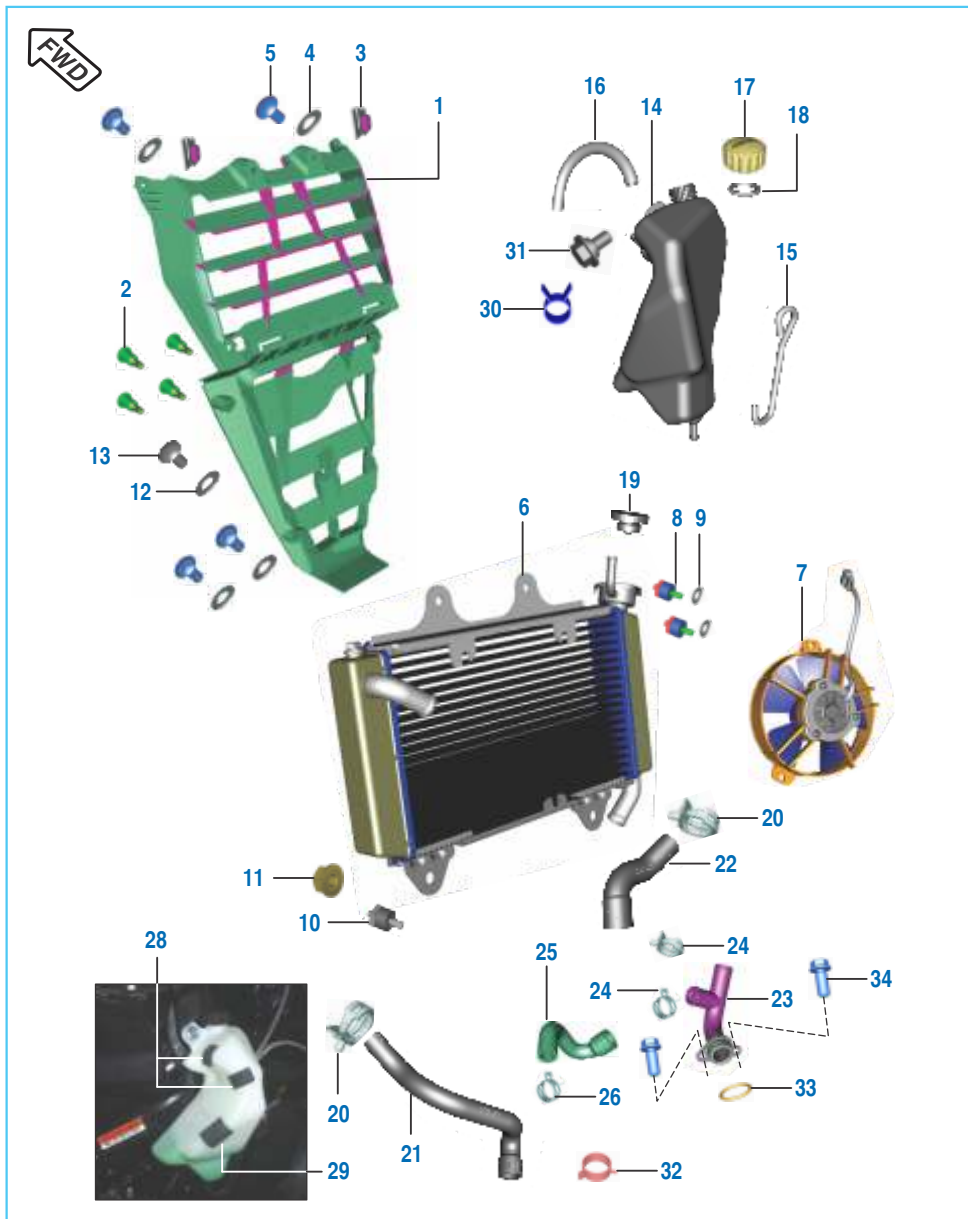
No.	Part No.	Description	Qty.		Remarks
			ABS	NON ABS	
1	JU 5710 00	Oil Pump Assy Comp	1	1	Refer Kit List
2	36 JG00 04	Shaft Oil Pump Assy	1	1	
3	JG 5710 18	Gear Oil Pump Drive	1	1	
4	KE AB10 10	Circlip	1	1	
5	39 0999 06	Pin - Hollow Dowel	2	2	
6	LA E000 18	Bolt Flanged M6X1X30L	3	3	
7	JG 5090 03	Washer Plain	1	1	

Radiator



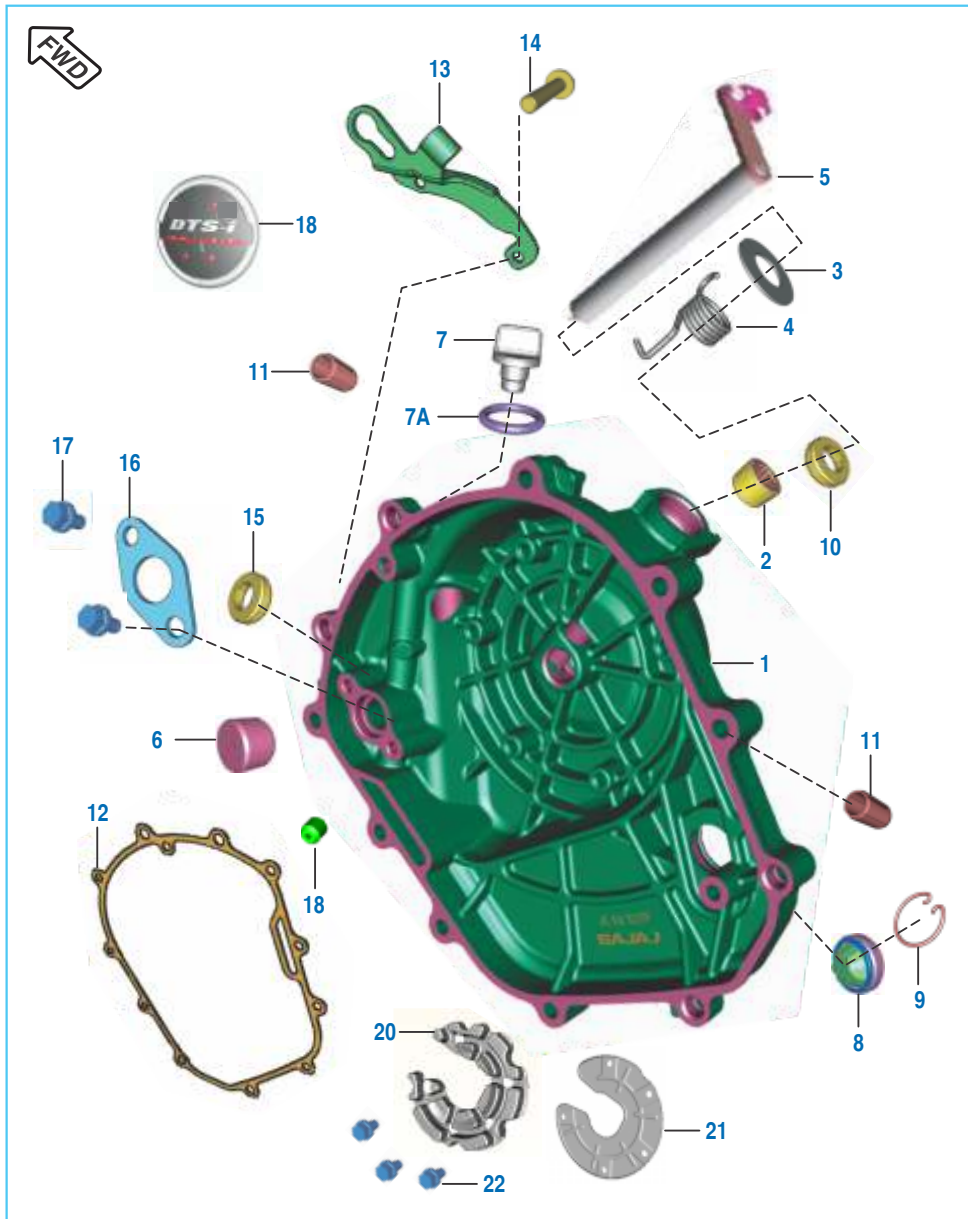
No.	Part No.	Description	Qty.		Remarks
			ABS	NON ABS	
1	DT 1810 01	Cowl Radiator	1	1	
2	DT 1810 28	Plug Push Pull	4	4	
3	DJ 1612 29	Nut - Clip M6	4	4	
4	39 2141 24	Washer Nylon	4	4	
5	LB U000 23	Screw	4	4	
6	DT 6012 32	Radiator Core	1	1	
7	JG 6012 37	Radiator Fan	1	1	
8	JL 6012 16	Silent Block	2	2	
9	39 0211 11	Washer	2	2	
10	JG 5810 14	Silent Block	2	2	
11	39 2711 15	Nut Flanged	2	2	
12	KD BC06 13	Washer Plain	1	1	
13	KB UB06 12	Screw Truss	1	1	
	KB UF06 12	Screw Truss	1	1	BS IV
14	DT 6012 26	Expansion Tank	1	1	
15	DT 6012 28	Tube Connecting	1	1	
16	DT 6012 10	Tube Drain	1	1	
17	JG 6012 11	Cap Expansion Tank	1	1	
18	JG 6012 30	O-Ring Cap	1	1	
19	JG 6012 35	Radiator Cap	1	1	
20	JG 6012 34	Clamp	2	2	

Radiator



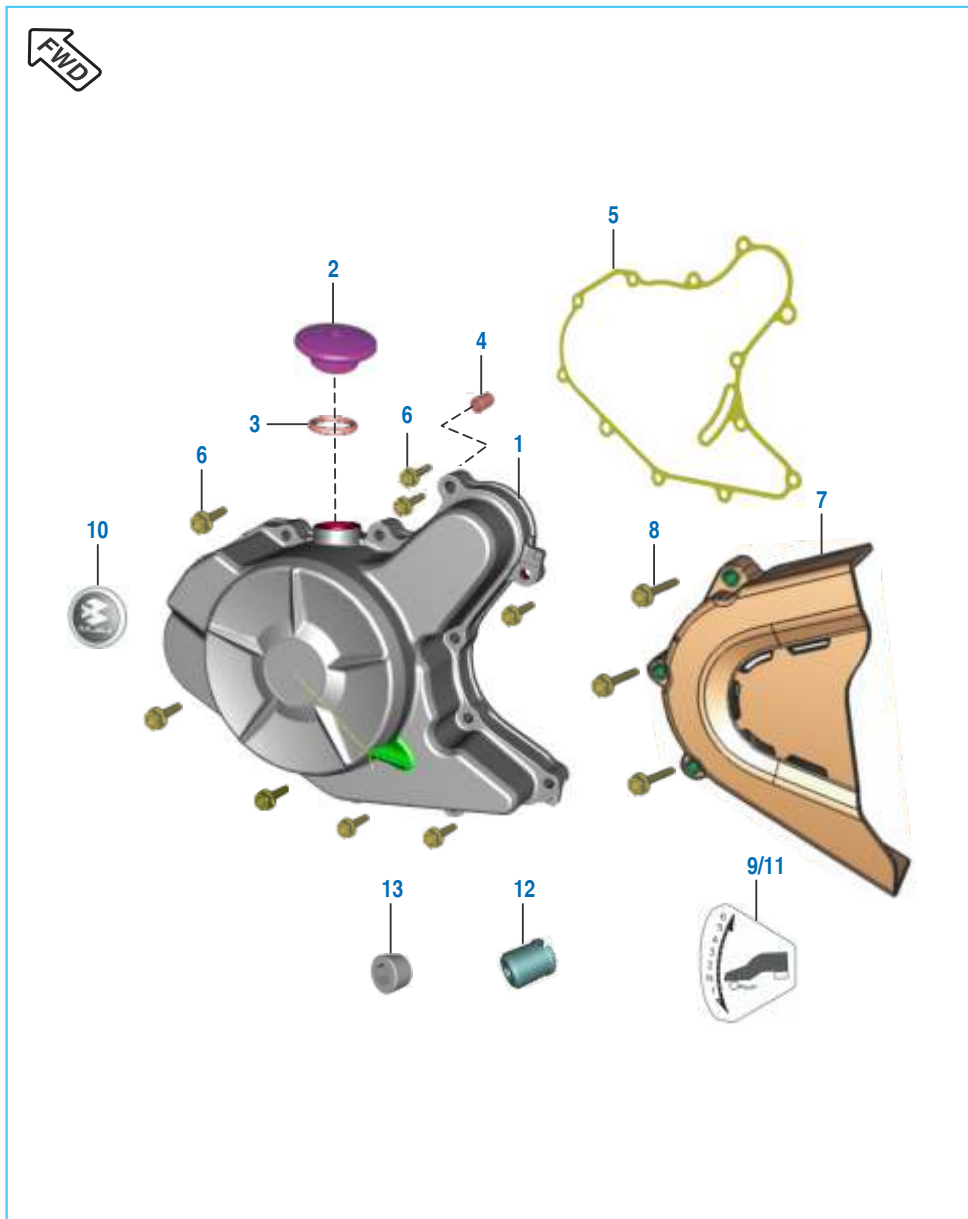
No.	Part No.	Description	Qty.		Remarks
			ABS	NON ABS	
21	JL 6012 22	Hose Thermosat to Radiator	1	1	
22	JL 6012 23	Hose Radiator to T pipe	1	1	
23	JL 6012 28	Coolant Pipe T Assembly	1	1	
24	JG 6012 09	Clamp Radiator Pipe	2	2	
25	JL 6012 19	Hose Coolant (Block To Pump)	1	1	
26	JL 6012 12	Clamp Radiator	1	1	
27	36 DT00 01	Kit Hardware R Cowl & Fairing	1	1	
28	DJ 1811 26	Foam Pad (25X15X2)	2	2	
29	JK 4018 01	Foam Pad (25X30X2)	1	1	
30	JG 1710 29	Spring Band Clamp 11.5 x 8.4	3	3	
31	JG 1812 50	Step Bolt	1	1	
32	JL 6012 21	Clamp Coolant Pipe	1	1	
33	LJ A000 05	Pipe Coolant "T" O - Ring	1	1	
34	LA E000 41	Bolt Flanged	2	2	BS IV

Cover Clutch



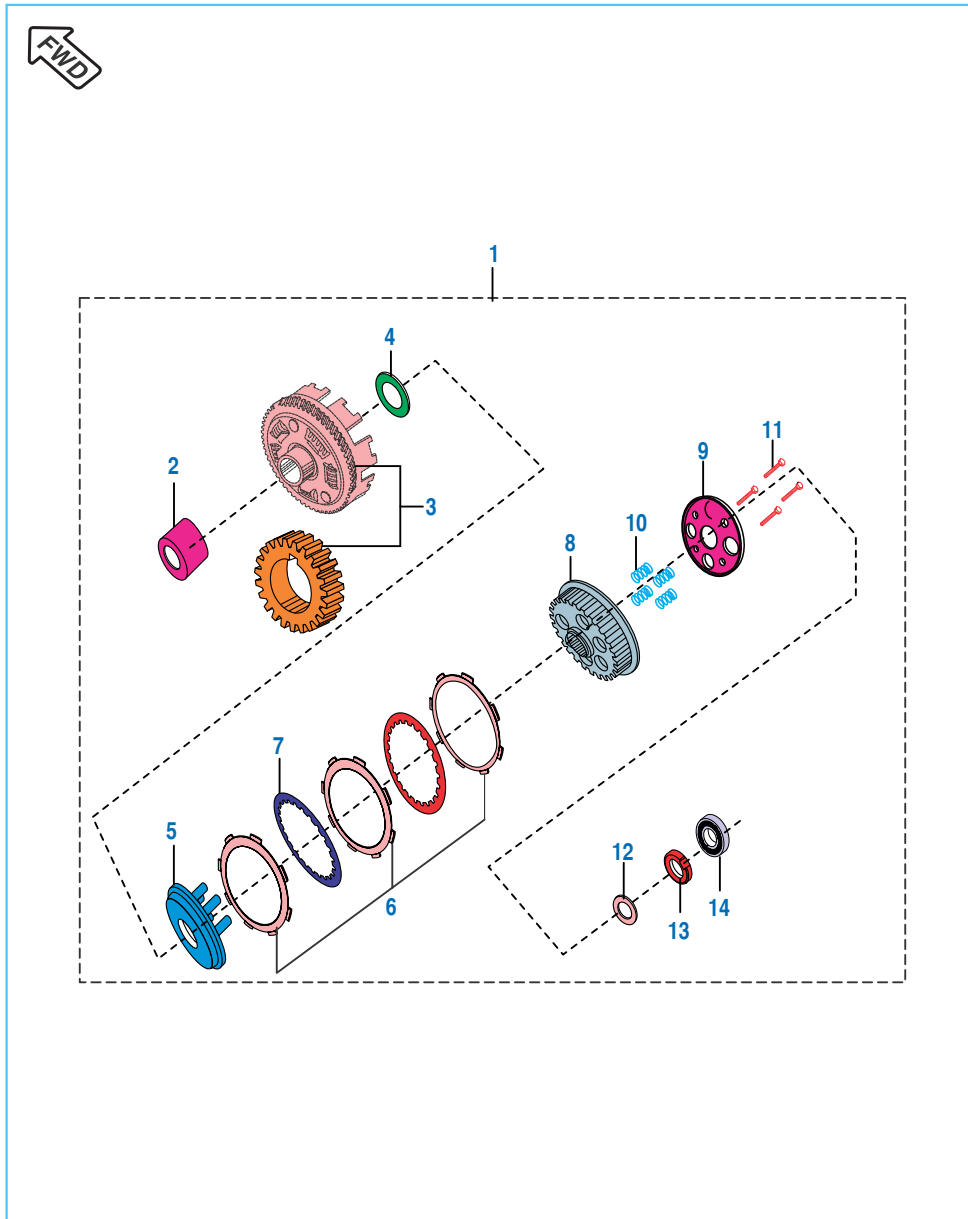
No.	Part No.	Description	Qty.		Remarks
			ABS	NON ABS	
1	DT 5412 12	Clutch Cover With Oil Plug	1	1	
	52 JL08 92	Assly Clutch Cover Complete	1	1	Slate Gray
2	39 1990 20	Bearing - Needle	1	1	
3	LD B000 20	Washer 12.5X24X0.8T	1	1	
4	JG 5510 17	Spring	1	1	
5	DT 5410 19	Shaft Clutch Release Assy	1	1	
6	JU 5514 01	Rod Push	1	1	
7	JG 5412 30	Cap Oil Filling	1	1	
7A	39 1537 21	Ring 'O'	1	1	
8	JL 5412 27	Window Oil Gauge	1	1	
9	DS 1012 15	Clip - Wire	1	1	
10	39 1041 19	Seal - Oil	1	1	N.I.
11	39 0999 06	Pin - Hollow Dowel	2	2	
12	JL 5412 07	Gasket Clutch Cover	1	1	
13	DT 5410 18	Bracket Clutch Cable	1	1	
14	KA EQ06 30	Bolt Flanged	11	11	
15	39 1046 19	Seal - Oil	1	1	
16	JG 5412 31	Plate -position	1	1	
17	AA 1014 37	Bolt Pre - Coated	2	2	
18	JL 5412 22	Decal Triple Spark	1	1	
19	JL 5412 18	Jet Oil Clutch Cover	1	1	N.I.
20	JL 5412 30	Damper Clutch Cover	1	1	
21	JL 5412 31	Plate Damper Clutch Cover	1	1	
22	DH 1013 88	Bolt Flange	5	5	

Cover Magneto



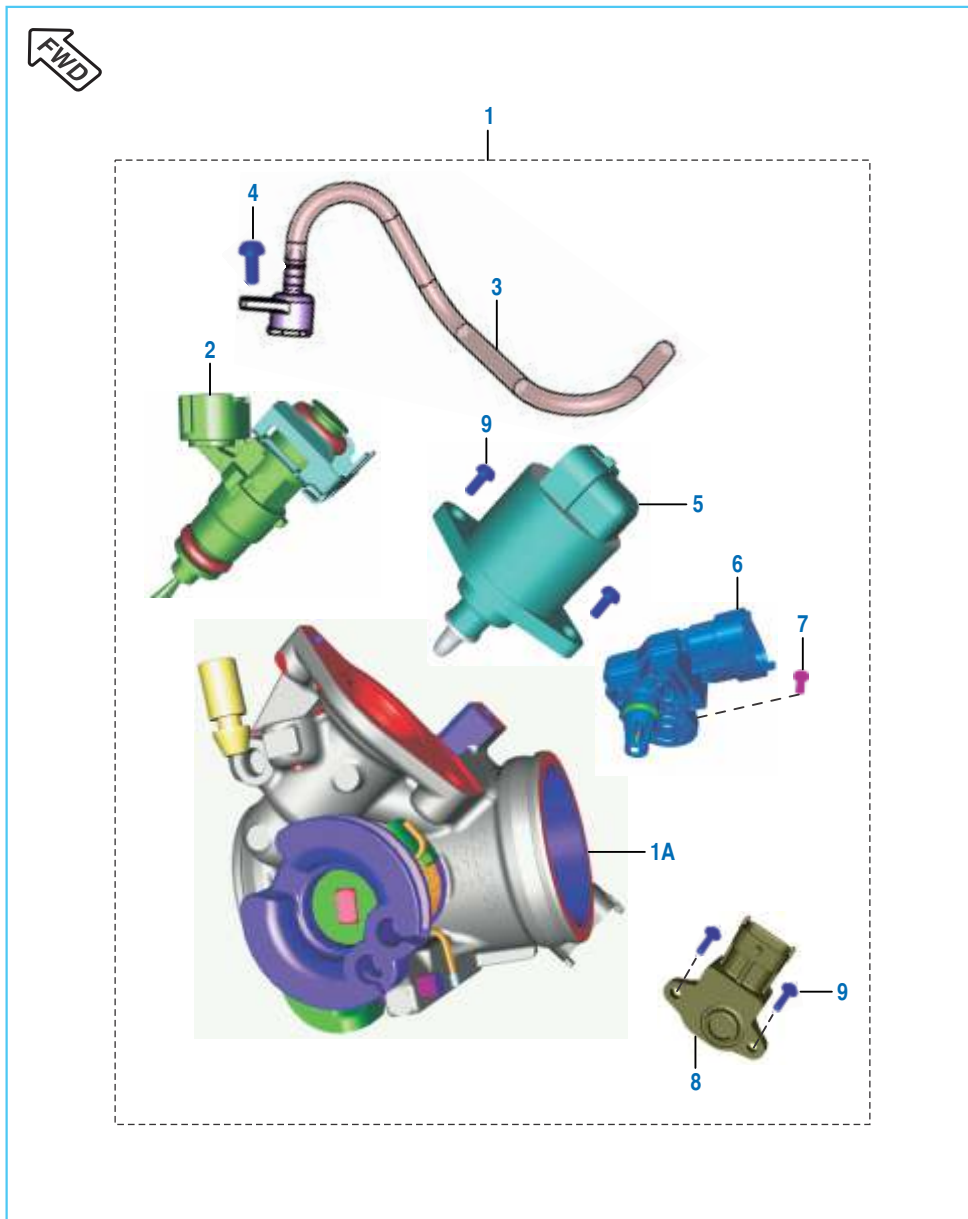
No.	Part No.	Description	Qty.		Remarks
			ABS	NON ABS	
1	DT 5412 06	Assembly Cover Magneto	1	1	Slate Gray
	52 DT04 54	Assembly Cover Magneto	1	1	
2	JA 5412 33	Cap TDC Finder	1	1	
3	30 1011 95	Ring - O	1	1	
4	39 0999 06	Pin - Hollow Dowel	2	2	
5	JL 5412 08	Gasket Magneto Cover	1	1	
6	KA EQ06 30	Bolt Flanged	9	9	
7	JL 5412 03	Cover LH RR	1	1	
8	KA EQ06 45	Hex Headed Bolt Flange	3	3	
9	JL 2330 15	Gear Shift Label	1	1	
10	JL 5412 23	Decal 'Bajaj logo'	1	1	
11	JL 2330 15	Gear Shift Label-6 Speed	1	1	
12	DT 5412 10	Jet Oil Stator	1	1	
13	BA 1020 04	Plug	1	1	

Clutch Assembly



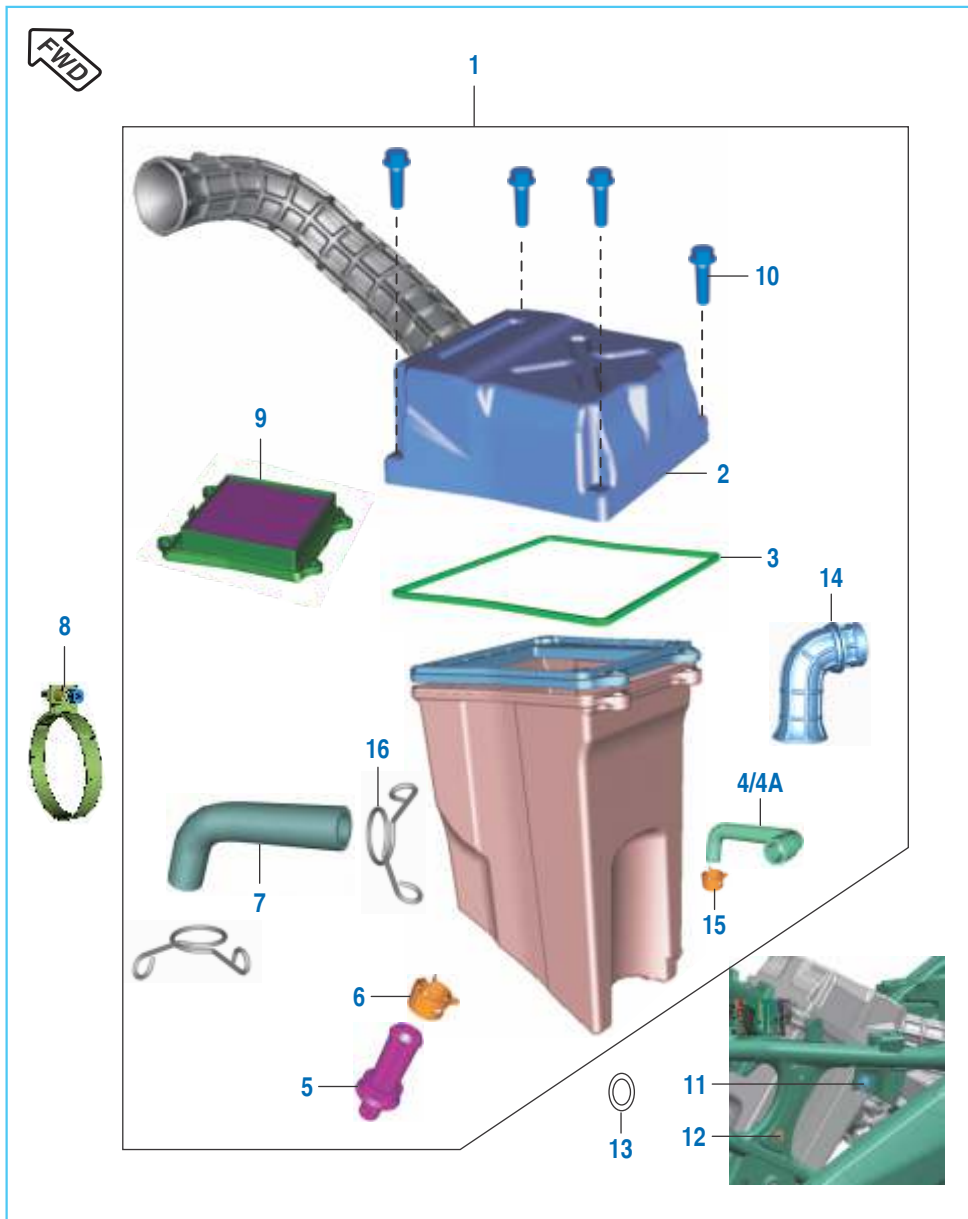
No.	Part No.	Description	Qty.		Remarks
			ABS	NON ABS	
1	DT 5514 09	Clutch Assy Comp	1	1	
2	JG 5514 27	Collared Bush	1	1	
3	36 DT00 33	Kit Primary Gear Drive+Driven	1	1	Refer Kit List
4	JG 5514 28	Washer Clutch	1	1	
5	DT 5514 02	Plate (Wheel Clutch)	1	1	
6	JG 5514 48	Friction Plate	4	4	
	JG 5514 55	Friction Plate	2	2	
7	JG 5514 47	Pressure Plate	5	5	
	DT 5514 08	Pressure Plate	5	5	BS IV
8	DT 5514 01	Clutch Center (Hub Clutch)	1	1	
9	JG 5514 43	Clutch Holder (Holder Clutch)	1	1	
10	DT 5514 03	Spring -Clutch	4	4	
11	JG 5514 51	Bolt 6*22	4	4	
12	JL 5514 07	Washer - Plain	1	1	
13	DH 1016 48	Nut Clutch Center Lock	1	1	
14	JG 5514 23	Clutch Lifter Bearing	1	1	

Throttle Body



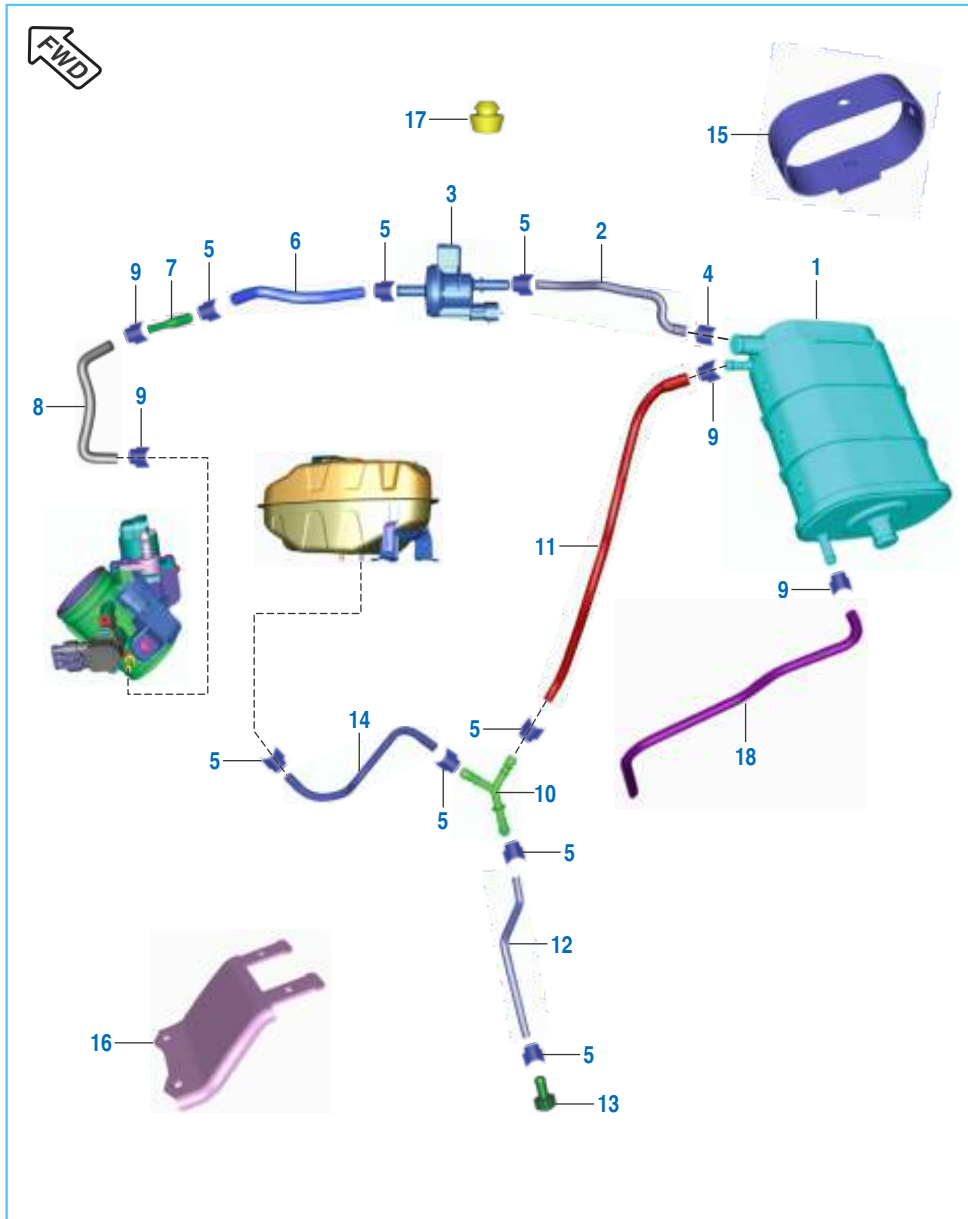
No.	Part No.	Description	Qty.		Remarks
			ABS	NON ABS	
1	DT 6112 02	Throttle Body Assy	1	1	
	DT 6112 10	Assembly Throttle Body EVAP	1	1	BS IV
1A	JU 5814 03	Throttle Body	1	1	
2	JG 6110 07	Fuel Injector	1	1	
3	DT 6112 03	Injector Cap	1	1	
	DT 6112 08	Injector Cap With Quick Conn.	1	1	BS IV
4	JG 5814 24	Fixing Screw	5	5	
5	JG 6112 06	Stepper Motor	1	1	
	JG 5814 21	Idler Adjuster (Stepper Motor)	1	1	BS IV
6	JG 3518 05	Sensor T MAP	1	1	
7	JG 5814 37	Fixing Screw	1	1	
8	JG 3518 04	Sensor Throttle Position	1	1	
	DT 3518 03	Sensor Throttle Position	1	1	BS IV
9	JG 5814 23	Fixing Screw M5x12	2	2	

Air Cleaner Complete



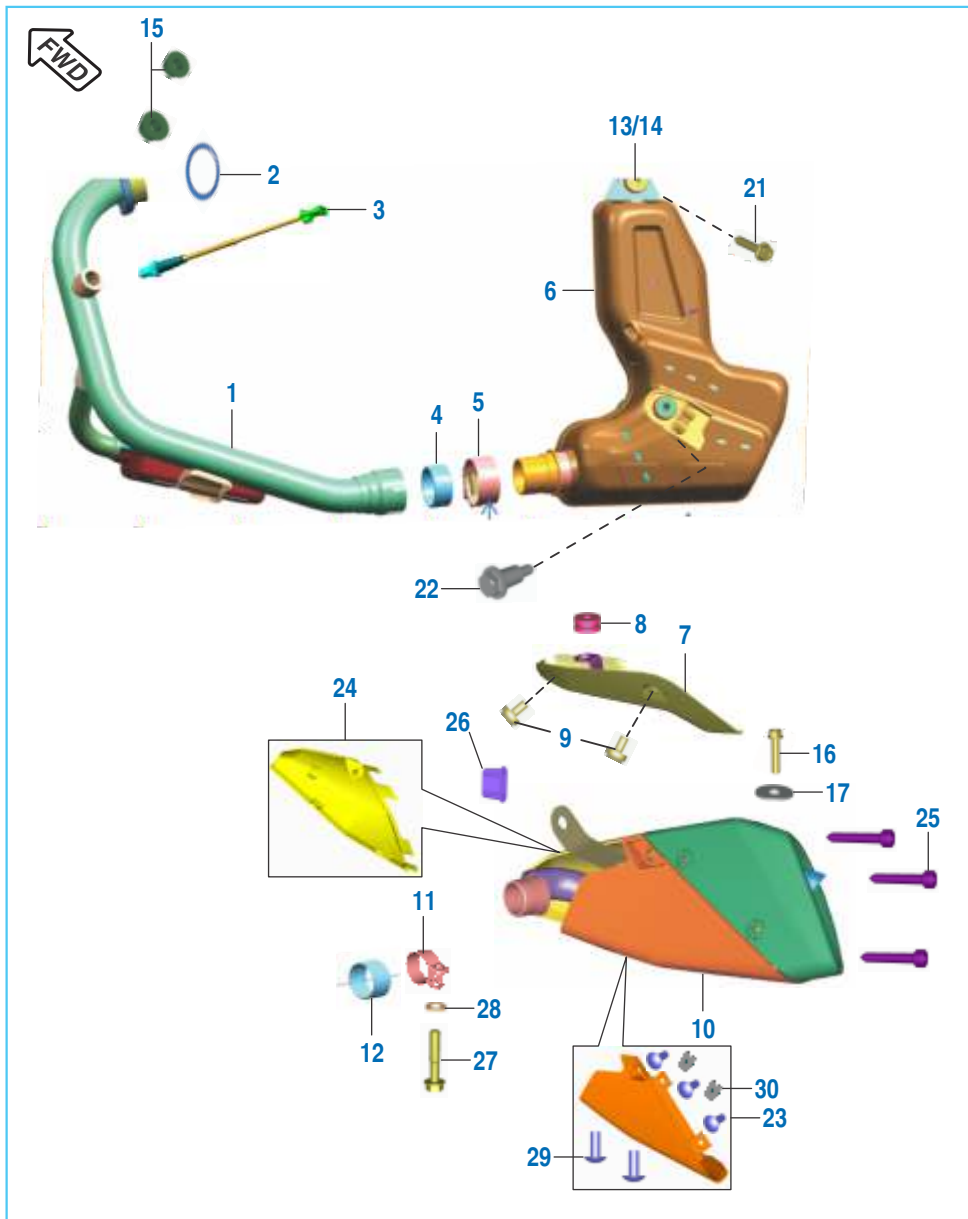
No.	Part No.	Description	Qty.		Remarks
			ABS	NON ABS	
1	DT 5810 64	Assembly Air Filter Fi	1	1	
2	DT 5810 63	Assembly Top Cover	1	1	
3	DT 5810 28	Seal Top Cover	1	1	
4	JL 5810 56	Assembly Drain Tube	1	1	
4A	JL 5810 55	Tube Drain	1	1	
5	DS 1211 26	Plug	1	1	
6	JG 5810 56	Clamp (Breather Tube)	1	1	
7	DT 5810 48	Breather Tube with Clamp	1	1	
	DT 5810 49	Breather Tube	1	1	BS IV
8	JU 5810 06	Clamps	2	2	
9	36 DT00 83	Kit air fil elemnt & cvr O ring	1	1	
10	KB UA06 30	Screw Truss	4	4	
11	KA EM06 10	Flange Bolt M6-10L	1	1	
12	KA DA06 30	Flange Bolt M6 33L	1	1	
	KA DM06 10	Bolt Flanged	1	1	BS IV
13	39 0239 11	Washer	2	2	
14	JL 5810 46	Tube Connecting	1	1	
15	DG 1210 02	Clamp (Hose C'Case Breather)	1	1	
16	JY 5810 28	Clamp	2	2	BS IV

EVAP Mechanism



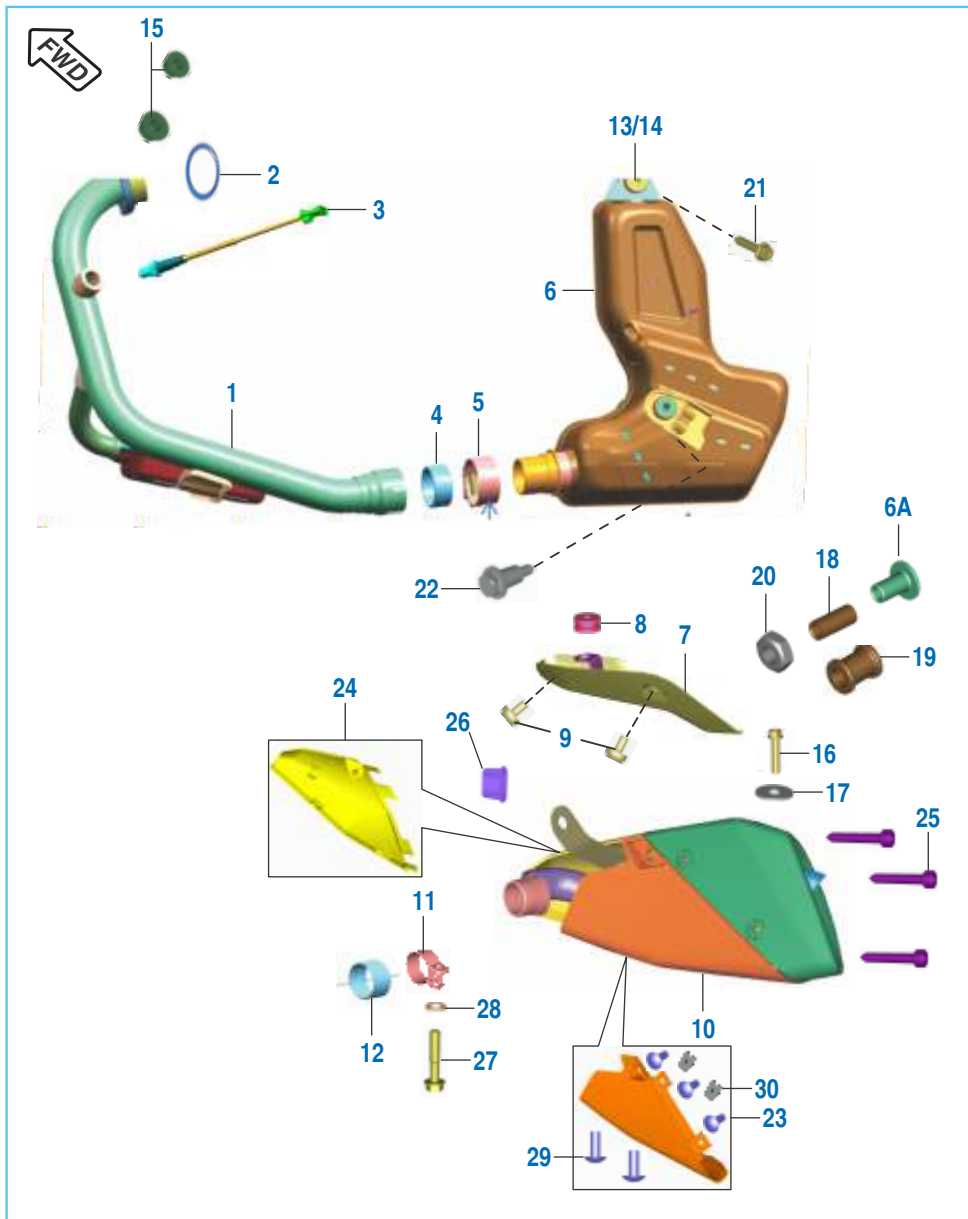
No.	Part No.	Description	Qty.		Remarks
			ABS	NON ABS	
1	JY 1710 77	Canister	1	1	
2	DT 1718 34	Tube Canister To Purge Valve	1	1	
3	JG 1716 01	Valve Purge	1	1	
4	JY 1710 69	Spring Band Clamp 15 x 10	1	1	
5	JY 1710 90	Spring Band Clamp 13 x 12	8	8	
6	DT 1710 74	Tube Purge Valve To Connector	1	1	
7	JG 1710 86	Connector Tube EVAP	2	2	
8	DT 1718 47	Tube Connector To Throttle Body	1	1	
9	JY 1710 70	Spring Band Clamp 9 x 8.4	4	4	
10	JY 1138 42	Connector Y Shape	1	1	
11	DT 1718 46	Tube Y Connector To Canister	1	1	
12	JF 1716 07	Tube Connector To Plug	1	1	
13	JY 1718 25	Plug Fuel Drain	1	1	
14	JL 1718 36	Tube Tank To Y Connector	1	1	
15	JZ 1710 55	Strap Canister	2	2	
16	DT 1138 41	Bracket Canister Mounting	1	1	
17	JD 1710 59	EVAP Cap Rubber Bush Sealing	1	1	
18	JF 1718 07	Tube Canister Drain	1	1	

Silencer Assembly



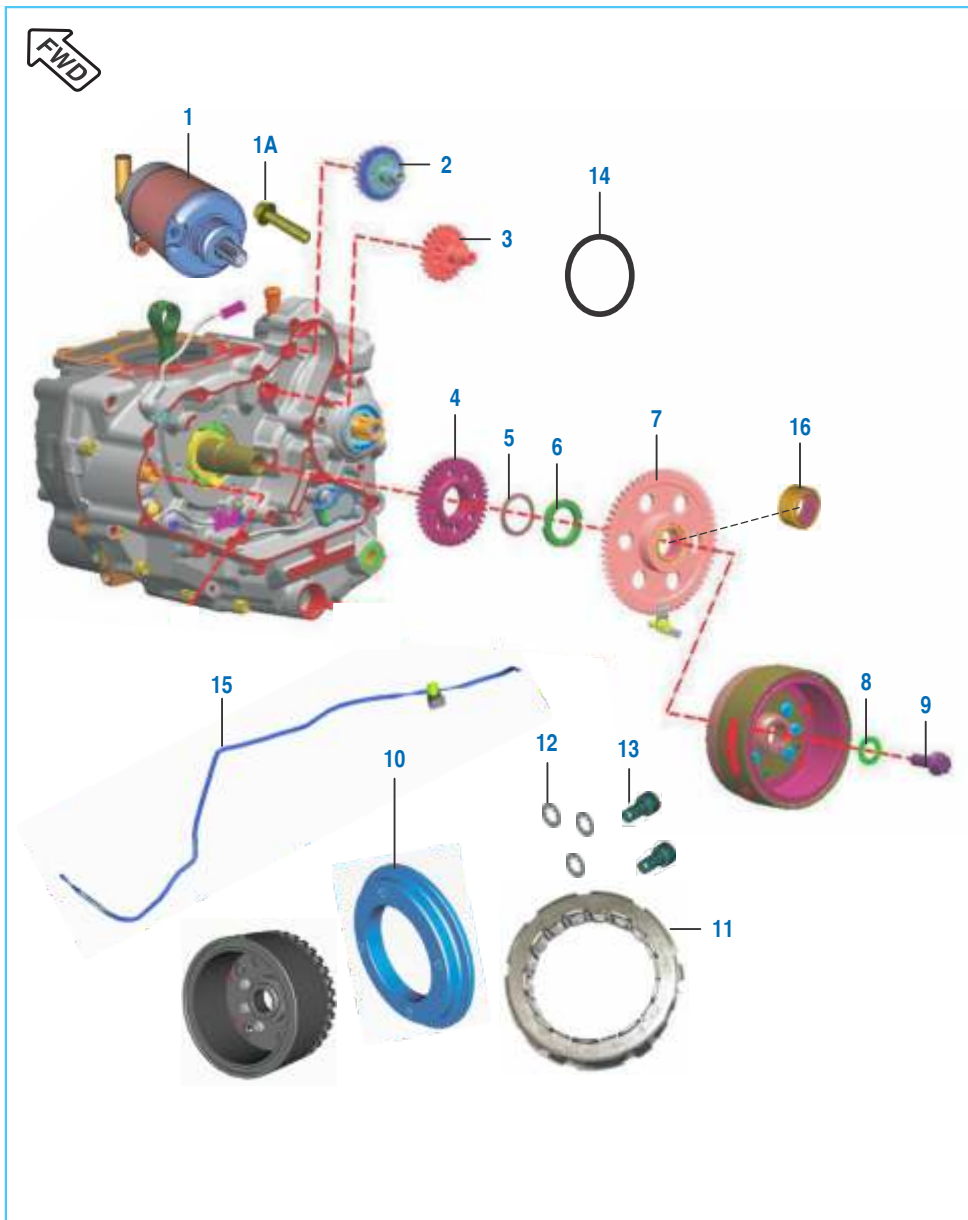
No.	Part No.	Description	Qty.		Remarks
			ABS	NON ABS	
1	DT 5912 30	Assembly Pipe A Exhaust	1	1	
2	JG 5910 70	Gasket Exhaust	1	1	
3	JG 5110 10	O2 Sensor	1	1	
4	JG 5910 38	Band Clip	1	1	
5	JG 5910 39	Gasket Muffler Pipe-a	1	1	
6	DT 5912 38	Muffler Assembly Comp	1	1	
6A	JL 5911 57	Sleeve Bottom	2	2	
7	DT 5911 16	Assembly Heat Shield	1	1	
8	DT 5911 18	Grommet Heat Shield	1	1	
9	PD 5911 01	Truss Screw	2	2	BS IV
10	52 DT01 53	Assembly End Chamber	1	1	
11	DT 5910 72	Band Clip End Chamber	1	1	
12	JL 5910 45	Spacer Pipe A Proto 1	1	1	
13	JL 5911 65	Damper Silencer Mtg. Lower	4	4	
14	JL 5911 56	Sleeve Top	4	4	
15	LC G000 06	Nut Hex	2	2	
16	39 1850 04	Bolt Socket	1	1	
17	39 2425 11	Washer	2	2	

Silencer Assembly



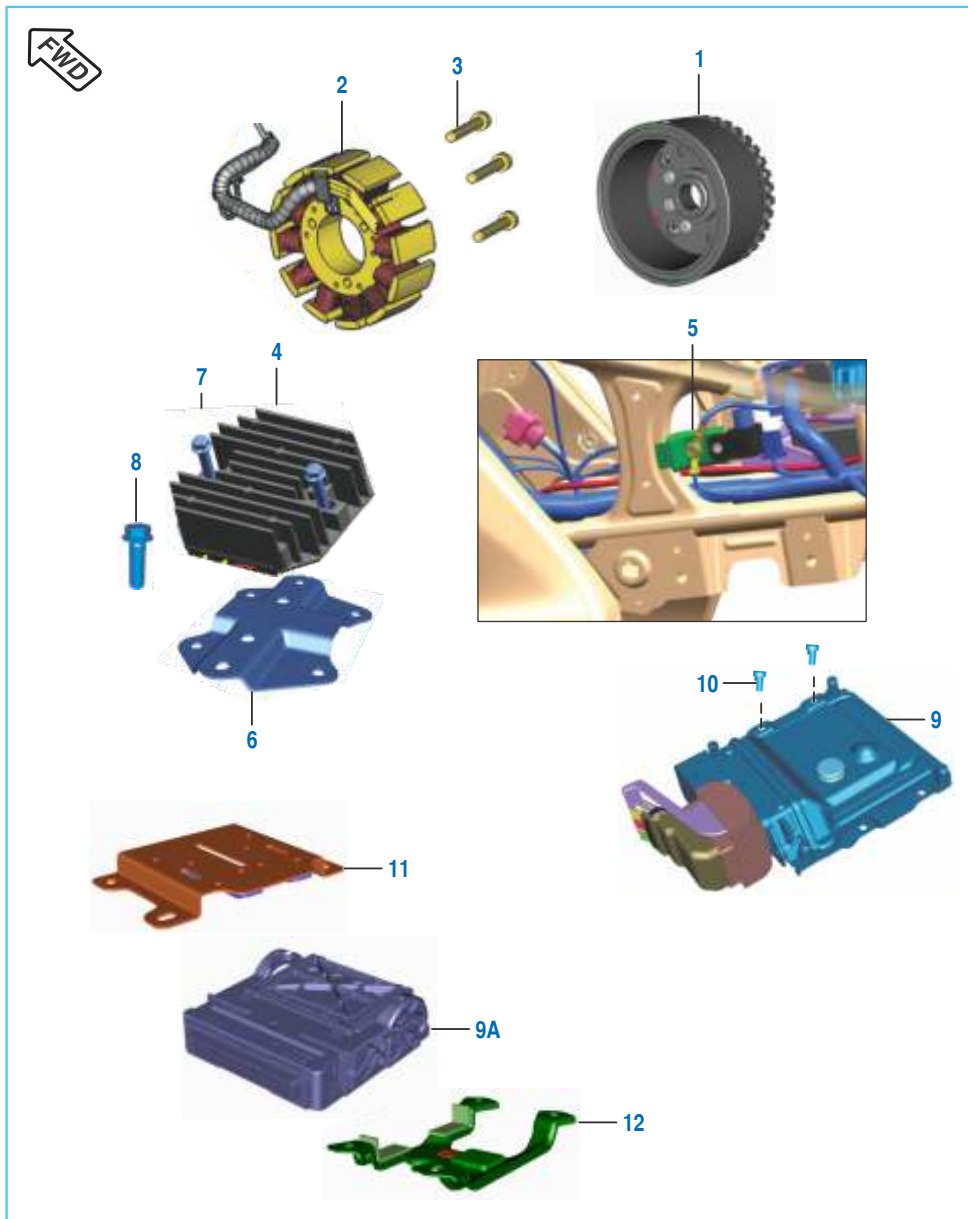
No.	Part No.	Description	Qty.		Remarks
			ABS	NON ABS	
18	DH 1611 57	Tube Silencer Mtg.	1	1	
19	DH 1611 55	Damper Silencer	1	1	
20	DD 1610 71	U nut M10	1	1	
21	JL 5911 48	Bolt Flange	2	2	
	KA DA06 35	Bolt Flanged	2	2	BS IV
22	KA DA06 30	Bolt M6x30	2	2	
23	DT 5911 31	Chamber LH	1	1	BS IV
24	DT 5911 32	Chamber RH	1	1	BS IV
25	LA C000 62	Bolt Socket M5 x 0.8 x L33	3	3	TAPER END
26	JG 5910 68	Rubber Bush G2	1	1	
27	LA D000 36	Bolt Flanged M8x1.25xL43	1	1	
28	LD A000 09	Washer Plain	1	1	
29	LB U000 22	Screw Truss	5	5	BS IV
30	DJ 1810 65	Clip Nut	2	2	BS IV
31	DT 5911 33	Cap End Chamber	1	1	

Starter Assembly



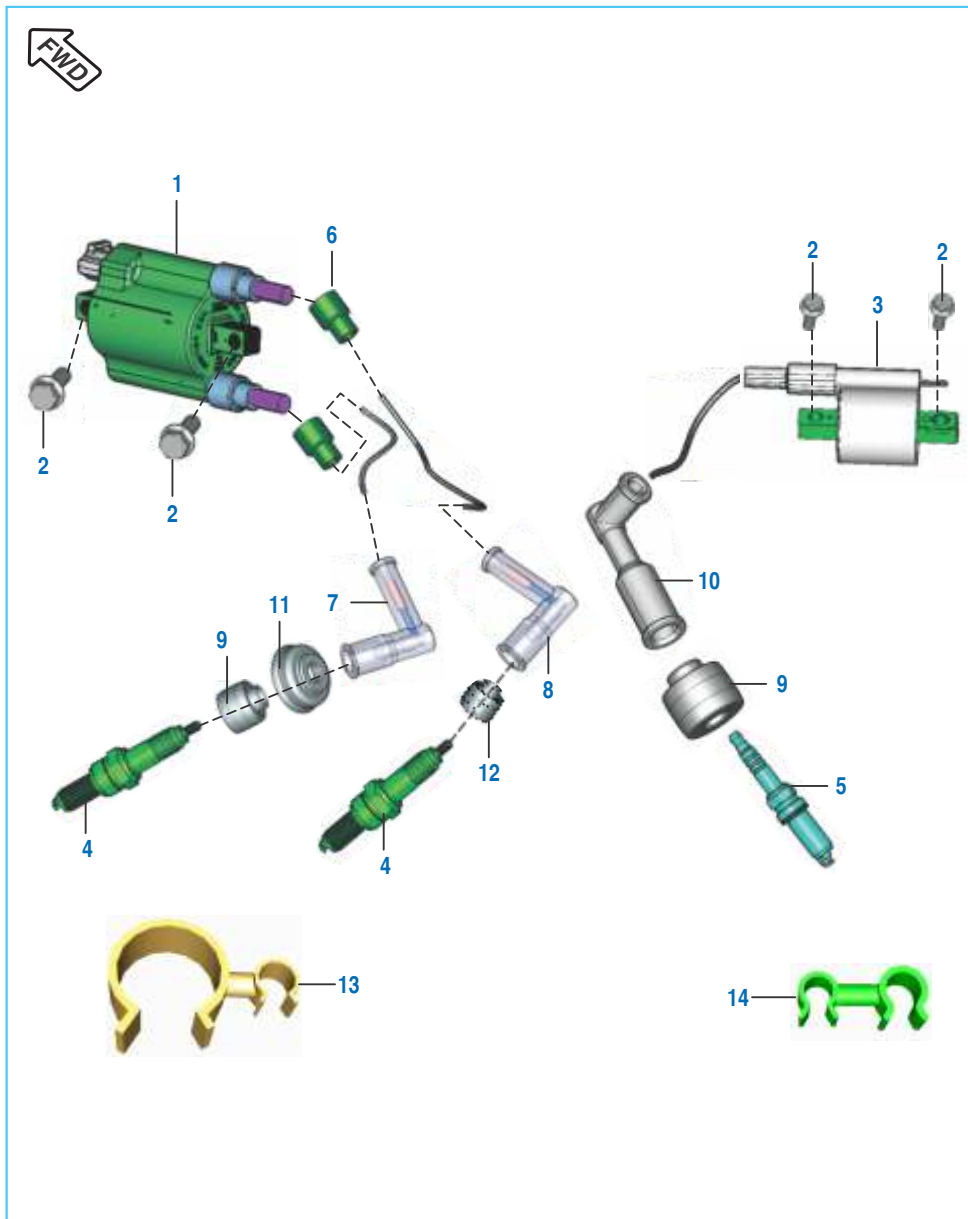
No.	Part No.	Description	Qty.		Remarks
			ABS	NON ABS	
1	JL 3516 00	Starter Motor Assembly	1	1	
1A	KA DQ06 25	Bolt M6-Motor mtg.	2	2	N.I.
2	JG 6214 13	Gear Starter Counter 2 Assy	1	1	
3	JG 6214 12	Gear Starter Counter 1	1	1	
4	JG 5310 41	Balancer Drive Gear	1	1	
5	LD H000 02	Belleville Washer	1	1	
6	JG 5310 40	Nut Balancer	1	1	
7	JG 6214 17	Assembly Gear Starter Clutch	1	1	
8	LD B000 10	Plain Washer	1	1	
9	52 JY01 85	Bolt Flange Pre - Coated	1	1	
10	JG 3510 19	Body Complete Starter Clutch	1	1	
11	JY 5514 02	Clutch One Way Assembly	1	1	
12	39 0849 14	Washer - Lock Toothed	4	4	
13	DH 1013 89	Pre-coated Screw	4	4	
14	JA 3516 27	'O' Ring Starter Motor	1	1	N.I.
15	DT 4022 34	Harness Pigtail Magneto To RR	1	1	
16	BF 6214 02	Needle Bearing (25X32X16)	1	1	

Magneto, Regulator & EMS



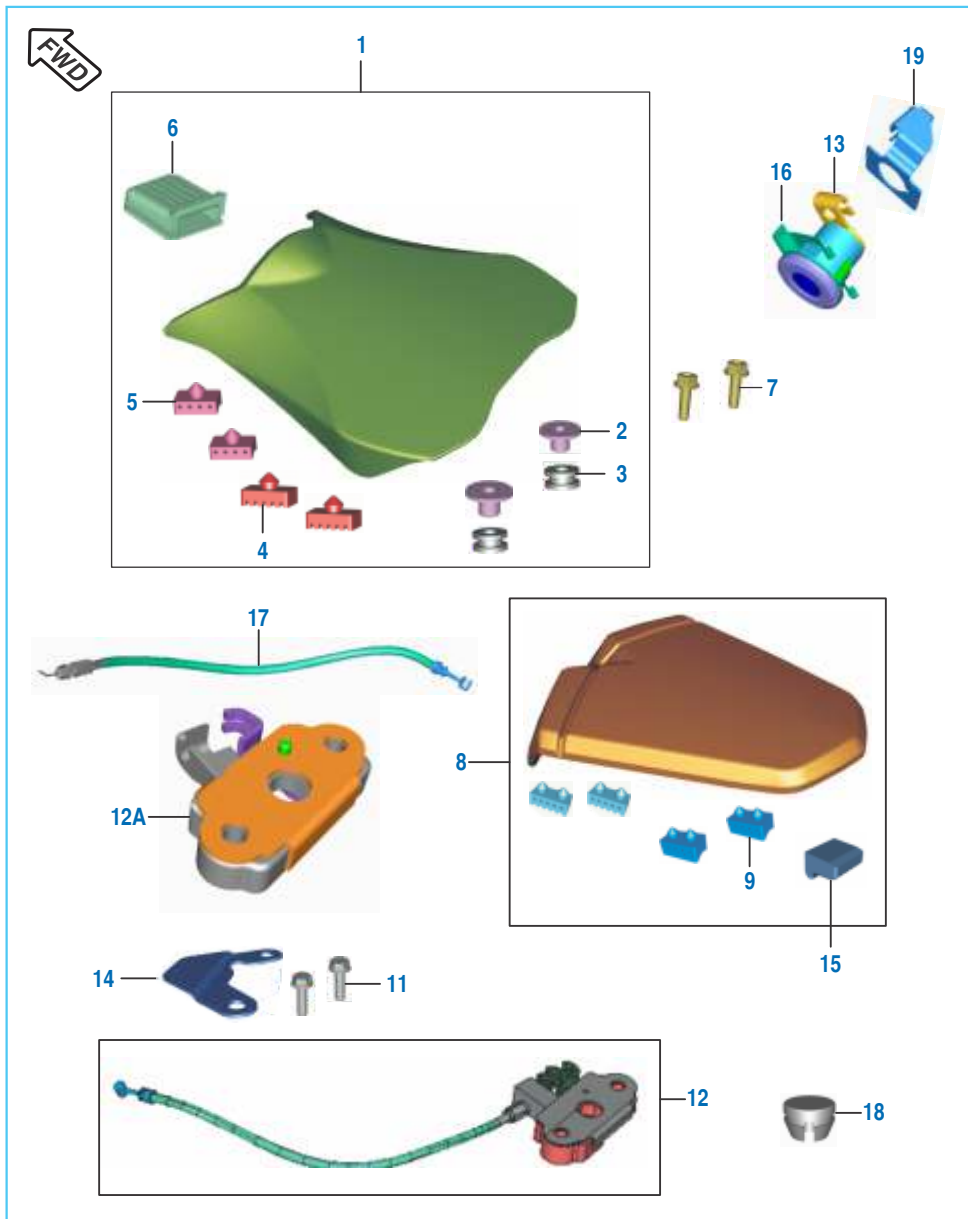
No.	Part No.	Description	Qty.		Remarks
			ABS	NON ABS	
1	JY 3510 19	Rotor Without Clutch Assy	1	1	
2	DT 3510 06	Stator Assembly Compl	1	1	
3	DK 1012 84	Hex Socket Head Screw	3	3	
4	DT 4020 04	Regulator Assembly	1	1	
5	DT 4020 09	Regulator with inbuilt capacitor	1	1	BS IV
5	DT 4020 03	Capacitor	1	1	
6	DT 1138 02	Bracket Regulator Mtg Loose	1	1	
7	KA ED06 25	Bolt Flanged	2	2	
8	KA EA06 12	Bolt Flanged	1	1	
9	DT 3514 04	EMS-ECU Assembly	1	1	
9A	DT 3514 11	Assembly EPM44	1	1	BS IV
10	KB BF04 08	Screw Pan Cross	4	4	
11	JF 1812 81	Sub Assly Bkt ECU Mtg Lower	1	1	BS IV
12	JY 1138 61	Sub Assly Bkt C Sample Top	1	1	BS IV

H.T. Coil



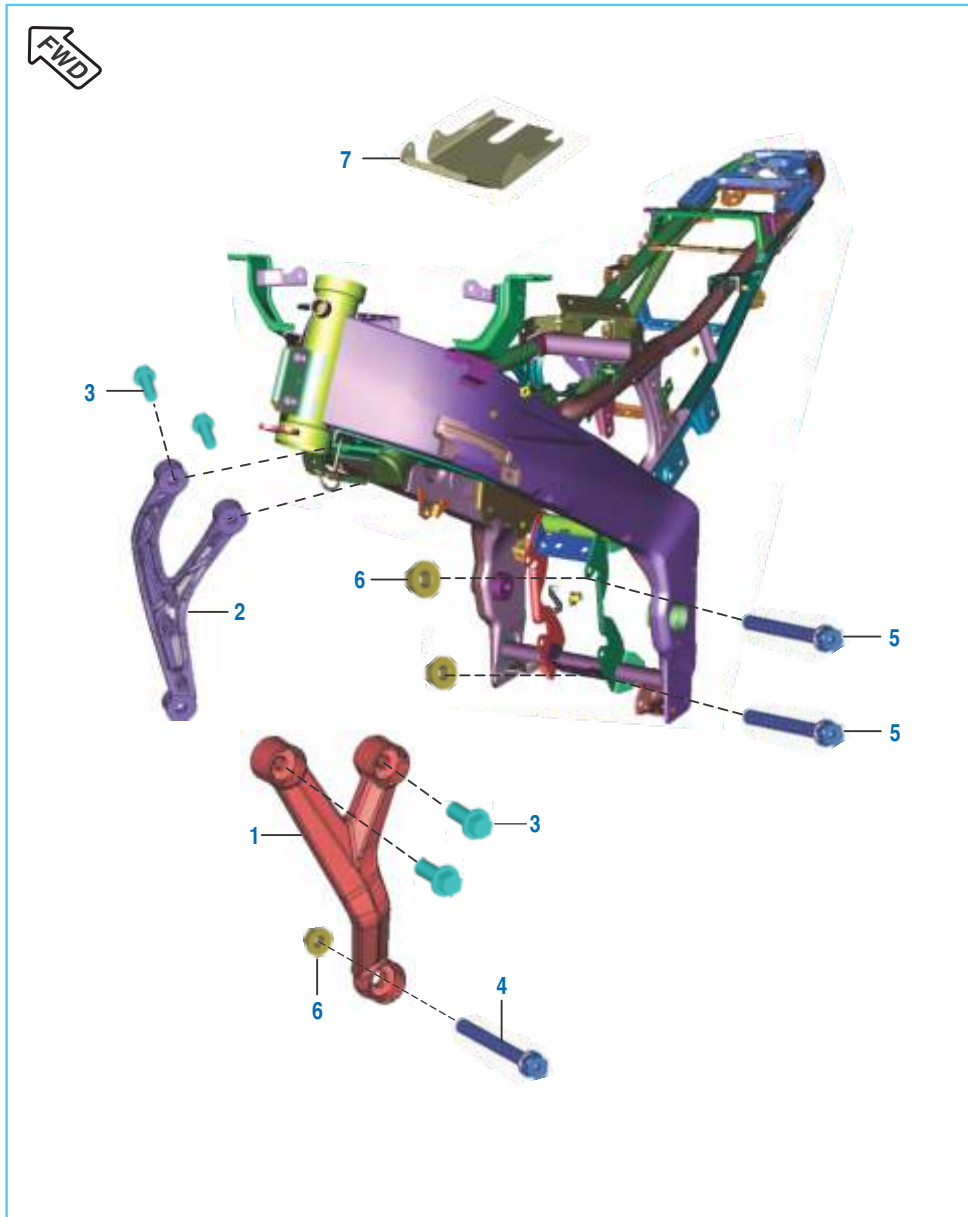
No.	Part No.	Description	Qty.		Remarks
			ABS	NON ABS	
1	JL 3512 37	Coil HT 2	1	1	Twin Output
	JL 3512 52	Coil HT 2	1	1	BS IV
2	39 1913 04	Bolt Flange	4	4	
	JL 3512 35	Coil HT 1	1	1	
3	JL 3512 50	Coil HT 1	1	1	BS IV
	DK 1110 28	Spark Plug RG6HCC	2	2	
4	DK 1110 28	Spark Plug RG6HCC	2	1	BS IV
	JL 3512 18	Plug Spark	1	1	BS IV
6	DD 1110 12	Grommet For H. T. Cable	3	3	
7	JD 3512 07	Spark Plug Cap	1	1	
8	AN 1110 15	Spark Plug Cap	1	1	
9	DH 1110 13	Grommet - Spark Plug	2	2	
10	DK 1110 11	Cap Spark Plug	1	1	
11	DH 1110 16	Grommet - Sleeve Spark Plug	1	1	
12	DD 1110 11	Grommet - Spark Plug Cap	1	1	
13	DT 1138 55	Clamp HT Coils	2	2	
14	AN 1013 48	Clip Hose Rotatable	2	2	

Seat Assembly / Seat Lock



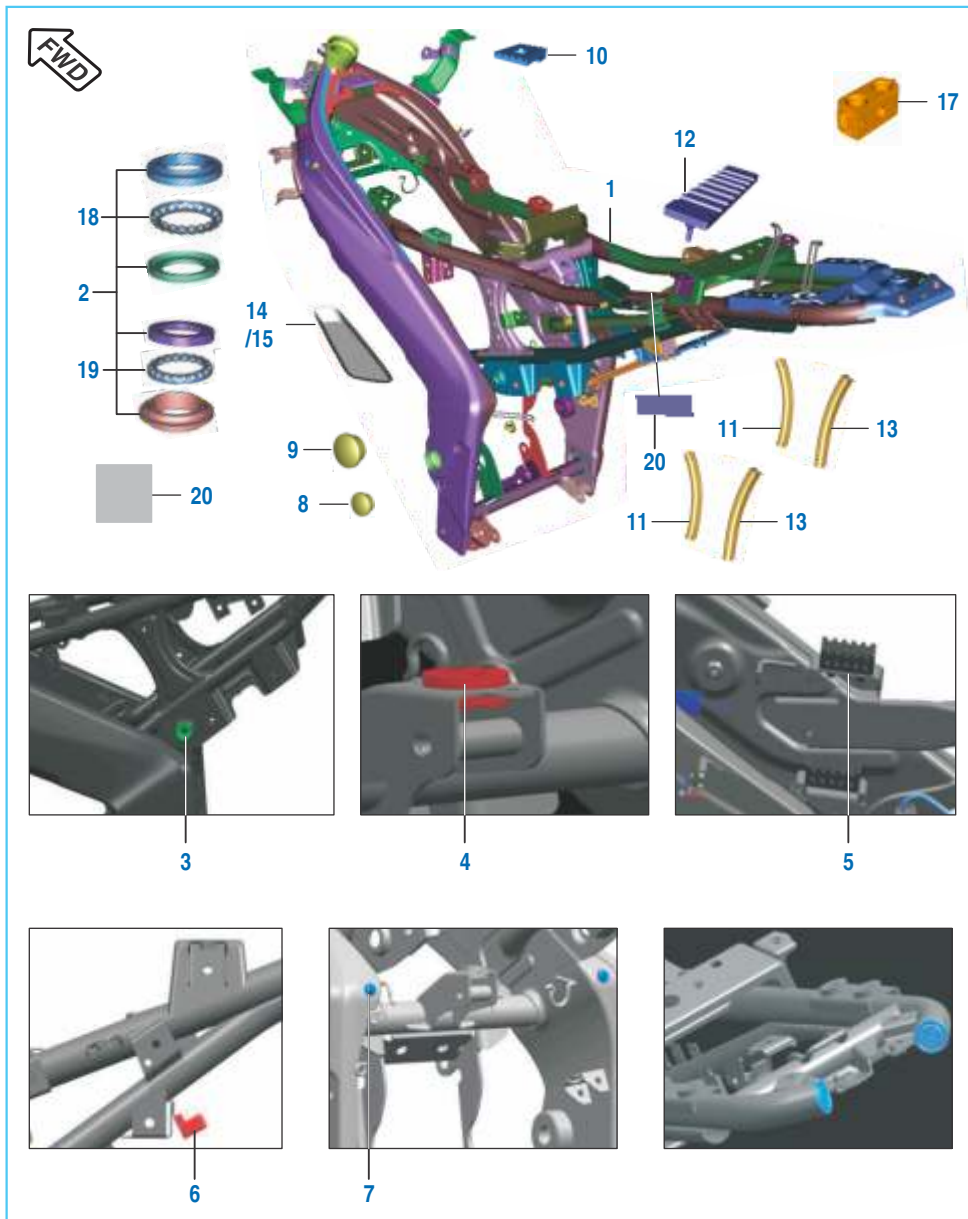
No.	Part No.	Description	Qty.		Remarks
			ABS	NON ABS	
1	DT 1910 06	Seat Assembly - Front	1	1	
2	JG 1910 08	Collar-seat	2	2	
3	FD 2110 06	Grommet Seat	2	2	
4	DK 2110 09	Damper For Seat	2	2	
5	JZ 1910 10	Damper Seat	2	2	
6	DT 1910 12	Damper Seat Front	1	1	
7	DS 1612 87	Bolt	2	2	
8	DT 1910 09	Seat Assembly - Rear	1	1	
9	DS 2110 04	Damper Seat	4	4	
11	KA DA06 22	Bolt Flange	2	2	
12	JG 2326 01	Seat Lock	1	1	
12A	DT 2326 05	Lock Rear Seat	1	1	
13	JL 1510 23	Lock Set 3 in 1	1	1	
14	JL 2326 04	Cover Seat Lock	1	1	
15	DT 1910 22	Grommet Rear Seat Rear	1	1	
16	JG 1910 11	Plate Seat Lock	1	1	
17	JG 2326 06	Seat Lock Cable	1	1	
18	DS 1611 56	Plug Seat Lock Cable	1	1	
19	JG 2326 03	Bracket Seat Lock Barrel	1	1	BS IV

Engine Mountings



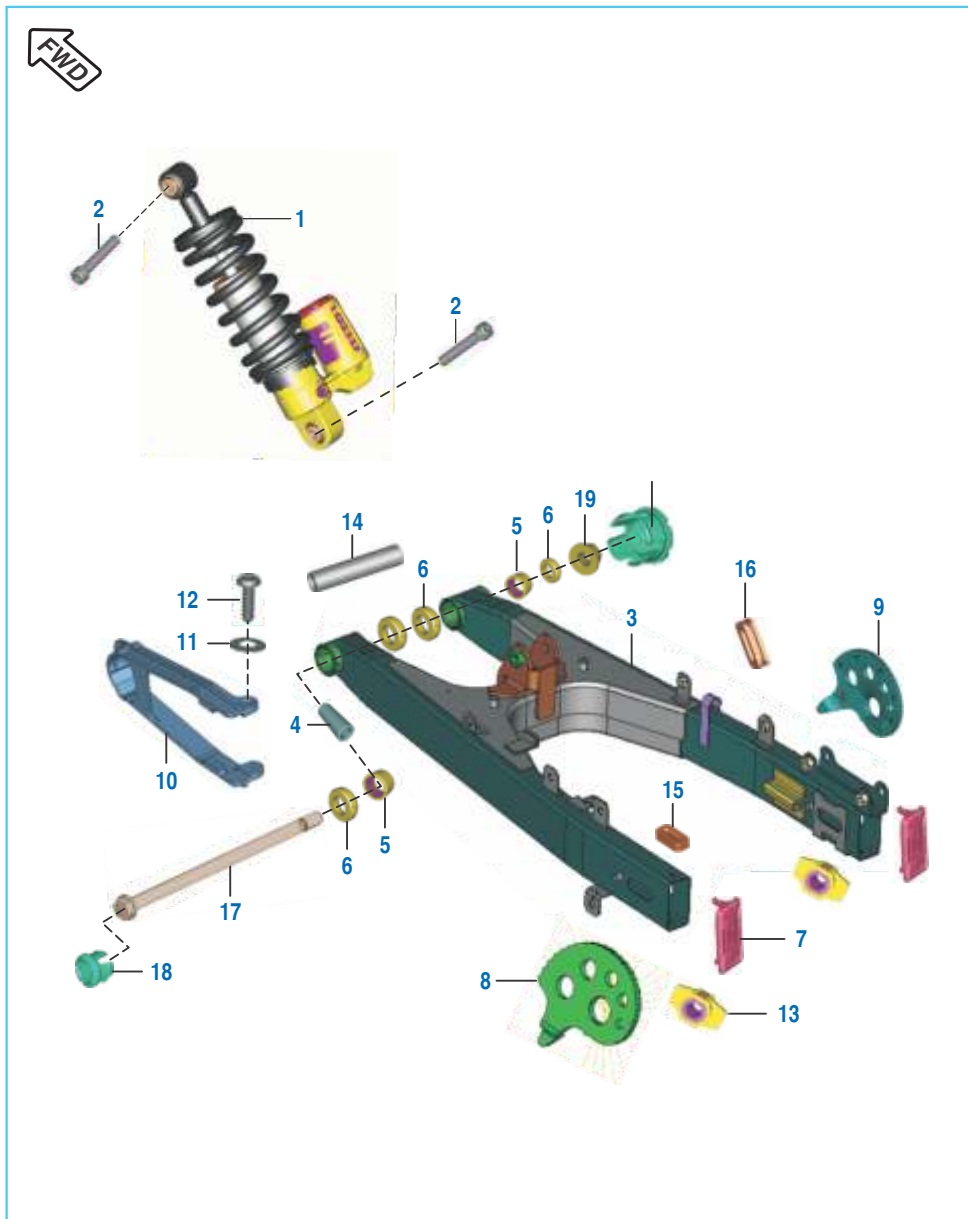
No.	Part No.	Description	Qty.		Remarks
			ABS	NON ABS	
1	52 JL01 56	Engine Stay Assembly LH With Black Color	1	1	
	JL 1134 00	Engine Stay LH	1	1	
2	52 JL01 57	Eng Stay Assembly RH With Black Color	1	1	
	JL 1134 01	Engine Stay RH	1	1	
3	DT 1134 08	Bolt - Flanged Small	4	4	
4	JL 1110 54	Engine Mtg Bolt Front	1	1	
5	JA 1134 03	Flanged Bolt M10X110	2	2	
6	39 2723 15	Nut Flanged M10	2	2	
7	DT 1138 42	Cover Seal Heat	1	1	

Frame and Frame Fittings



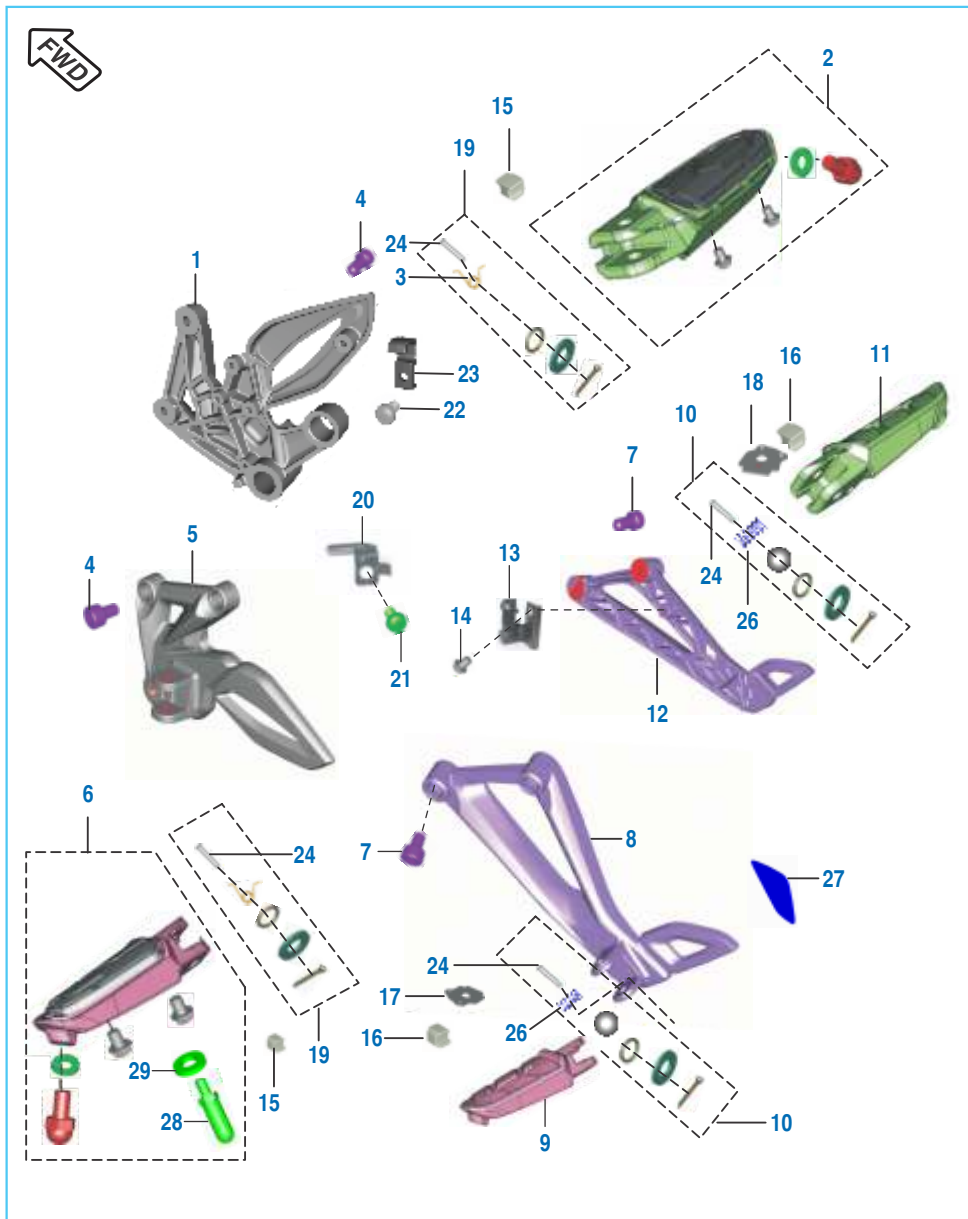
No.	Part No.	Description	Qty.		Remarks
			ABS	NON ABS	
1	DT 1111 63	Frame Assembly Complete	1	1	Without Bearing Race BS IV
	DT 1112 09	Frame Assembly Complete	1	1	
2	36 JG00 11	Kit Steering head bearing	1	1	
3	DT 1812 65	Grommet Side Cover	2	2	
4	JL 1710 20	Grommet Tank Rear	1	1	
5	DS 2110 04	Damper Seat I	2	2	
6	JZ 1813 22	Side Cover Grommet	2	2	
7	DX 1610 66	Pad Brace Fender	2	2	
8	DT 1813 22	Plug 1	1	1	
9	DT 1813 23	Plug 1	1	1	
10	DT 1710 76	Damper Tank Cover	2	2	
11	DT 1138 46	Frame Beading RH	2	2	
12	DT 1813 21	Pad Tank Cover Resting	1	1	
13	JB 1812 23	Beading LH	2	2	
14	DT 1111 06	Frame Rubber Pad LH	1	1	
15	DT 111 107	Frame Rubber Pad RH	1	1	
16	DS 1611 66	Frame Tape II	1	1	N.I.
17	DT 1318 75	Clamp Brake Hose	1	1	
18	DK 1810 50	Cage Bearing Steering Top	1	1	
19	DK 1810 51	Cage Bearing Steering Bottom	1	1	
20	DT 1138 58	Tape Frame	3	3	BS IV

Swing Arm / Rear Shock Absorber



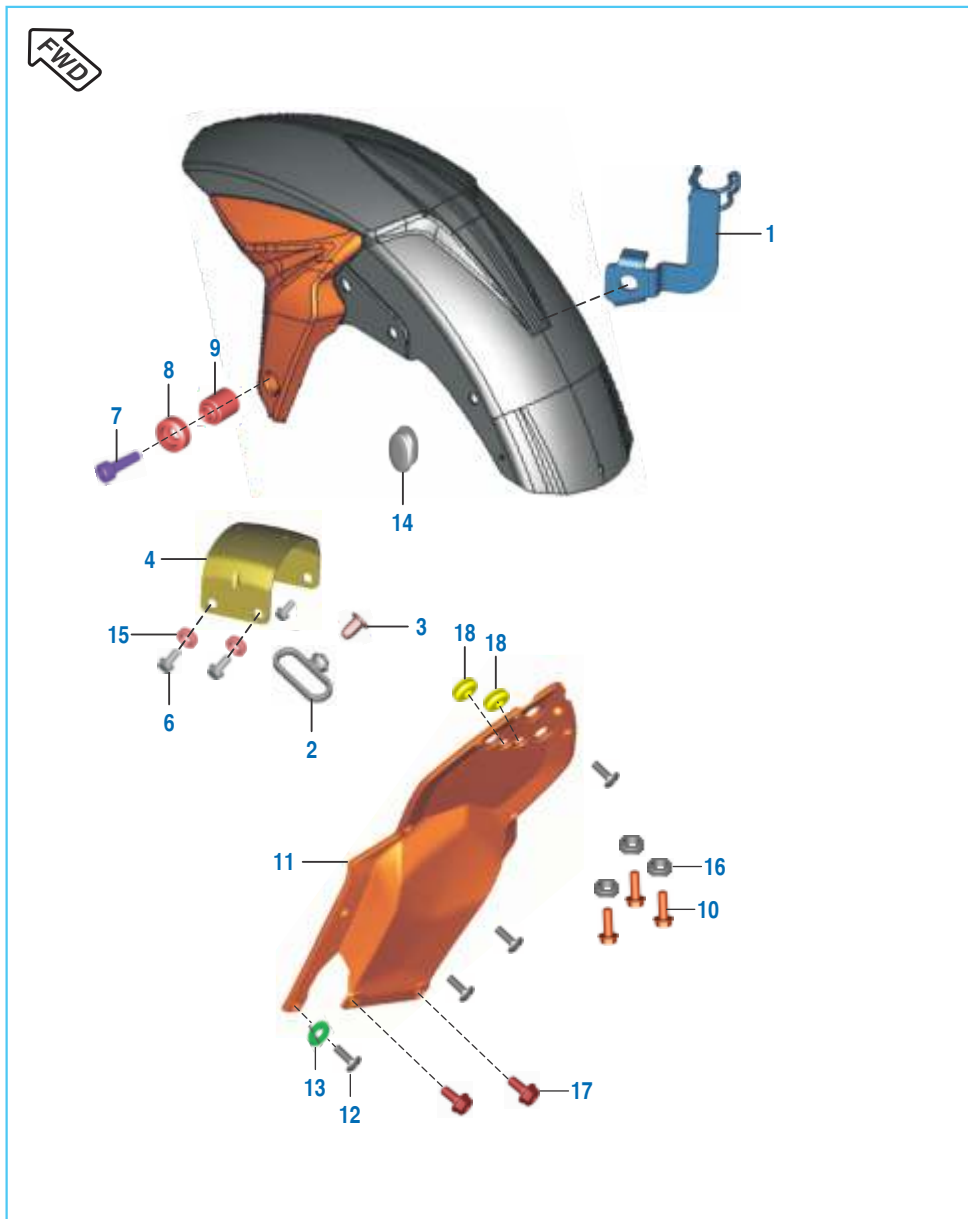
No.	Part No.	Description	Qty.		Remarks
			ABS	NON ABS	
1	DT 1220 19	Shockabsorber Mono	1	1	
2	LA C000 19	Bolt Socket M10 X 1.25 X 55	2	2	
3	JL 1220 13	Assembly Swing Arm - Disc	1	1	BS IV
4	DG 1710 16	Sleeve	2	2	
5	DG 1710 18	Bearing - Needle	2	2	
6	DG 1710 19	Seal - Oil	4	4	
7	JL 1220 02	Cap Swing Arm Tube	2	2	
8	JL 1220 01	Adjuster Chain LH	1	1	
9	JL 1220 09	Adjuster Chain RH	1	1	
10	JL 1220 03	Slider Chain	1	1	
11	39 0454 11	Washer - Plain	2	2	
12	39 0553 02	Screw - Self Tapping	2	2	
13	JL 1220 04	Spacer Chain Adjuster	2	2	
14	JL 1220 08	Spacer Central Swing Arm	2	2	
15	JL 1812 24	Grommet I	1	1	
16	JL 1812 25	Grommet II	1	1	
17	JL 1220 26	Shaft - Swing Arm	1	1	
18	DT 1138 48	Cap - Swing Arm pivot	2	2	
19	39 1053 15	Nut Hexagon with Flange M14	1	1	
20	JL 2330 19	Label Tyre Info	1	1	

Pillion Foot Rest / Holder



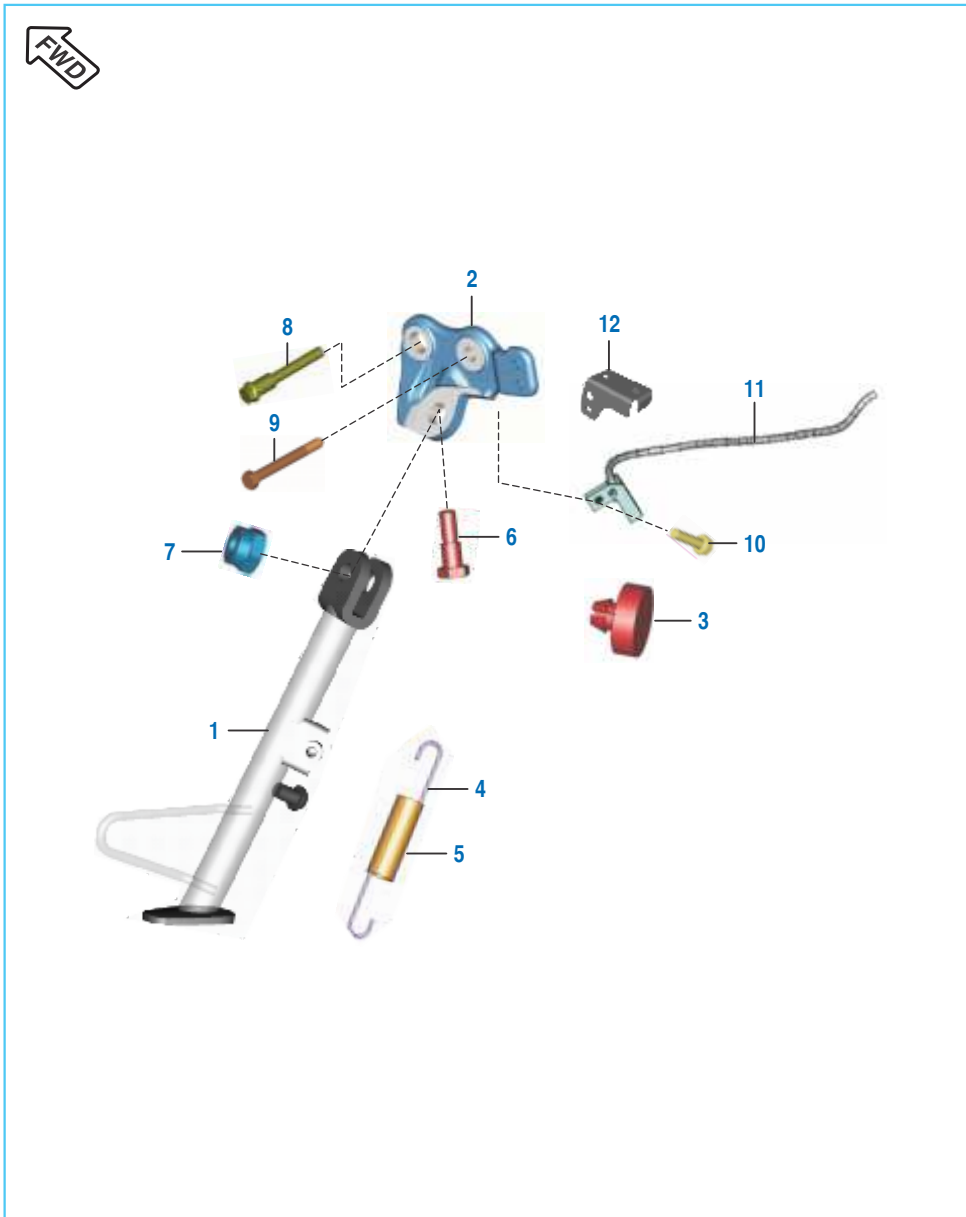
No.	Part No.	Description	Qty.		Remarks
			ABS	NON ABS	
1	DT 1130 01	Holder Step RH	1	--	
	DT 1130 36	Holder Step RH	--	1	
	56 DT3Y 1Y	Holder Step RH Slate Gray	1	1	BS IV
2	DT 1130 29	Step Assy Main RH	1	1	
3	JL 1130 12	Spring Torsion	2	2	
4	KA CA08 20	Bolt Socket Dia-08 L-20	4	4	
5	DT 1130 02	Holder Step LH	1	1	
	56 DT3X 1Y	Holder Step LH Slate Gray	1	1	BS IV
6	DT 1130 28	Step Assembly Main LH	1	1	
7	LA C000 74	Bolt Socket M8X35	4	4	
8	DT 1130 06	Step Holder- Pillion LH	1	1	
	56 DT4J 1Y	Step Holder- Pillion LH S Gray	1	1	BS IV
9	JL 1130 14	Step Pillion LH	1	1	
	56 JF18 1Y	Step Pillion LH S Gray	1	1	BS IV
10	36 JL00 15	Kit Pillion Hardware	2	2	
11	JL 1130 16	Step Pillion RH	1	1	
	56 JF19 1Y	Step Pillion RH S Gray	1	1	BS IV
12	DT 1130 08	Step Holder - Pillion RH	1	1	
	56 DT4K 1Y	Step Holder- Pillion RH S Gray	1	1	BS IV
13	JL 1318 41	Bracket Reservoir Mtg.	1	1	
14	39 2140 04	Bolt Flanged	1	1	
15	JZ 1130 61	Rubber Pad Footrest	2	2	
16	JL 1130 36	Rubber Pad Footrest	2	2	
17	DT 1130 14	Lock Plate LH	1	1	
18	DT 1130 15	Lock Plate RH	1	1	
19	36 JL00 41	Kit Main Step Hardware	2	2	
20	JL 1318 78	Bracket Reservoir cap	1	1	
21	KB BA05 12	Screw	1	1	
22	KB UB06 12	Screw	1	1	
23	DT 1318 33	Clamp	1	1	
24	JD 1130 19	Pin Foot Step	4	4	
25	KA EA06 10	Bolt Flanged Small	1	1	
26	GF 1611 43	Spring Pillion Footrest	2	1	
27	DT 1130 35	Tape Holder Step LH	1	1	
28	LA A000 09	Bolt - M6 x 1 x L10	1	1	
29	LD A000 13	Washer Plain	1	1	

Mudguard - Front & Rear



No.	Part No.	Description	Qty.		Remarks
			ABS	NON ABS	
1	DT 1318 37	Bracket -Hose Clamp	1	-	
	JL 1318 11	Bracket -Hose Clamp	--	1	
2	DS 1611 25	Guide - Cable	-	1	
3	DJ 1610 69	Nail - Cable Guide	-	1	
4	DT 1814 07	Bracket Brace Fender	1	1	
	DT 1814 37	Bracket Brace Fender	1	1	
5	JL 1814 11	Washer Front-Fender-Mtg	2	2	
6	KA AB08 20	Bolt M8	4	4	
	JG 1134 07	Bolt Flange M8	4	4	
7	KA CA06 30	Bolt - Hexagon Socket M6	2	2	
	KA CF05 30	Bolt - Hexagon Socket M6	2	2	
8	DT 1814 34	Cup Washer	2	2	
9	DT 1814 11	Spacer Fender Front	2	2	
	DT 1814 39	Spacer Fender Front	2	2	
10	FD 2210 19	Bolt Flanged M8	3	3	
11	DT 1812 56	Seat Cowl Central Bottom	1	1	
12	39 1907 01	Screw M5	8	8	
13	39 2141 24	Washer Non Metallic	8	8	
14	DT 1814 33	Plug Front Fender	1	-	
15	DT 1814 35	Grommet Front Fender	2	-	
	DJ 1610 91	Grommet - Front Fender	4	4	
16	JL 1812 20	Grommet - 2 Seat Cowl	3	3	
17	KA DT06 14	Bolt Flanged M6 x L14	2	2	
18	DJ 2011 73	Grommet For Cables	2	2	BS IV

Stand Assembly



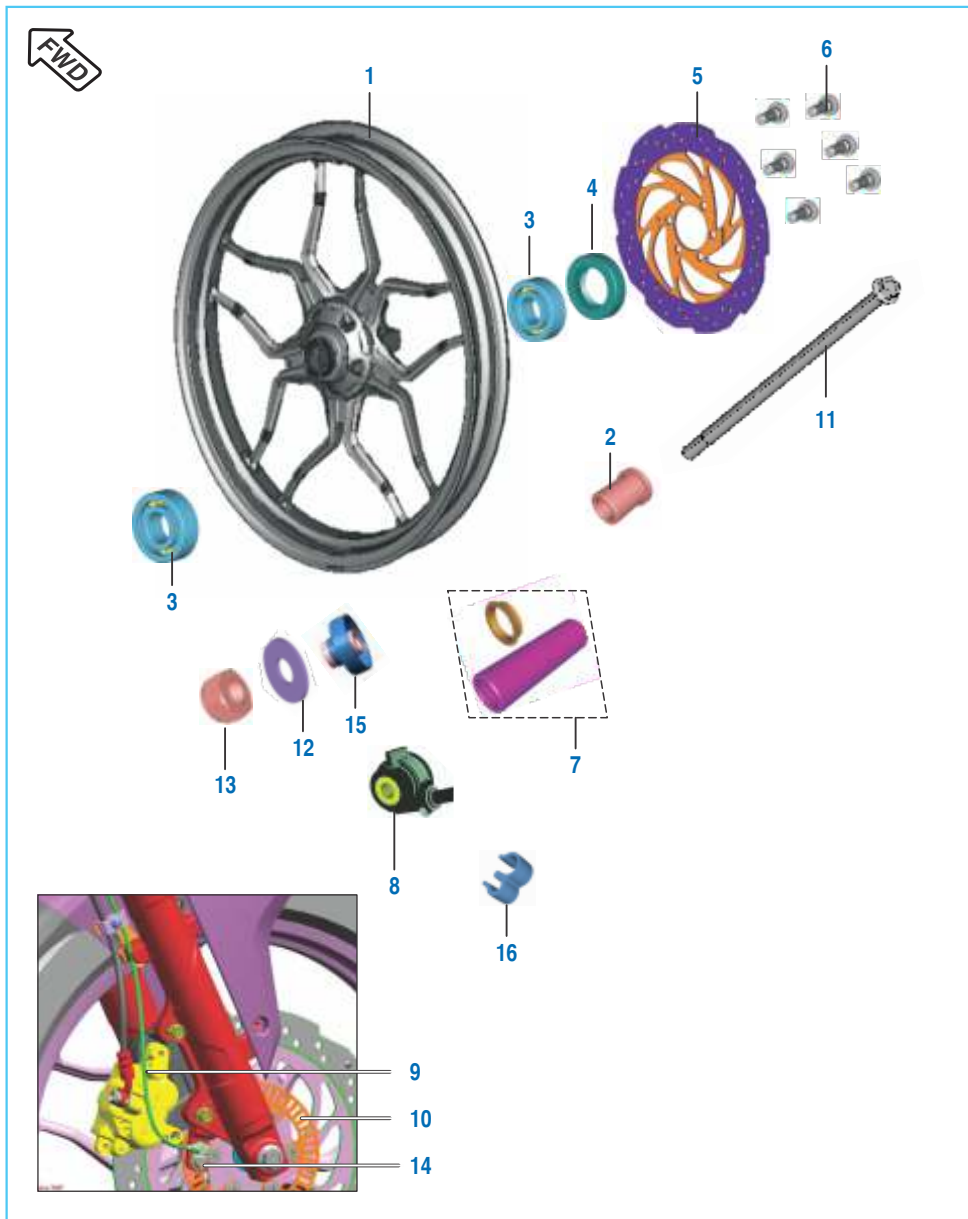
No.	Part No.	Description	Qty.		Remarks
			ABS	NON ABS	
1	DT 1132 04	Assembly Side Stand	1	1	
2	DT 1132 05	Bracket Side Stand.	1	1	
3	JZ 4036 01	Magnet Holder (Side stand switch)	1	1	
4	JL 1132 09	Spring Side Stand	1	1	
5	DH 1611 46	Cover Spring Side Stand	1	1	
6	DF 1611 02	Bolt	1	1	
7	39 0422 15	Nut Nyloc M10	1	1	
8	DT 1132 02	Bolt Spl-stand Mtg	1	1	
9	KA DH08 70	Bolt Hexagon M8	1	1	
10	KA DA05 12	Flange Bolt	1	1	
	KA DB05 16	Bolt Flanged	1	1	
11	JL 4014 08	Switch Assembly Side Stand	1	1	
	JF 4014 05	Side Stand Switch	1	1	BS IV
12	JL 1138 18	Cover Side Stand Switch	1	1	

Tube / Tyre / Rim



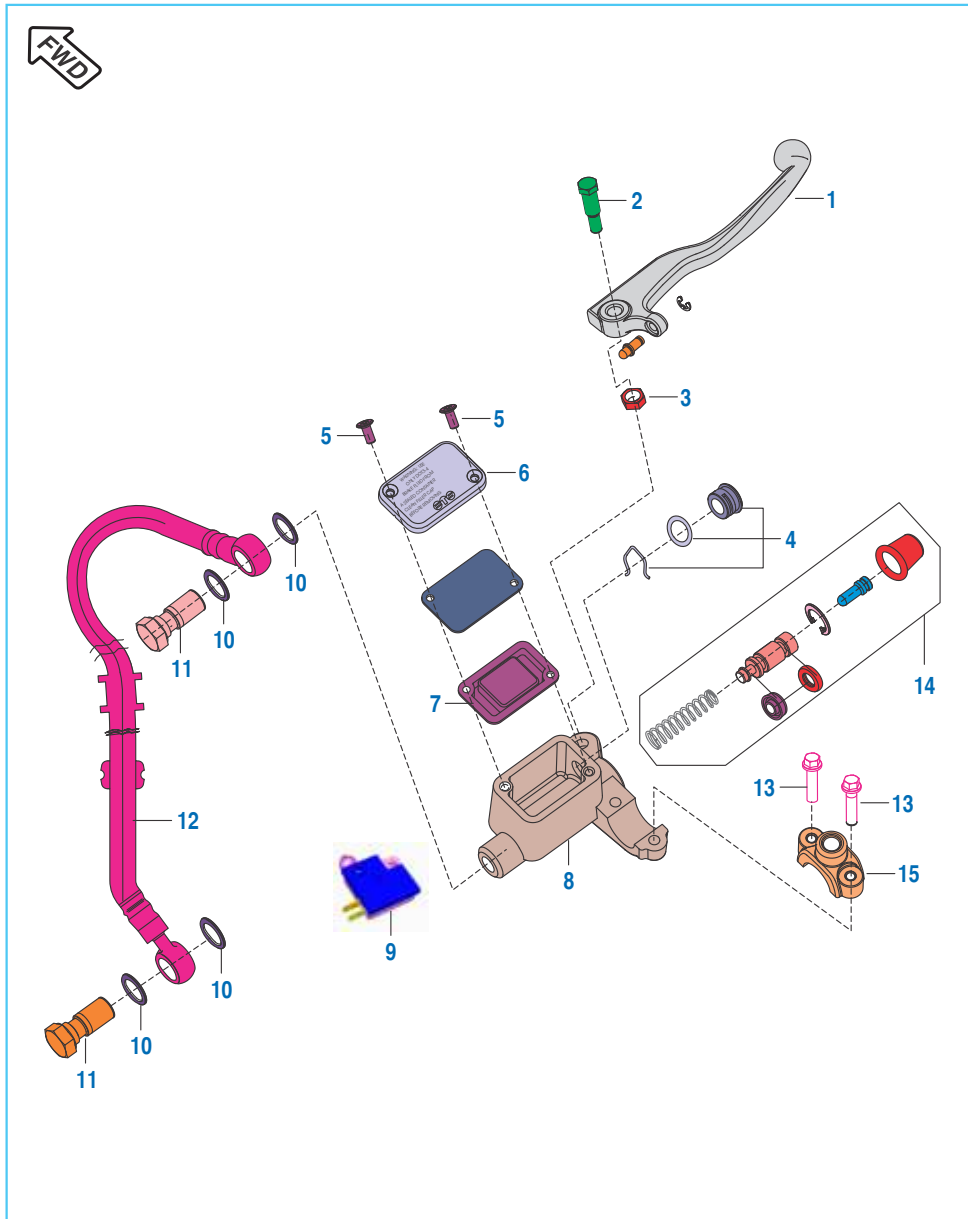
No.	Part No.	Description	Qty.		Remarks
			ABS	NON ABS	
1	DT 1310 18	Tyre Tubeless Front 100/80-17	1	1	Not Serviceable
2	DK 1510 26	Valve Tubeless Tyre	2	2	
3	JL 1310 04	Wheel Rim 2.5X17	1	1	
	56 DT2Z 5N	Wheel Rim Front Blue Colour	1	1	BS IV
4	JL 1312 09	Wheel Rim 3.5X17	1	1	
5	DT 1312 22	Tyre Tubeless Rear 130/70-17	1	1	Not Serviceable

Front Hub



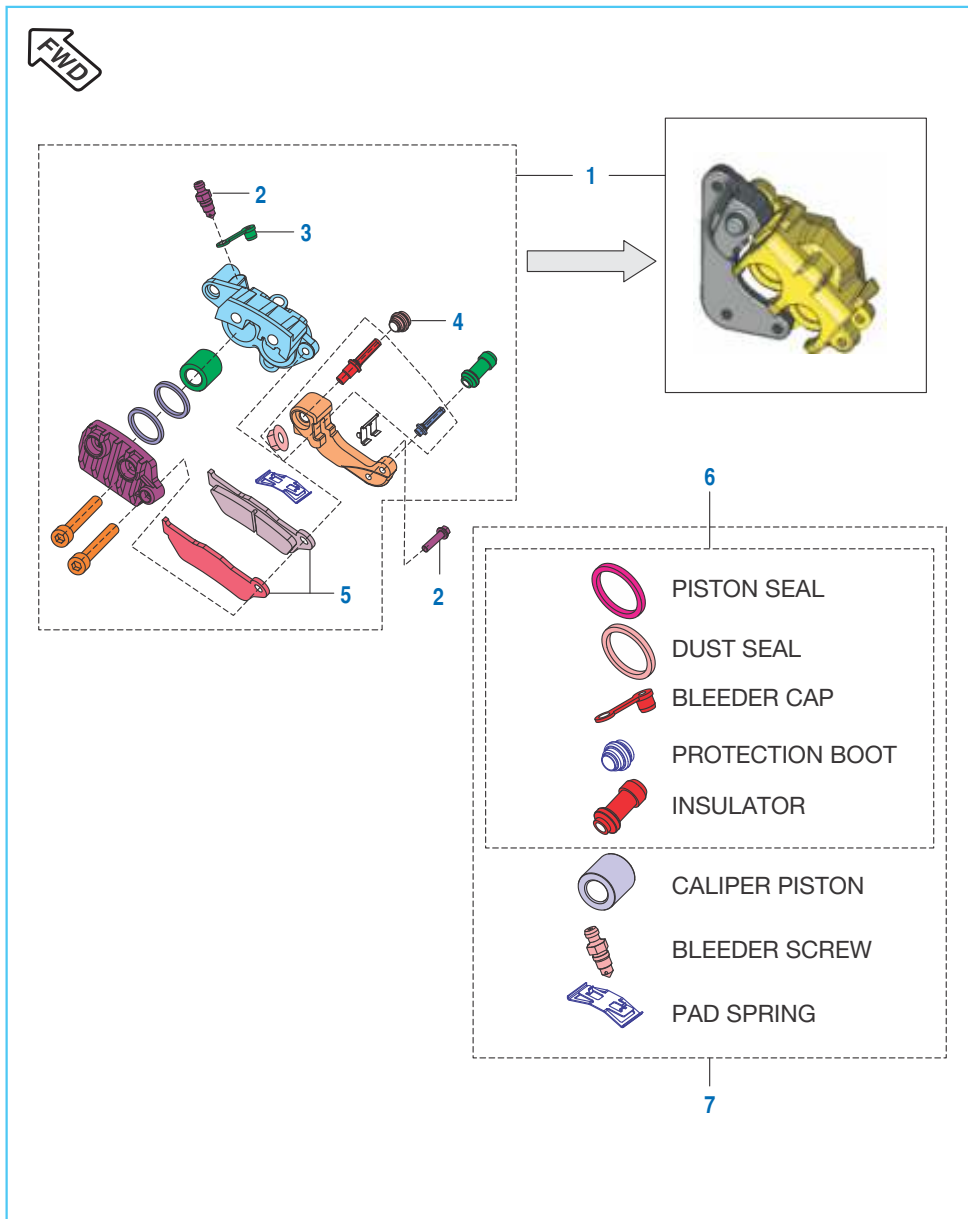
No.	Part No.	Description	Qty.		Remarks
			ABS	NON ABS	
1	JL 1310 04	Wheel Front	1	1	
2	JL 1310 00	Spacer	1	1	
3	KP BC62 02	Bearing - Ball	2	2	
4	DG 1510 05	Seal - Oil	1	1	
	DK 1510 12	Seal Oil	1	1	
5	DT 1318 02	Disc Front	1	--	
	JL 1310 05	Disc Front	--	1	
6	JD 1318 11	Special Bolt M8	6	6	
7	JG 1310 01	Collar	--	1	
8	DT 4024 07	Case Meter with Speed Sensor	--	1	
9	DT 4024 04	Wheel Speed Sensor (ABS)	1	--	Front & Rear
10	JU 1318 01	Sensor Disc Front	1	--	ABS
11	JL 1310 01	Axle	1	1	
12	LD B000 29	Plain Washer	1	1	
13	LC J000 02	U nut	1	1	
14	39 1943 04	Flanged Bolt	1	1	
15	DT 1310 17	Collar Assembly	1	-	
16	JG 4036 03	Clamp Sensor Cable Holding	2	-	BS IV

Master Cylinder - Front Disc Brake



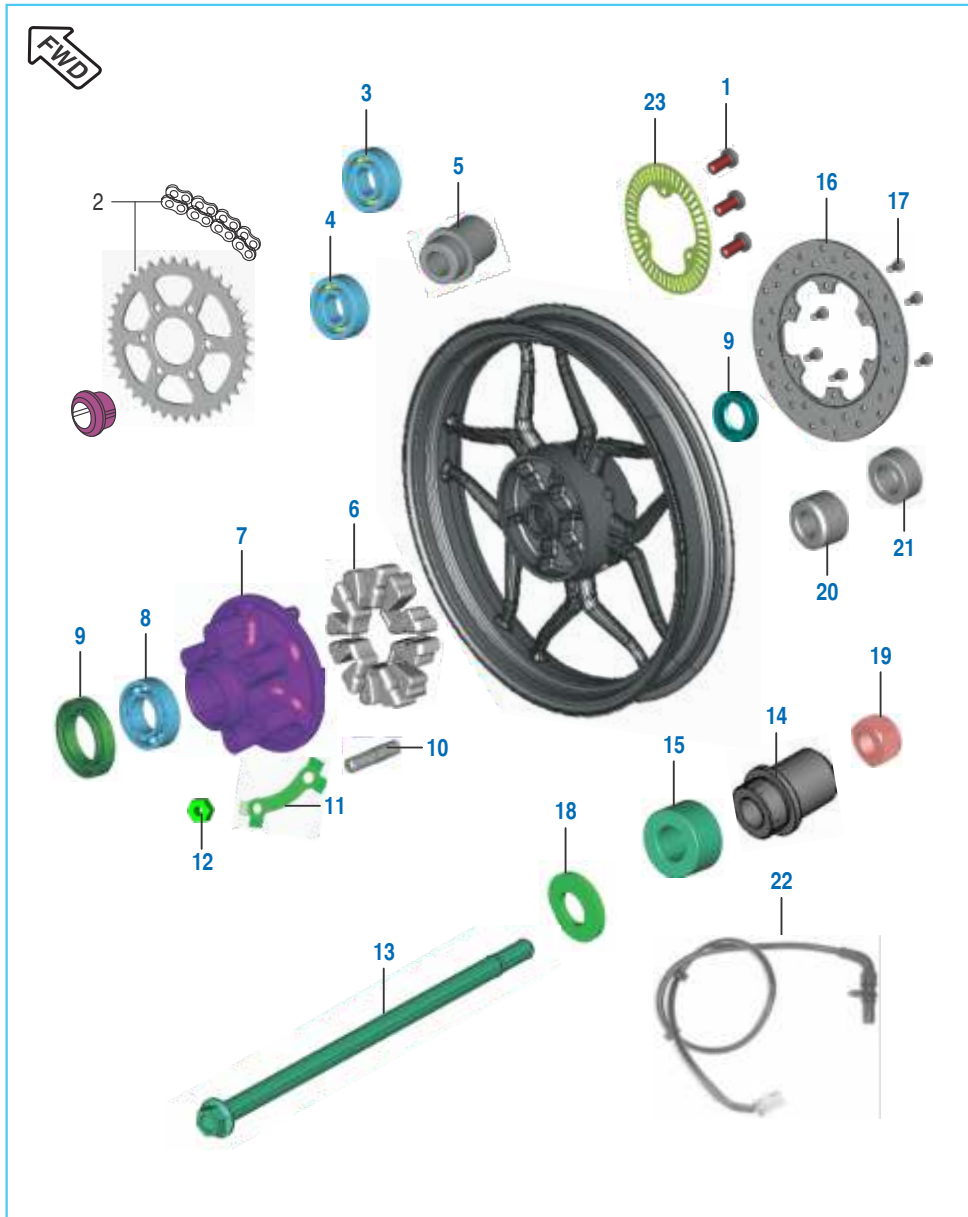
No.	Part No.	Description	Qty.		Remarks
			ABS	NON ABS	
1	DJ 1910 57	Lever Front Brake	1	--	
	JG 1610 10	Lever Front Brake	--	1	
2	DJ 1910 29	Bolt Front Bracket I	1	1	
3	DJ 1910 30	Nut	1	1	
4	36 DH19 02	Oil Window Kit	--	1	
	DE 1910 36	Oil Window Kit	1	--	
5	DJ 1910 31	Screw	2	2	
6	DE 1910 29	Cover - Reservoir	1	1	
7	DE 1910 28	Diaphragm	1	1	
8	DT 1318 36	Master Cylinder with lever	--	1	
	DT 1318 31	Master Cylinder with lever	1	--	
9	DJ 2011 00	Brake Switch	--	1	
10	36 DT00 36	Kit Switch Front M Cylinder	1	--	
	DJ 2011 09	Front Brake Switch (Minda)	1	1	
	DE 1910 10	Washer - Copper	8	4	
11	DK 1510 69	Bolt - Banjo	4	2	
	JL 1318 02	Hose Assembly	--	1	
13	LA D000 37	Bolt Flanged M8X1X50	2	2	
14	36 DT00 34	Major Kit M Cylinder-ABS	1	--	
	DE 1910 43	Major Kit M Cylinder-Non ABS	--	1	
14A	36 DT00 35	Minor Kit M Cylinder-ABS	1	--	
	36 PD00 38	Kit FR M/CYL Assly - Minor	--	1	
15	DK 1810 52	Clamp - Holder : RH	1	1	

Caliper Assembly - Front Disc Brake



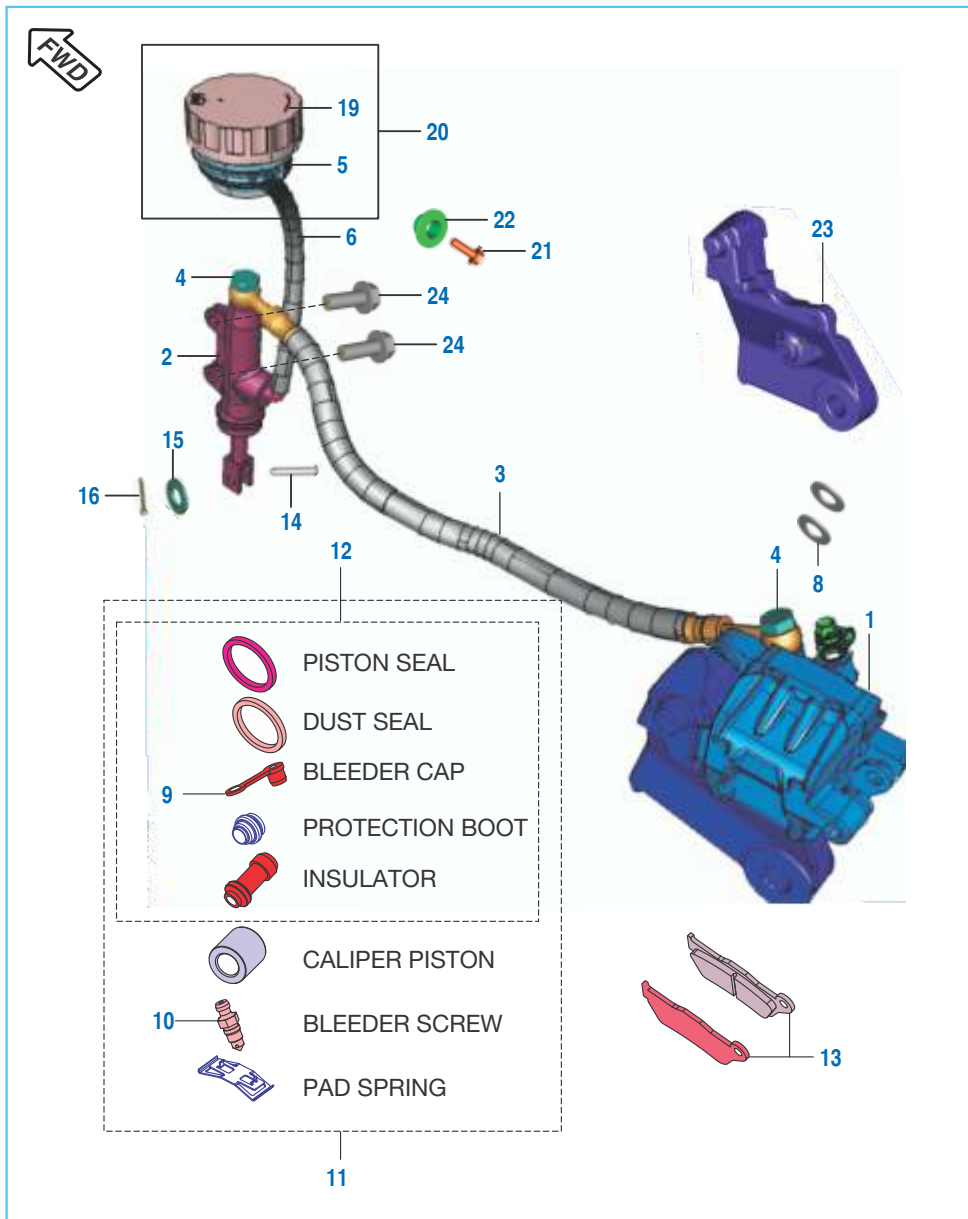
No.	Part No.	Description	Qty.		Remarks
			ABS	NON ABS	
1	JL 1318 04	Caliper Assy Brake Front	--	1	
	DT 1318 53	Caliper Assy Brake Front	1	--	
2	DE 1510 46	Screw Bleeder	1	1	
3	DE 1510 47	Bleeder Cap	1	1	
4	JL 1318 07	Boot	1	1	
5	JL 1318 32	Disc Pad	1	--	
	JL 1318 05	Disc Pad	--	1	
6	JL 1318 31	Minor Kit	1	--	
	DJ 1510 74	Minor Kit	--	1	
7	JL 1318 31	Major Kit	1	--	
	DJ 1510 75	Major Kit	--	1	

Rear Hub



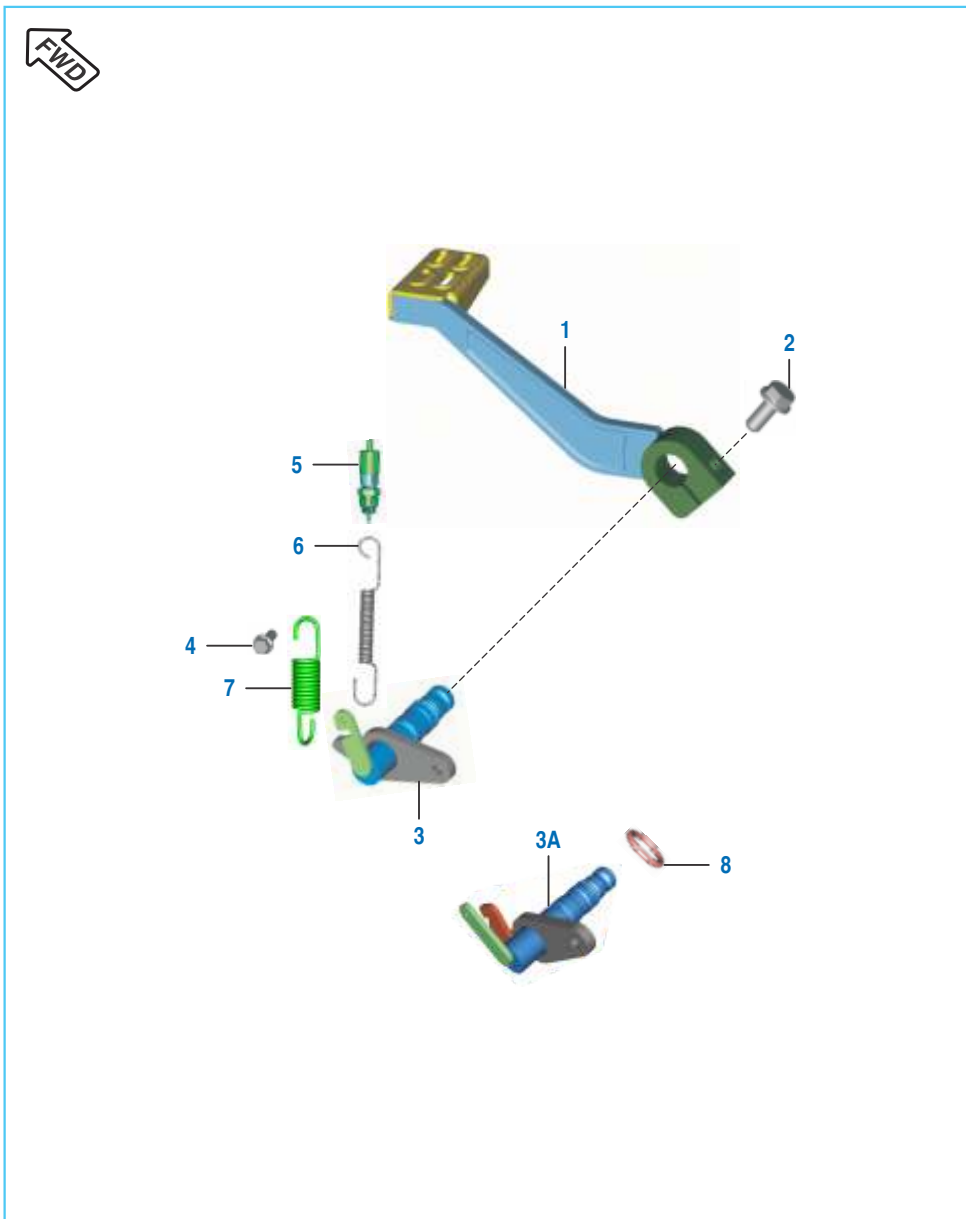
No.	Part No.	Description	Qty.		Remarks
			ABS	NON ABS	
1	39 0746 01	Screw Pan Head	3	--	
2	36 DT00 07	Kit Chain Sprocket	1	1	Refer Kit List
3	KP BC63 02	Bearing - Ball	1	1	
4	KP BC62 02	Bearing - Ball	1	1	
5	JL 1312 16	Collar Bearing Assy	1	1	
6	JL 1312 32	Coupling Rubber	1	1	
7	JL 1312 25	Coupling	1	1	
8	DK 1510 13	Bearing Coupling	1	1	
9	30 1510 82	Oil Seal	2	2	
10	LA A000 19	D Bolt	6	6	
11	JL 1312 26	Washer 6 Rubber	3	3	
12	LC A000 09	Nut	6	6	
13	JL 1312 03	Axle	1	1	
14	DK 1510 15	Sleeve	1	1	
15	JL 1312 11	Spacer for Coupling	1	1	
16	JL 1312 18	Disc Rear	1	1	
17	39 2038 04	Bolt Hex	6	6	
18	LD B000 29	Washer	2	2	
19	LC J000 02	U Nut Swing Arm	1	1	
20	DK 1510 81	Spacer I	1	1	
21	DK 1510 82	Spacer II	1	1	
22	DT 4024 04	Wheel Speed Sensor (ABS)	1	--	Front & Rear
23	JU 1318 02	Sensor Disc Front	1	--	ABS

Rear Disc Brake Assembly



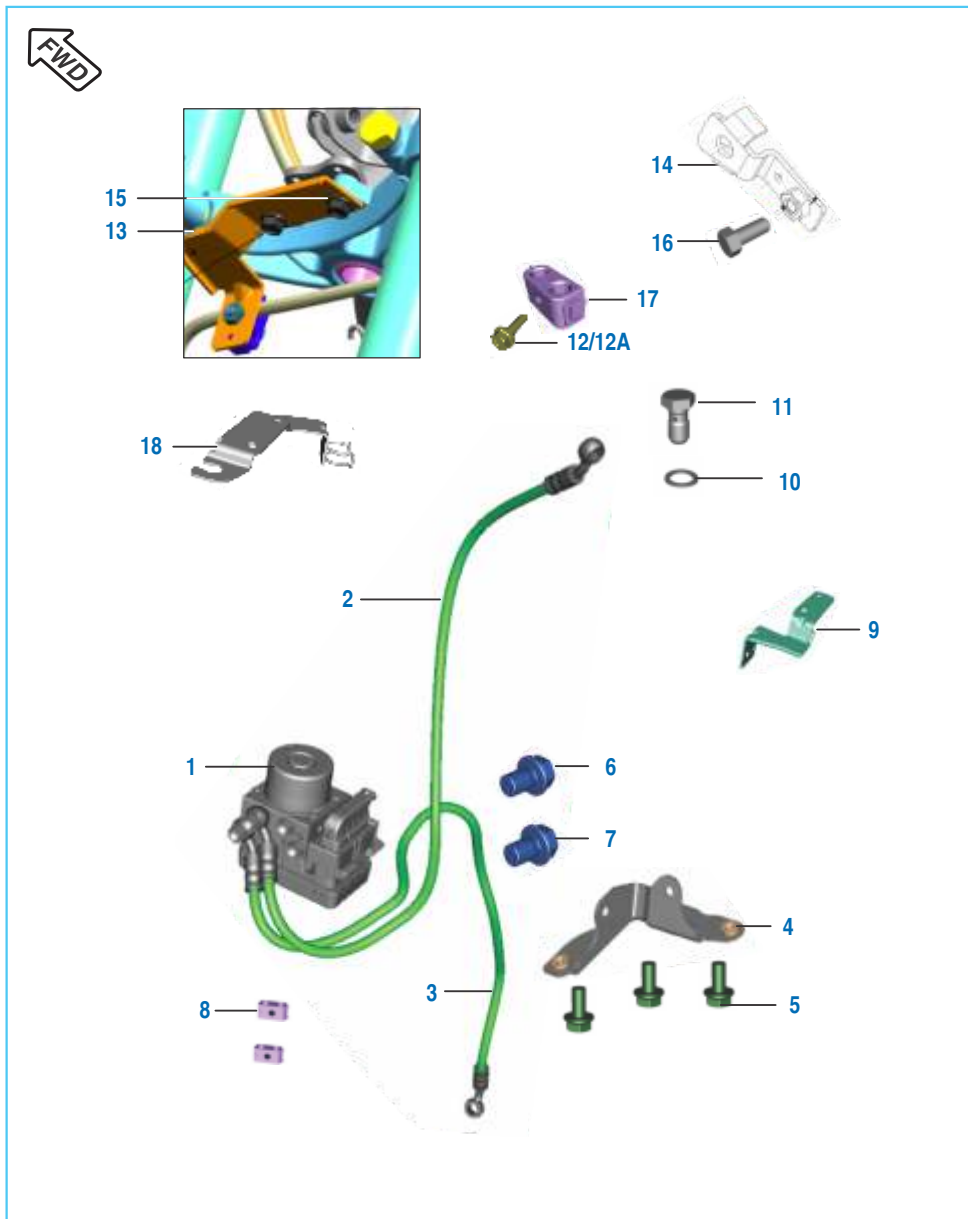
No.	Part No.	Description	Qty.		Remarks
			ABS	NON ABS	
1	DT 1318 26	Assembly Caliper	1	--	
	DK 1510 83	Assembly Caliper	--	1	
2	DT 1318 66	Assembly Master Cyl. Rear	1	--	
	DT 1318 17	Assembly Master Cyl. Rear	--	1	
3	36 DT00 42	Hose Disc Brake Rear	1	1	
4	DK 1510 69	Banjo Bolt	2	2	
5	JG 1318 21	Reservoir Rear Brake	1	1	Without Cap
6	JL 1312 20	Hose - Reservoir	1	1	
7	DK 1510 63	Clip Reservoir	1	1	Cap Reservoir
8	DE 1910 10	Copper Washer	4	4	Banjo Bolt
9	DE 1510 47	Cap Bleeder Screw	1	1	
10	DE 1510 46	Bleeder Screw	1	1	
11	YJ L040 05	Kit Major Caliper	1	--	
	DK 1510 88	Caliper Piston Kit	--	1	
12	YJ L040 06	Kit Minor Caliper	1	--	
	DK 1510 89	Caliper Piston Seal Kit	--	1	
13	DK 1510 85	Set Disc Pad	1	1	
14	30 1910 38	Pin	1	1	
15	39 0198 11	Washer	1	1	
16	39 0808 08	Split Pin	1	1	
17	36 DT00 39	Kit Major M Cylinder	1	--	
	DK 1510 73	Master Cyl. Major Kit	--	1	N.I.
18	36 DT00 40	Kit Minor M Cylinder	1	--	
	DK 1510 74	Master Cyl. Minor Kit	1	1	N.I.
19	DK 1510 45	Cap Reservoir	1	1	
	DK 1510 72	Diaphragm Reservoir	1	1	
20	36 JG00 83	Reservoir with Cap	1	1	
21	KA DD06 14	Screw Pan Cross	1	1	
22	JG 1812 39	Collar	1	1	
23	36 DT00 52	Bracket Caliper	1	--	
	DK 1510 86	Bracket Caliper	--	1	
24	59 0400 14	Bolt Flanged M6 x 1	2	2	
25	JF 1318 63	Disc Cover	1	--	
	JF 1318 64	Disc Cover	--	1	
26	KB UF05 10	Screw Disc cover Mounting	1	1	

Rear Brake Pedal



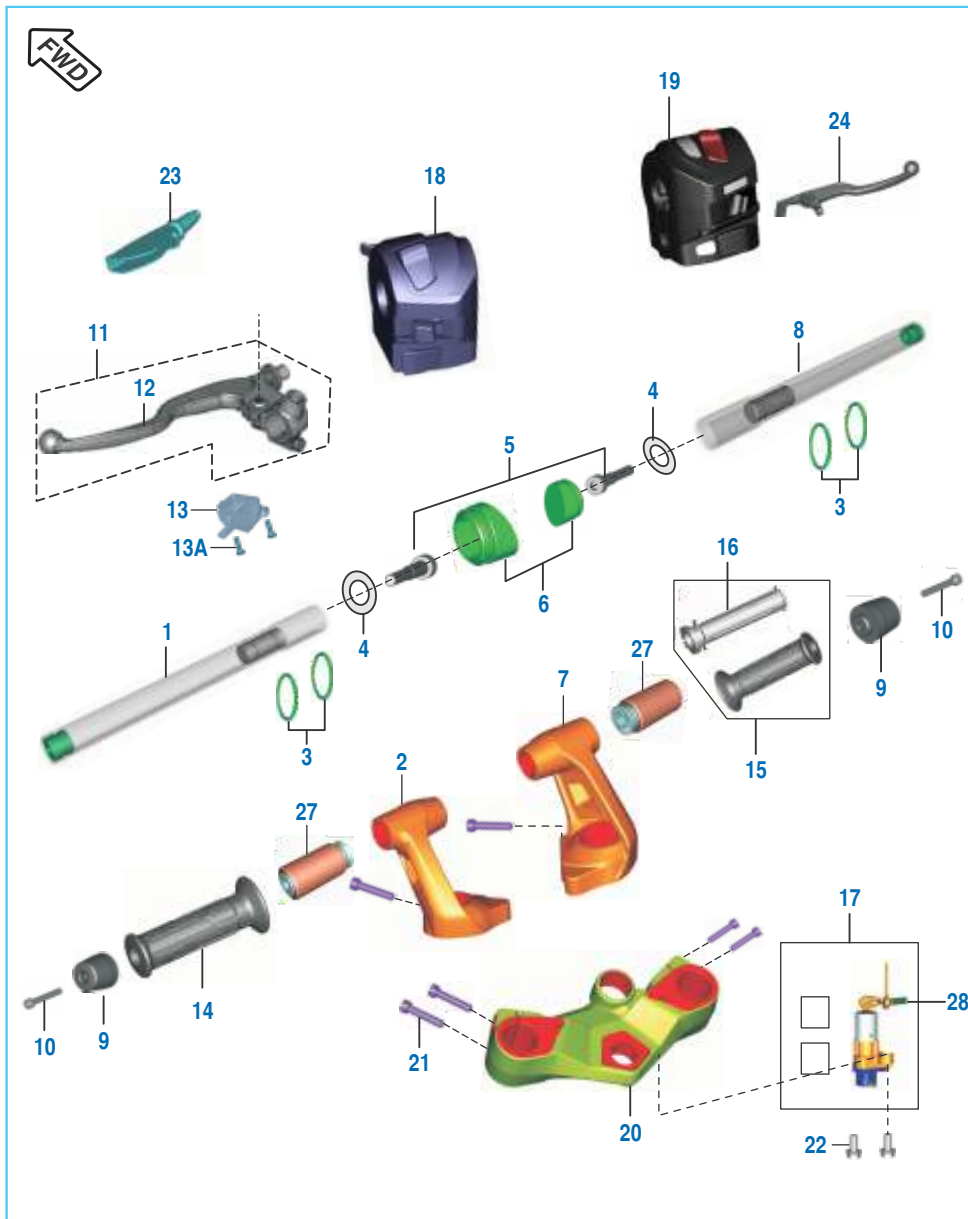
No.	Part No.	Description	Qty.		Remarks
			ABS	NON ABS	
1	DT 1610 11	Brake Pedal	1	--	BS IV
	DT 1610 01	Brake Pedal	--	1	
2	39 1769 04	Bolt - Flanged : M8	1	1	
3	DT 1610 12	Shaft Assy Brake Lever	1	--	
3A	DT 1610 00	Shaft Assy Brake Lever	--	1	
4	KA DD06 16	Bolt	--	1	
	JB 2312 08	Step Bolt	1	1	
5	JL 4014 06	Switch - Rear Brake	1	1	
6	DT 1610 04	Spring Rear Brake Switch	1	1	
7	DT 1130 34	Tension-Spring	1	1	
8	39 1537 21	O-ring	1	1	

Anti Brake Lock System



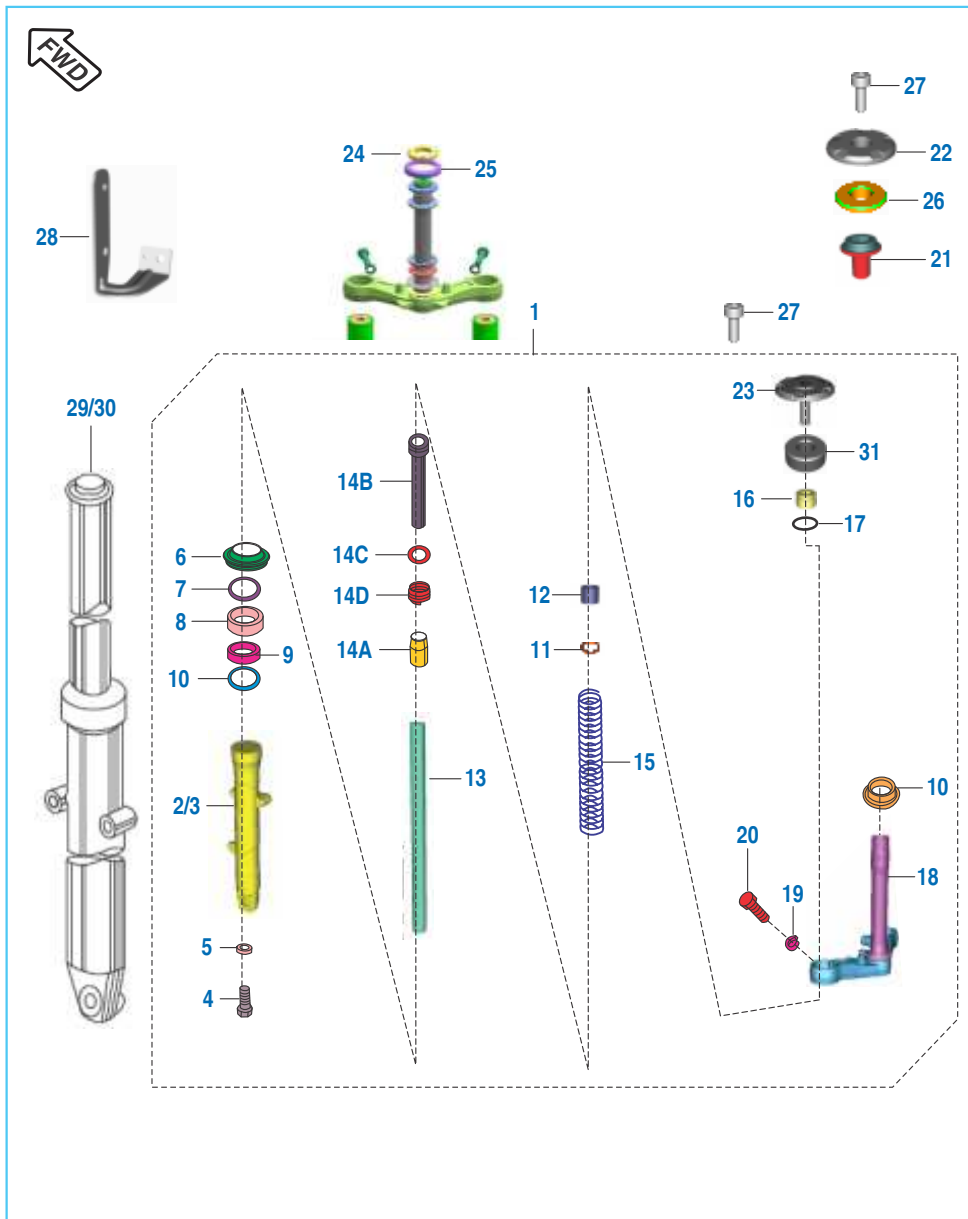
No.	Part No.	Description	Qty.		Remarks
			ABS	NON ABS	
1	DT 1318 62	ABS Unit 9.1 ML - WET	1	-	
2	36 DT00 44	Hose M Cylinder to ABS	1	-	
3	36 DT00 43	Hose Caliper to ABS	1	-	
4	DT 1138 50	Bracket ABS Mtg	1	-	
5	LA E000 21	Bolt Flanged	3	-	
6	KA ED06 12	Bolt Flanged	1	-	
7	KA ED06 08	Bolt Flanged	1	-	
8	JG 1138 26	Clamp For ABS	4	-	
9	DT 1318 72	Bkt. ABS Brake Hose Clamp	1	-	
10	DE 1910 10	Copper Washer	8	-	
11	DK 1510 69	Benjo Bolt	4	-	
12	KA EA06 22	Flanged Bolt	1	-	
12A	39 1958 04	Bolt Flanged	2	-	
13	DT 1318 72	Clamp Brake Hose Front	1	-	
14	DT 1318 37	Bracket Hose Clamp ABS	1	-	
15	KA DA06 12	Flanged Bolt	2	-	
16	KA AB08 20	Bolt M8	1	-	
17	DT 1318 49	Clamp Brake Hose	3	-	
18	DT 1318 32	Clamp Brake Hose	-	1	

Handle Bar Assembly



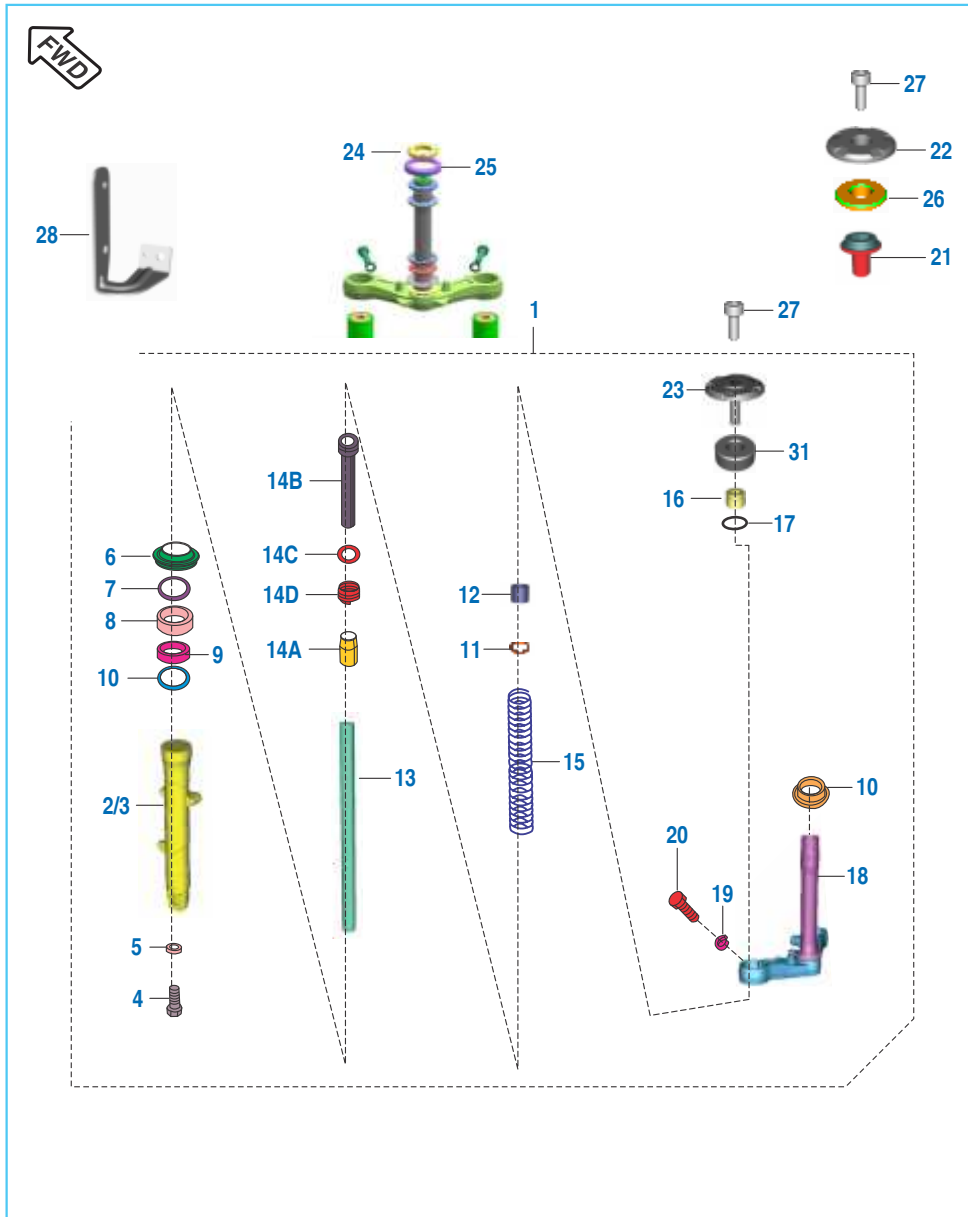
No.	Part No.	Description	Qty.		Remarks
			ABS	NON ABS	
1	DT 1510 10	Handle Bar Tube LH Assembly	1	1	
2	DT 1510 36	Holder Handle LH	1	1	
	56 DT31 33	Holder Handle LH Matt Black	1	1	BS IV
3	JL 1510 38	O Ring	4	4	
4	39 1180 11	Washer - Plain	2	2	
5	LA C000 20	Bolt Socket M8X1.25Px55L	2	2	
6	DT 1510 39	Plug Handle Holder	2	2	
7	DT 1510 37	Holder Handle RH	1	1	
	56 DT32 33	Holder Handle RH Matt Black	1	1	BS IV
8	DT 1510 12	Handlebar Tube Assy RH	1	1	
9	JL 1510 35	Handlebar Weight	2	2	
10	39 2427 04	Bolt - Hexagon M6	2	2	
11	DT 1610 07	Lever & Holder Assembly LH	1	1	
	DT 1610 10	Holder Assly LH Support Lever	1	1	
12	JG 1610 08	Lever Clutch	1	1	
13	DT 4014 08	Clutch Switch	1	1	
13A	LB U000 12	Screw	2	2	
14	JL 1610 03	Handle Grip LH	1	1	
15	DT 1610 05	Grip Hand Assy RH	1	1	
16	JG 1510 22	Pipe - Throttle	1	1	
17	DT 2326 01	Lock Set 3 In 1	1	1	
	DT 2326 06	Lock Set 3 In 1 - EVAP	1	1	BS IV
18	DT 4014 03	Switch Control LH	1	1	
19	DT 4014 04	Switch Control RH	1	1	
	DT 4014 07	Switch Control RH	1	1	BS IV
20	DT 1210 30	Bracket Upper	1	1	
	56 DT33 33	Bracket Upper Matt Black	1	1	BS IV
21	DG 1810 08	Blot Socket	6	6	
22	39 1943 04	Bolt Flange	2	2	
23	DS 1910 52	Lever Boot LH	1	1	
24	JG 1610 10	Lever RH	1	1	

Front Fork



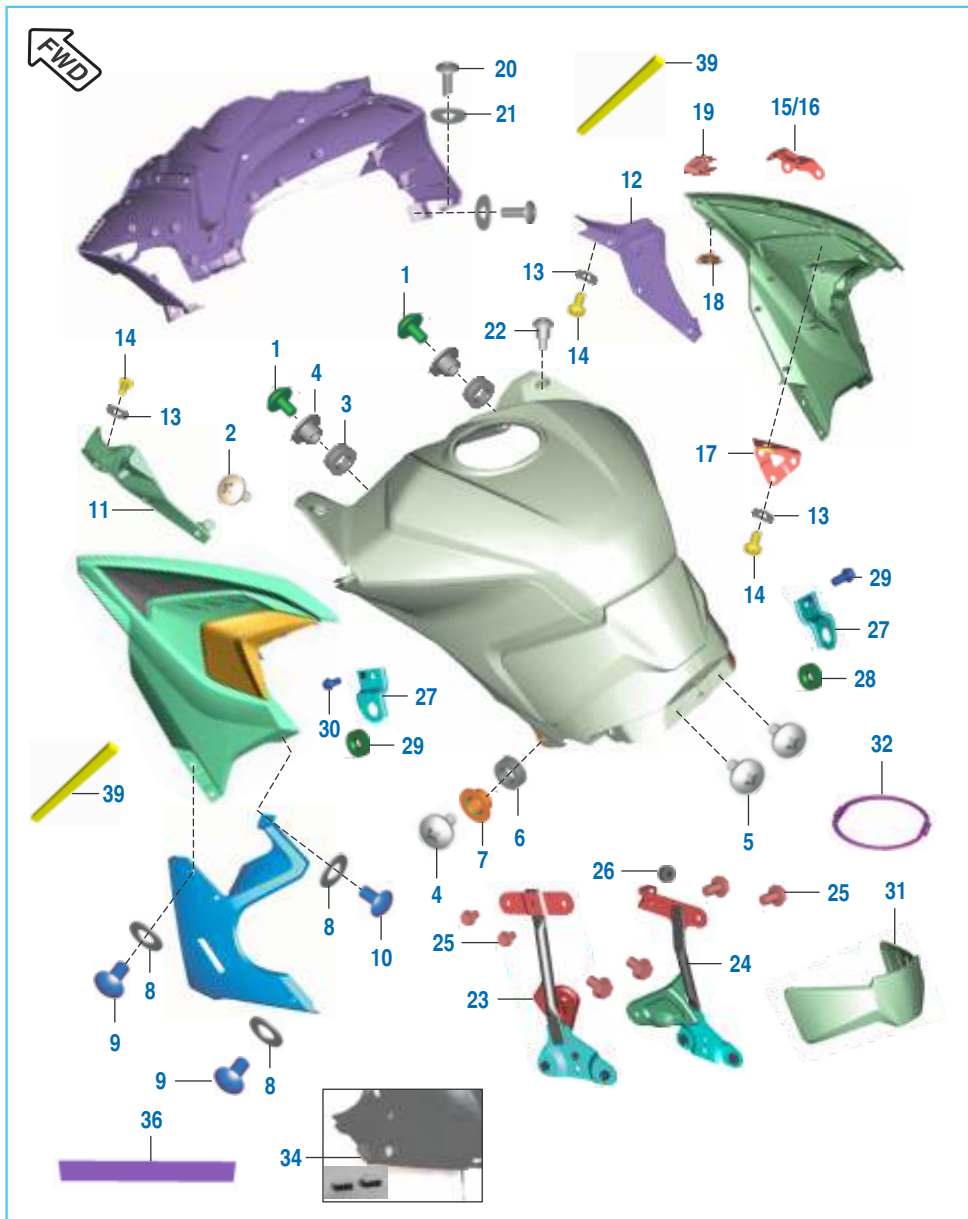
No.	Part No.	Description	Qty.		Remarks
			ABS	NON ABS	
1	DT 1210 38	Fork Assembly- Front	1	1	
	DT 1210 49	Fork Assembly- Front	1	1	
2	JL 1510 02	Tube Outer LH	1	1	
	DT 1210 52	Tube Outer LH	1	1	
3	DT 1210 40	Tube Outer RH	1	1	
	DT 1210 53	Tube Outer RH	1	1	
4	DK 1810 06	Socket Headed Bolt -M10	2	2	
5	DK 1810 07	Copper Washer	2	2	
6	DK 1810 21	Inner Dust Seal	2	2	
7	DK 1810 18	Washer Seal	2	2	
8	36 DK01 61	Fork oil seal kit	2	2	
9	DK 1810 17	Guide Bush	2	2	
10	DK 1810 20	Oil Seal Stopper	2	2	
11	DK 1810 15	Washer	2	2	
12	DT 1210 36	Spacer Tube	2	2	
13	DT 1510 40	Fork Pipe Inner	2	2	
14A	DK 1810 09	Cap Oil Lock	2	2	
14B	DT 1210 39	Seat Pipe	-	2	
	DK 1810 10	Seat Pipe	2	-	
14C	DK 1810 12	Piston Ring	2	2	
14D	DK 1810 13	Rebound Spring	2	2	
15	DT 1210 37	Spring Main Spring	2	2	
16	DT 1510 42	Fork Bolt	2	2	
17	DK 1810 23	O' Ring	2	2	
18	DT 1210 35	Under Bkt Assy Complete	1	1	
19	DK 1810 25	Spring Washer	2	2	
20	DK 1810 28	Bolt	2	2	

Front Fork



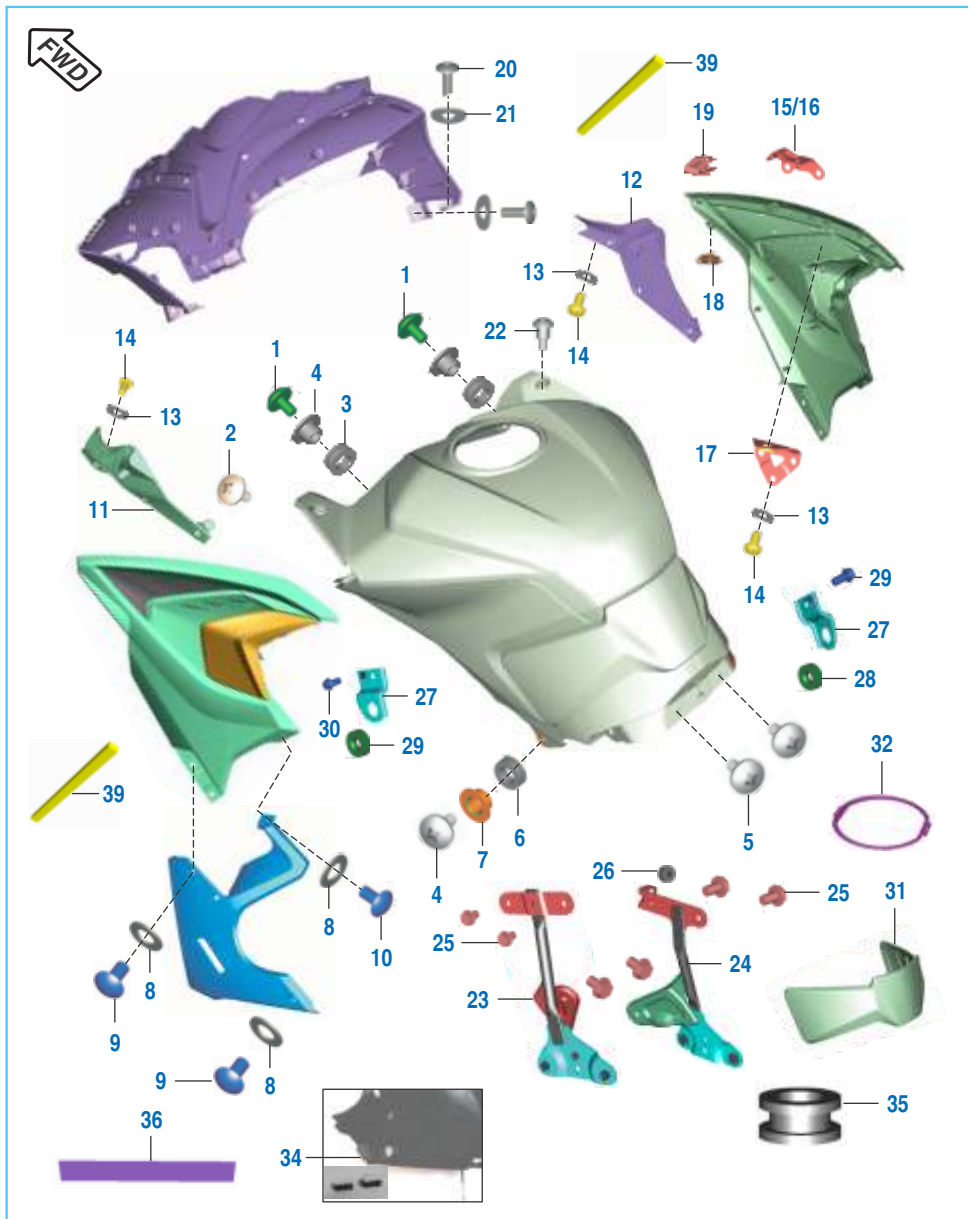
No.	Part No.	Description	Qty.		Remarks
			ABS	NON ABS	
21	DT 1210 31	Steering Top Bolt	1	1	
22	DT 1210 32	Cap Steering Top Bolt	1	1	
23	DT 1510 43	Cap Fork Top Bolt	2	2	
24	DK 1810 75	Nut Steering	1	1	
25	PD 1510 06	Cap Steering	1	1	
26	DT 1510 46	Damper Steering Top Bolt Cap	1	1	BS IV
27	LA C000 68	Bolt Socket	3	3	
28	DT 1318 72	Bkt ABS Brake Hose Clamp	1	-	
29	DT 1210 50	Leg Assembly LH	1	1	N.I.
30	DT 1210 51	Leg Assembly RH	1	1	N.I.
31	DT 1210 47	Rubber Damper Fork Top Cap	2	2	BS IV

Fittings - Petrol Tank Cover



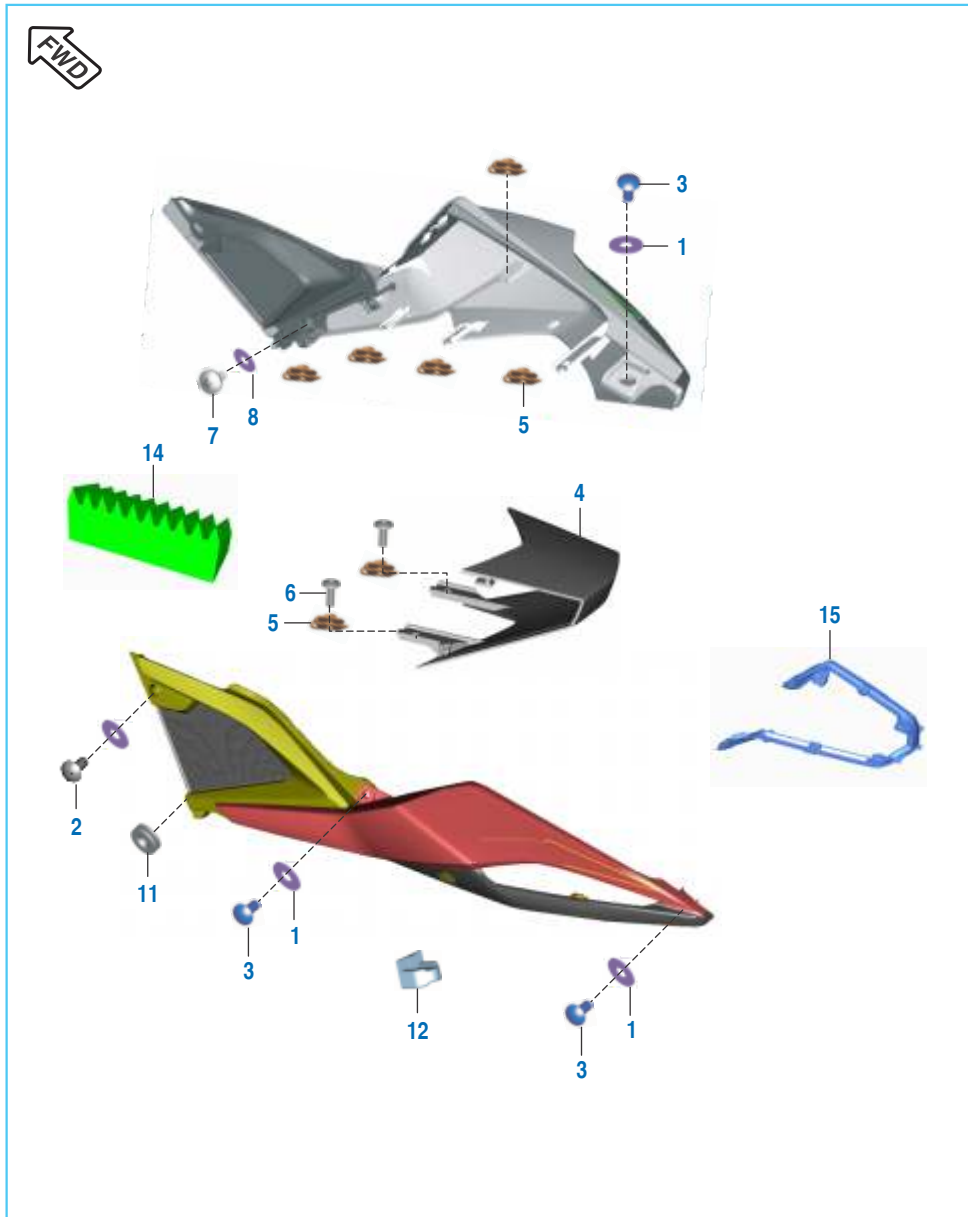
No.	Part No.	Description	Qty.		Remarks
			ABS	NON ABS	
1	LA C000 22	Bolt	2	2	
2	LB U000 27	Screw	2	2	
3	DT 1710 53	Grommet	2	2	
	DT 1710 52	Grommet Tank Cover Top	2	2	
4	DT 1710 80	Collar	2	2	
5	JW 1710 16	Screw	2	2	
6	DT 1812 74	Collar Side Cover	2	2	
7	DT 1710 53	Grommet Tank Side Cover	2	2	
	DT 1710 41	Collar	2	2	BS IV
8	KD BC06 13	Plain Washer	8	8	
9	KB UB06 12	Mushroom Round Head Screw	6	6	BS IV
	KB UF06 12	Screw Truss	6	6	BS IV
10	JW 1710 16	Screw	2	2	
11	DT 1812 15	Side Fairing Enclosure LH	1	1	
12	DT 1812 28	Side Fairing Enclosure RH	1	1	
13	LD A000 07	Washer Plain Small	14	14	
14	LB R000 02	Self Tapping Screw-	14	14	
15	DT 1812 91	Bracket Side Fairing Front LH	1	1	
16	DT 1812 92	Bracket Side Fairing Front RH	1	1	
17	DT 1812 93	Bracket Side Fairing Rear	2	2	
18	DJ 1612 29	Clip Nut M5	2	2	
19	GL 1810 43	Clip Snap	2	2	
20	39 1907 01	Mushroom Head Screw M-5	4	4	

Fittings - Petrol Tank Cover



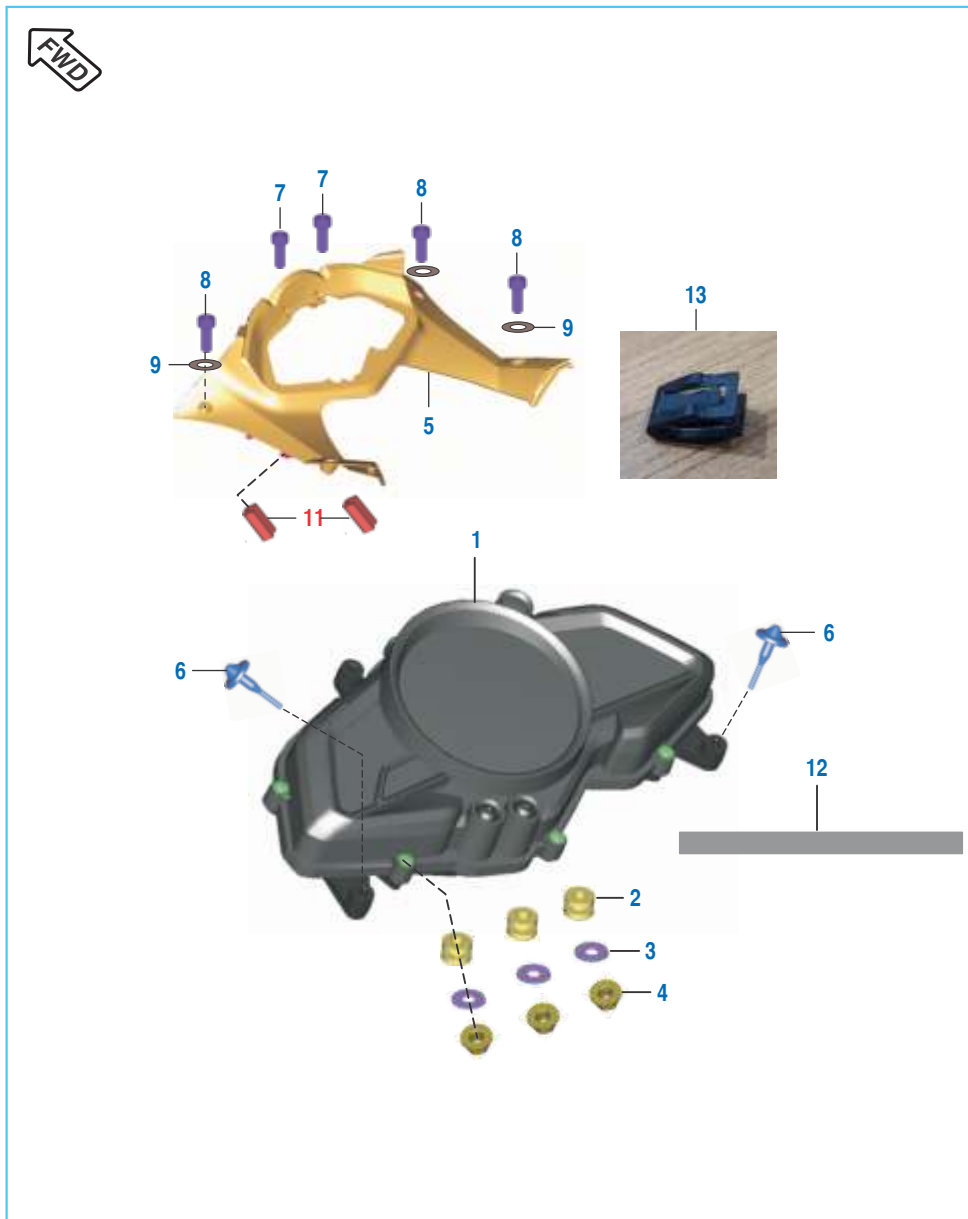
No.	Part No.	Description	Qty.		Remarks
			ABS	NON ABS	
21	39 2141 24	Washer Non Metallic	4	4	
22	DT 1812 73	Step Bolt Tank Cover Top	2	2	
23	DT 1812 44	Fairing Structure Middle LH	1	1	
24	DT 1812 46	Fairing Structure Middle RH	1	1	
25	LA D000 40	Bolt	6	6	
26	JG 1138 06	Grommet Coolant Ex Tank	1	1	
27	DT 1138 15	Bracket Fairing Mtg Lower LH	1	1	
28	DT 1138 30	Bracket Fairing Mtg Lower RH	1	1	
29	DT 1812 65	Grommet Side Cover	2	2	
30	KA EA06 12	Bolt Flanged	2	2	
31	DT 1710 30	Foam Tank Cover	1	1	
32	DT 1710 82	Beading Tank Cover	1	1	
33	36 DT00 03	Kit Hardware P Tank Cover	1	1	
34	DT 1810 34	Foam Tank Cover	2	2	
35	DT 1710 73	Grommet Tank Cover Assly	2	2	N.I.
36	DT 1810 30	Tape Anti - Abrasive 3M	8	8	

Fittings - Side Covers & Cover Seat



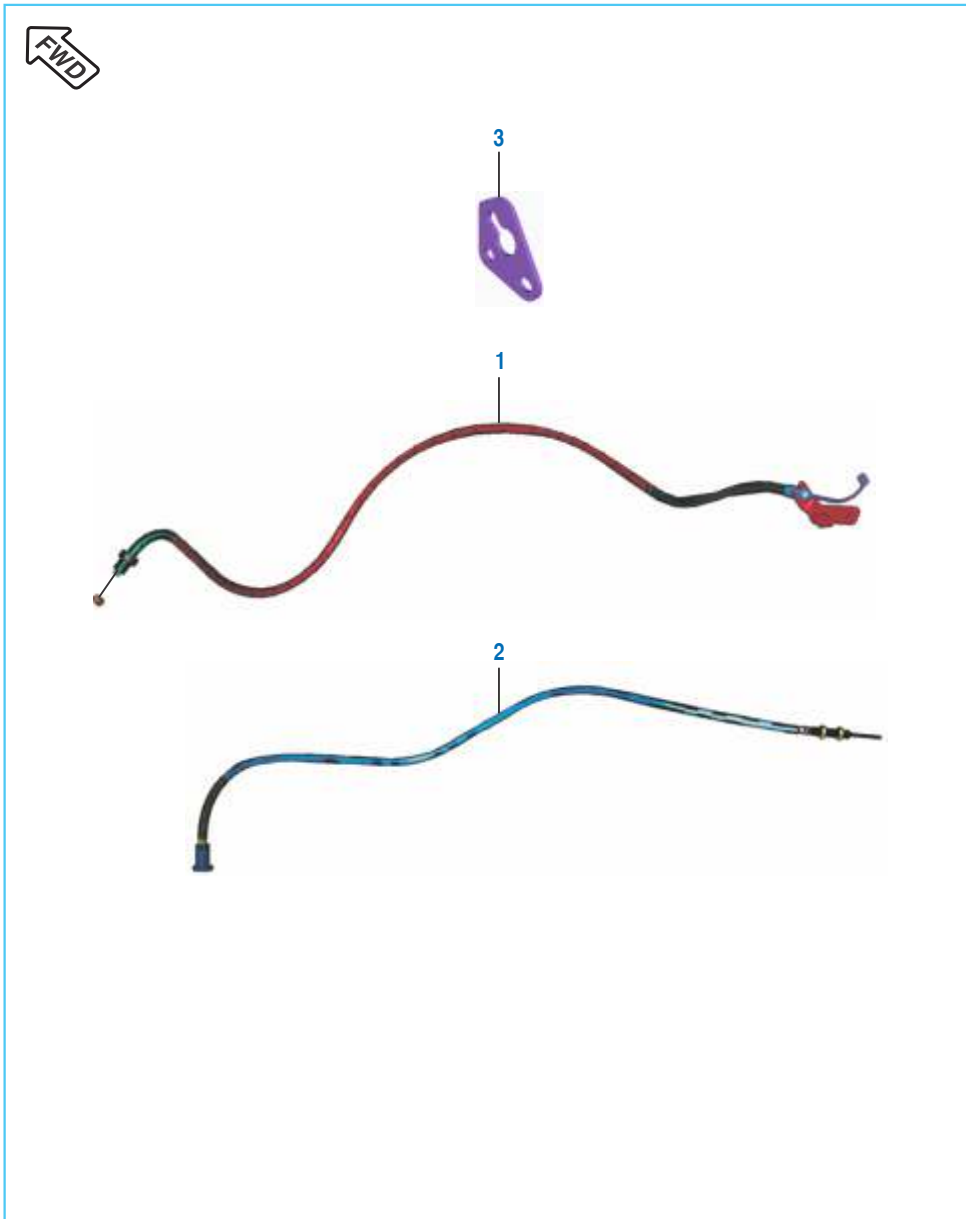
No.	Part No.	Description	Qty.		Remarks
			ABS	NON ABS	
1	39 0239 11	Plain Washer	6	6	
2	JW 1710 16	Mushroom Head Screw M6x18	2	2	
3	KB UB06 14	Mushroom Head Screw M6x14	4	4	
	KB UF06 14	Screw Truss M6 x 14	6	6	
4	DT 1812 10	Seat Cowl Central Top	1	1	N.I.
5	DJ 1612 29	Clip Nut M5	12	12	
6	LB U000 23	Screw M5	2	2	
7	LB R000 03	Screw	3	3	
7A	LB R000 04	Screw	3	3	
8	LD A000 07	Washer Plain Small	2	2	
10	39 1791 04	Screw	2	2	
11	DT 1812 65	Grommet Side Cover	2	2	
12	JZ 1813 22	Grommet Side Cover	2	2	
13	36 DT00 02	Kit Hardware S Cowl & S Cvr	1	1	N.I.
14	DT 1810 13	Damper Side Cover	2	2	
15	DT 1812 07	Flange Seat Cover LH	1	1	

Meter Assembly



No.	Part No.	Description	Qty.		Remarks
			ABS	NON ABS	
1	DT 4024 08	Speedometer Assembly	1	-	
	DT 4024 20	Speedometer Assembly	1	-	BS IV
	DT 4024 21	Speedometer Assembly	--	1	BS IV
2	JG 1812 38	Grommet Dashboard	3	3	
3	LD B000 07	Washer Plain	3	3	
4	39 0291 15	Nut - Hexagon M5 X 0.8	3	3	
5	DT 1812 33	Speedo Flap	1	1	
6	DT 1812 55	Damper Speedo Flap	2	2	
7	KA Cd05 16	Bolt-Socket-Dia-05 L-14	2	2	
8	DT 1810 10	Trust Screw	4	4	
9	39 2141 24	Washer non Metallic	4	4	
10	YD T020 04	Spdomtr Top Cover & 'O' ring	1	1	N.I.
11	DT 1810 11	Tape Front Fairing	4	4	
12	DT 4024 15	Foam Speedomter	1	1	BS IV
13	GL 1810 43	Clip Snap	3	3	

Control Cables



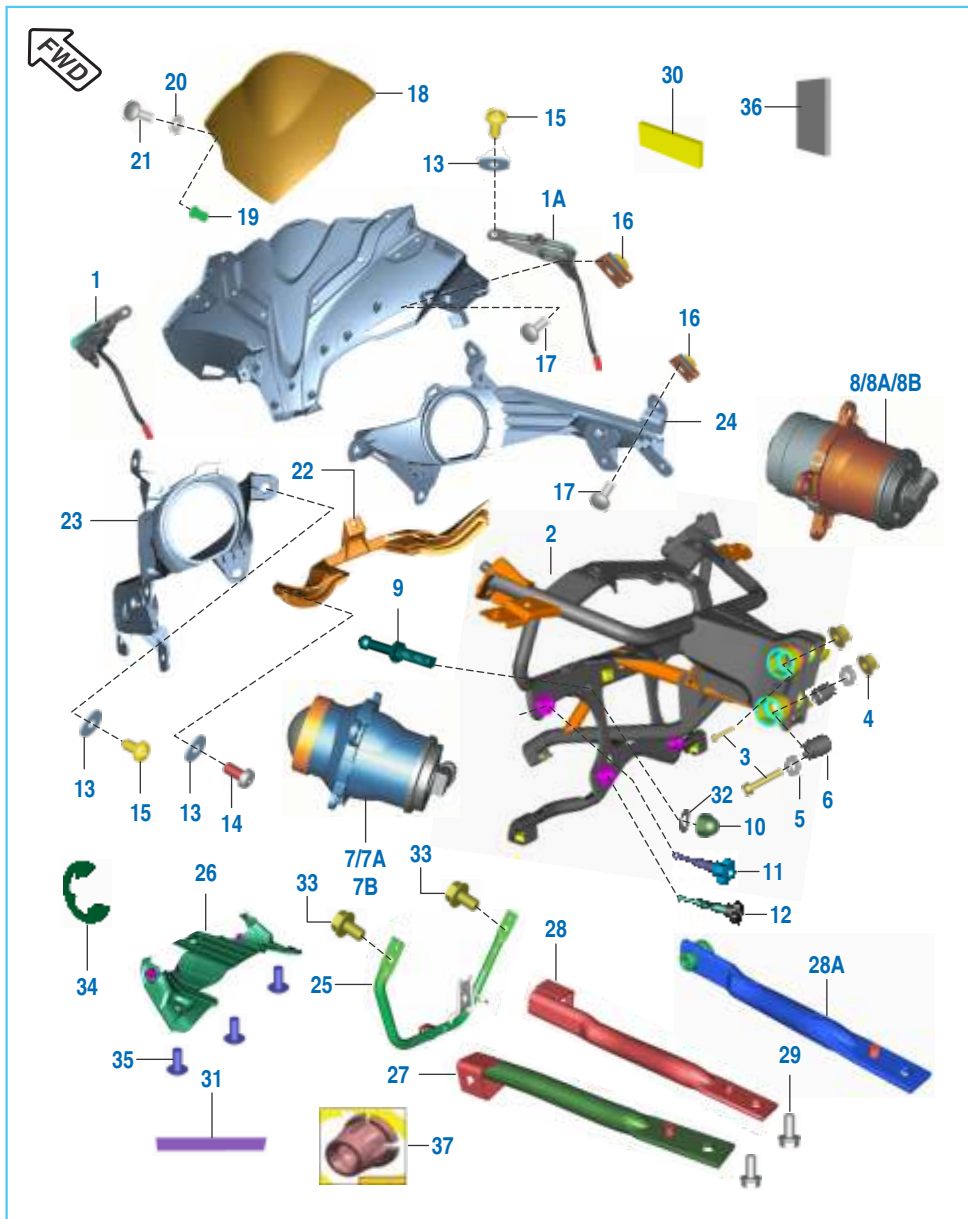
No.	Part No.	Description	Qty.		Remarks
			ABS	NON ABS	
1	DT 1612 04	Cable Throttle	1	1	
2	DT 1612 03	Cable Clutch	1	1	
3	JG 5814 19	Bracket Throttle Cable	1	1	

Chain Case



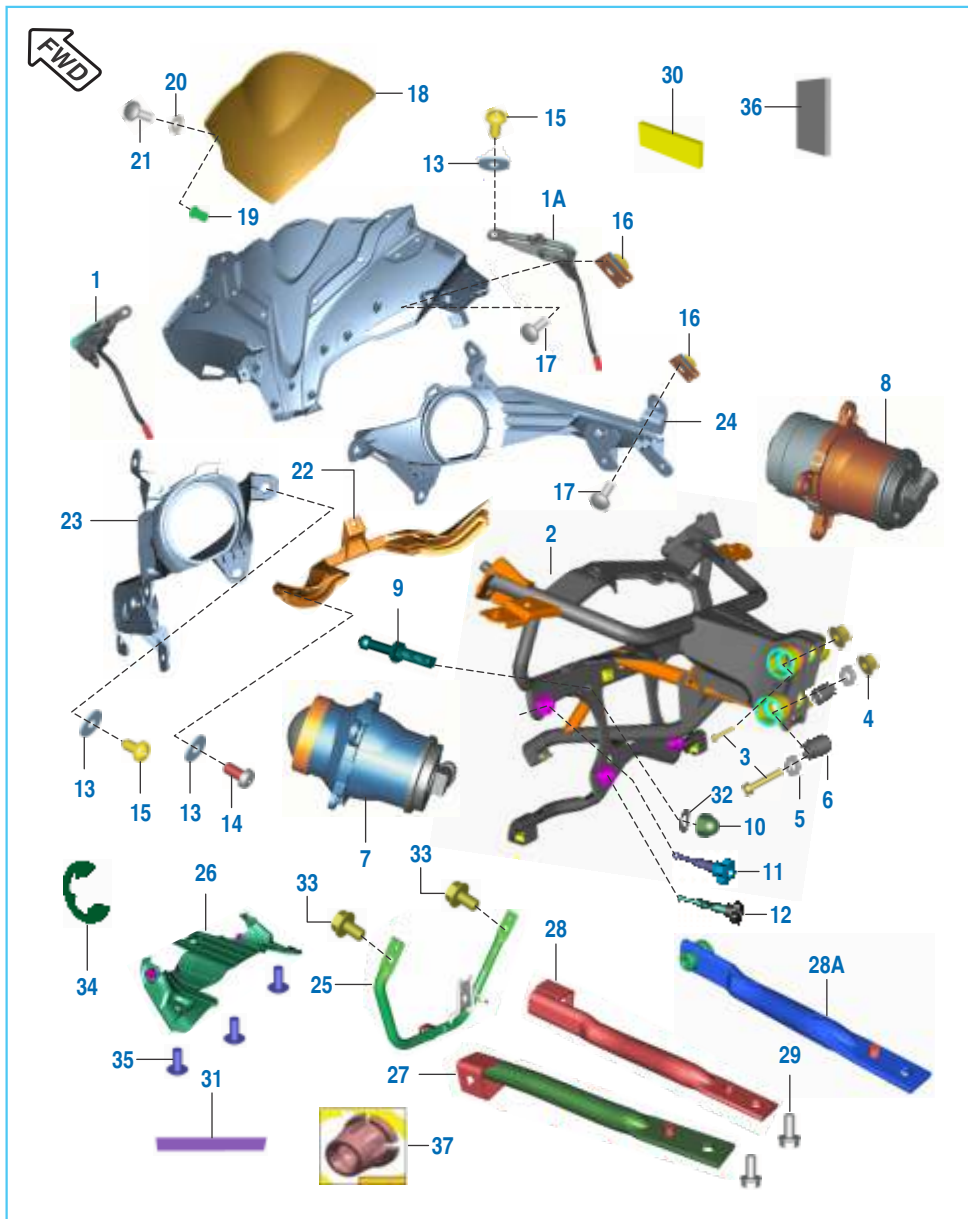
No.	Part No.	Description	Qty.		Remarks
			ABS	NON ABS	
1	JL 1812 05	Cover Assembly Chain	1	1	
2	JG 1220 28	Extruded Washer	2	2	
3	39 1791 04	Bolt Flanged M6X8	2	2	
4	DK 9026 26	Bolt	2	2	BS IV
	DT 1814 14	Assembly Hugger Rear	1	1	
5	DT 1814 16	Assembly Rear Hugger Comp	1	1	
	DT 1810 00	Tube Rear Hugger Mtg	1	1	
6	DT 1814 15	Cover 1- Hugger Rear	1	1	
7	JL 1814 08	Cover 2- Hugger Rear	1	1	
8	KB UF04 10	Screw	6	6	
	KB UF04 08	Screw Truss	6	6	BS IV
9	LA C000 37	Bolt Soc-special Head	3	3	
10	39 0265 12	Spring Washer	2	2	
11	LA C000 36	Bolt Special Socket	2	2	
12	JL 1814 10	Collar Hugger Rear	2	2	
13	JL 1812 53	Chain Cover RH Side	1	1	
14	LA C000 08	Bolt Socket Head	2	2	
	LA C000 54	Bolt Socket M6 x 1 x L16	2	2	
15	KD AD06 11	Washer Plain Small	2	2	N.I.
16	JL 1812 97	Collar	2	2	
17	DS 2210 01	Plug	2	2	BS IV

Head Lamp & Fairing



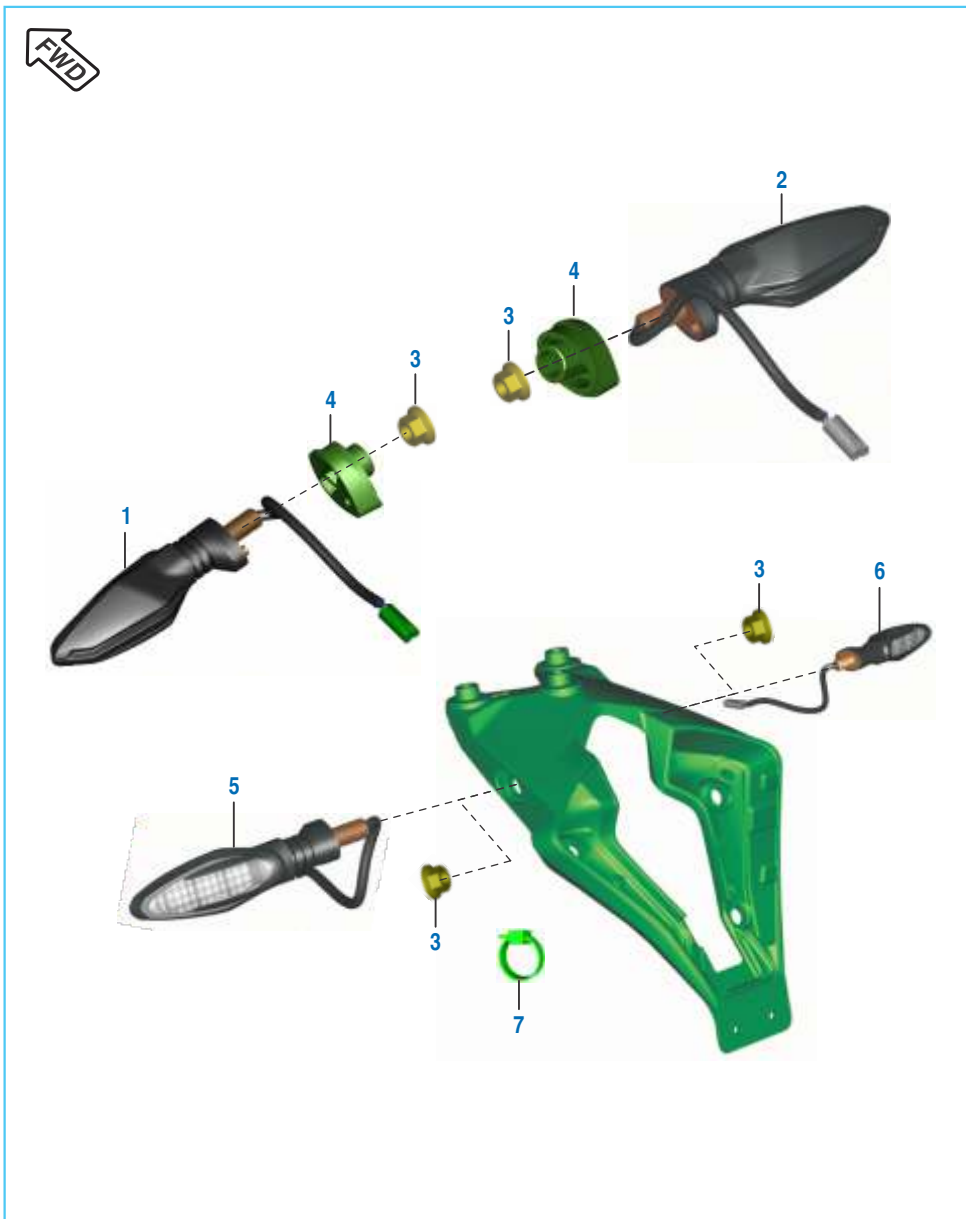
No.	Part No.	Description	Qty.		Remarks
			ABS	NON ABS	
1	DT 4010 09	Front Position Lamp LH	1	1	
1A	DT 4010 10	Front Position Lamp RH	1	1	
2	DT 1812 42	Fairing Structure	1	1	
3	LA D001 20	Bolt Flange M8 X 45L	2	2	
4	39 2535 15	Hex Nut Flange M8	2	2	
5	DT 1813 10	Trust Washer	4	4	
6	DT 1813 11	Spacer Structure Mtg Front	4	4	
7	DT 4010 08	Low Beam Projector	1	1	
7A	DT 4010 12	Low Beam Bulb	1	1	
7B	YD T020 02	Low Beam Projector W/O bulb	1	1	
8	DT 4010 11	High Beam	1	1	
8A	YD T020 01	High Beam Bulb	1	1	
8B	YD T020 03	High Beam Projector W/O bulb	1	1	
9	DT 4010 17	Pivot Screw M6	2	2	
10	KC EA06 05	Nut Domed Cap Single Piece	2	2	
	KC EE05 04	Nut Dome Cap Single Piece	2	2	
11	DT 4010 18	Adjusting Bolt	2	2	
12	DT 4010 19	Adjusting Bolt M10	2	2	
13	LD A000 07	Washer Plain Small	5	5	
14	39 1776 02	Screw Pan Head	2	2	
15	LB R000 02	Self Tapping Screw	4	4	
16	DJ 1612 29	Clip Nut M-5	2	2	

Head Lamp & Fairing



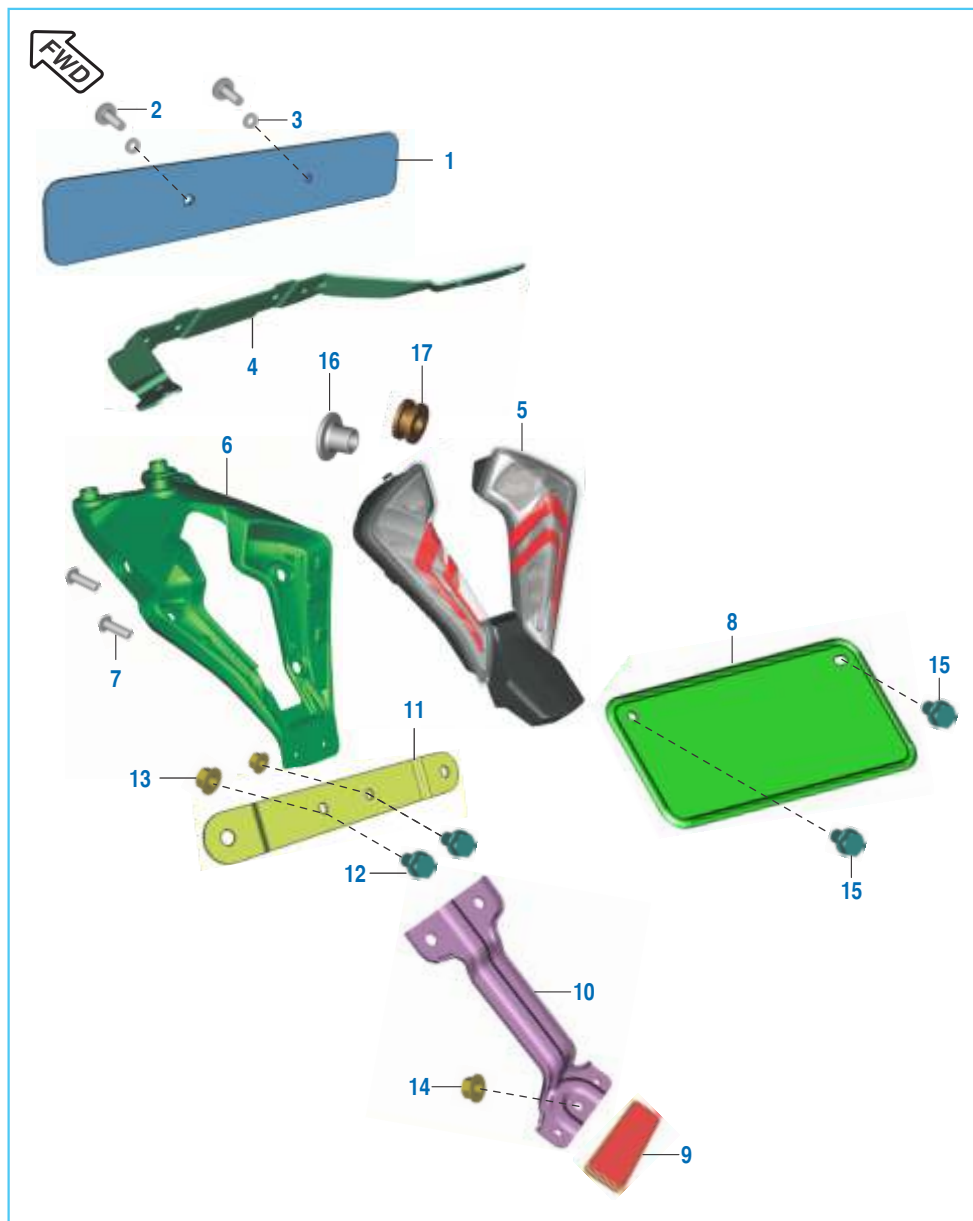
No.	Part No.	Description	Qty.		Remarks
			ABS	NON ABS	
17	39 1907 01	Mushroom Head Screw	2	2	
18	DT 1812 32	Visor	1	1	
19	JG 1812 36	Well Nut M5x15.9lx1..3t	6	6	
20	39 2141 24	Washer Non Metallic	10	10	
21	JZ 1812 06	M5 X 21 L Ss Bolt	6	6	
22	56 DT36 6B	Front Bezel-Moon Light Silver	1	1	
23	DT 1812 67	Outer Mask LH	1	1	
24	DT 1812 68	Outer Mask RH	1	1	
25	DT 1812 75	Fairing Structure Middle	1	1	
26	DT 1812 85	Cover Fairing Mtg Lower	1	1	
27	DT 1812 94	Fairing Structure Lower LH	1	1	
28	DT 1812 95	Fairing Structure Lower RH	1	1	
28A	DT 1813 25	Lower Fairing Structure RH	1	1	BS IV
29	JW 1812 28	Bolt	2	2	
30	DT 1810 11	Tape Front Fairing	2	2	
31	DT 1810 30	Tape Anti - Abrasive 3M	6	6	
32	KD AE05 10	Washer Plain Small	2	2	
33	KA DB06 10	Bolt Flanged	2	2	
34	KE CA60 08	Circlip Type - E	4	4	
35	KB UF06 14	Screw Truss M6 x 1 x L14	3	3	
36	JN 1810 31	Foam Fairing	4	4	
37	YD T020 05	Grommet Project	6	6	

Indicator Light Assembly



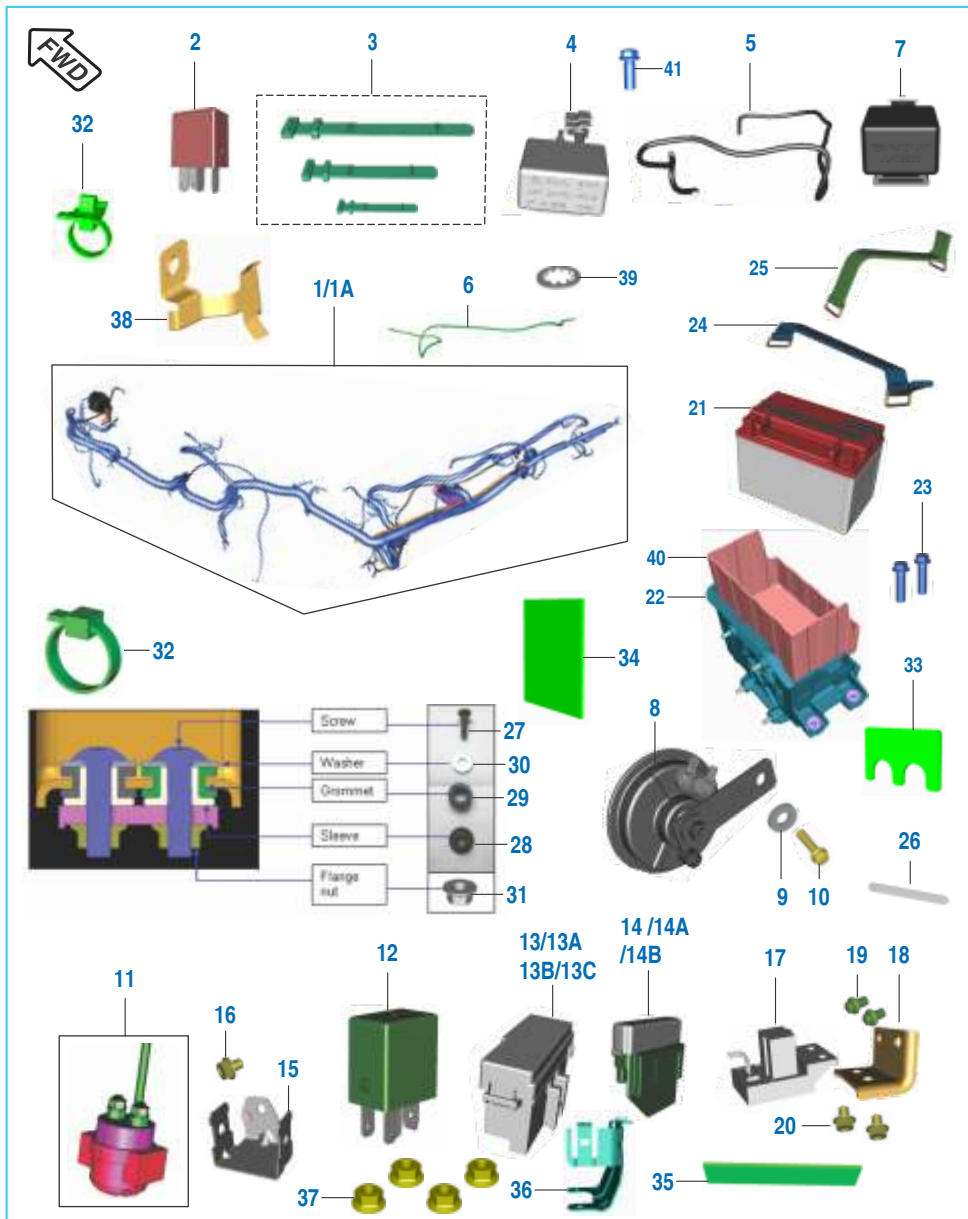
No.	Part No.	Description	Qty.		Remarks
			ABS	NON ABS	
1	DT 4010 02	Indicator Assy Front LH	1	1	
2	DT 4010 03	Indicator Assy Front RH	1	1	
3	39 1225 15	Nut-Hexagon with Flange: M10	4	4	
4	DT 1138 19	Spacer Blinker Mtg	2	2	
5	DT 4010 04	Indicator Assy Rear LH	1	1	
6	DT 4010 05	Indicator Assy Rear RH	1	1	
7	PA 4022 04	Band (Length 110 MM)	2	2	BS IV

Tail Lamp Assembly / Front Number Plate



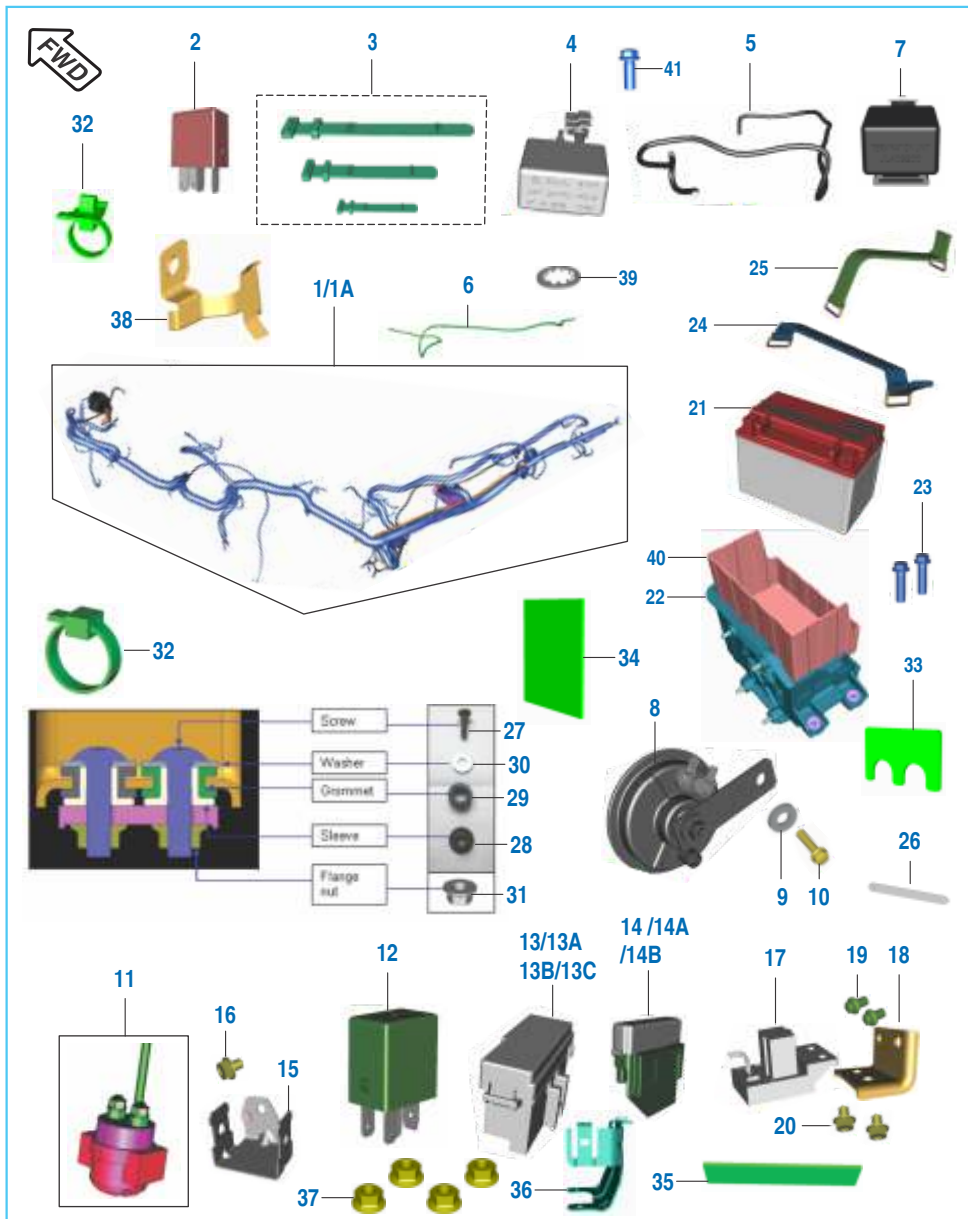
No.	Part No.	Description	Qty.		Remarks
			ABS	NON ABS	
1	JU 2328 00	Front Number Plate	1	1	
2	LB U000 09	Screw Mushroom Head	2	2	
3	39 2141 24	Washer None Metallic	2	2	
4	DT 1812 48	Number Plate Mtg bracket	1	1	
5	DT 4010 01	Lamp Tail Assembly	1	1	
6	DT 1138 07	Bracket Rear Blinker Mtg	1	1	
7	DT 1138 18	Screw M-5	4	4	
8	DP 1611 45	Rear Number Plate	1	1	
9	JG 4010 36	Reflector - Reflex	1	1	
10	DT 1138 13	Bracket-Reflector Reflex Mtg	1	1	
11	JD 1138 00	Bracket Rr Number Plate Mtg	1	1	
12	39 2476 04	Hex Head With Flange M-6	2	2	
13	39 2124 15	Flange Nut	2	2	
14	39 1972 15	Nut Hexagon with Flange	1	1	
15	39 2476 04	Bolt Hex Head with Flange	2	2	
16	DT 1138 24	Sleeve	4	4	
17	DT 1138 17	Grommet	4	4	

Electrical Equipments



No.	Part No.	Description	Qty.		Remarks
			ABS	NON ABS	
1	DT 4022 20	Harness Wiring - ABS	1	--	
	DT 4022 12	Harness Wiring	--	1	
1A	DT 4022 41	Harness Wiring	1	--	BS IV
	DT 4022 42	Harness Wiring	--	1	BS IV
2	JL 4030 00	Relay Inter lock	1	1	
3	36 DT00 04	Kit Band Wiring Harness	1	1	
4	DT 4020 05	Light Control Module	1	1	
	DT 4020 08	LED Flasher	1	1	BS IV
5	DT 4022 18	Cable Assy Relay To Motor	1	1	N.I.
6	DT 4022 23	Cable Earth	1	1	N.I.
7	JL 4032 00	Termination Unit	1	--	
	JG 4020 05	Termination Unit	--	1	
8	PA 4016 00	Horn LH	1	1	
9	39 1507 11	Washer - Plain	1	1	
10	KA DA08 14	Hex Head Bolt - Flanged M8	1	1	
11	JN 3516 04	Starter Relay- With Grommet	1	1	
12	JL 4030 01	Relay- Aux1diode	1	1	
13	DT 4022 04	Fuse Box	1	1	
13A	DT 4022 26	Fuse - 7.5A	5	5	Not Illustrated
13B	JG 4022 29	Fuse 15A	5	5	Not Illustrated
13C	JG 4022 30	Fuse 30A	2	2	Not Illustrated
14	GL 4022 10	Fuse Box	1	1	
14A	JG 4022 34	Fuse 25A	2	2	Not Illustrated
14B	60 1115 28	Fuse 10A	2	2	Not Illustrated
15	DT 1138 01	Bracket Starter Relay Loose	1	1	
16	KA DA06 08	Bolt Flanged	1	1	
17	JG 4032 00	Sensor Roll Over	1	1	
	JY 4036 04	Sensor Roll Over	1	1	BS IV
18	DT 1138 00	Bracket Roll Over Sensor	1	1	
	JF 1138 42	Bracket Roll Over Sensor Mtg	1	1	BS IV
19	LA E000 17	Bolt Flanged	2	2	
	KA CF06 12	Bolt Socket	2	2	BS IV
20	KA EA05 10	Bolt Flanged-Small	2	2	

Electrical Equipments



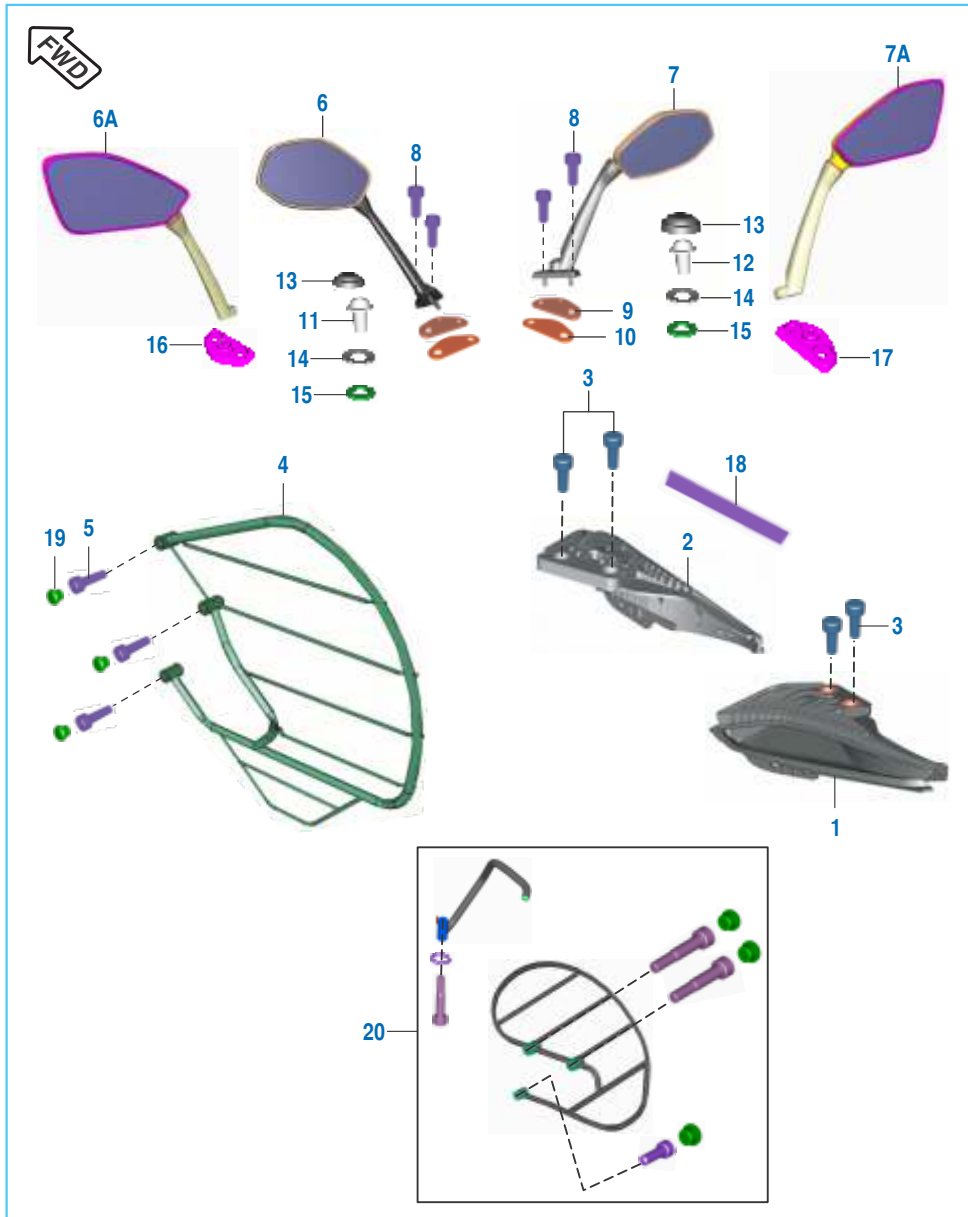
No.	Part No.	Description	Qty.		Remarks
			ABS	NON ABS	
21	36 JU00 15	12V 8Ah Battery	1	1	
22	DT 1810 21	Assembly Battery Case	1	1	
	JF 1812 73	Assembly Battery Case	1	1	BS IV
23	KA EA06 22	Bolt	4	4	
24	JL 1138 25	Band Battery Case Vertical	1	1	
25	DT 1810 22	Band Battery Case	1	1	
26	DT 1138 49	Strap ECU harness	1	1	
27	KB UC05 20	Screw	2	2	Bulletin 2015_29
	KB UC06 25	Screw Truss M6 x 1 x L25	2	2	
28	DT 1138 06	Sleeve	2	2	Bulletin 2015_29
29	JL 1812 56	Grommet	2	2	Bulletin 2015_29
30	39 0239 11	Washer	2	2	Bulletin 2015_29
31	39 1972 15	Nut Flanged	2	2	Bulletin 2015_29
	KC GA06 06	Nut Hex Flanged	2	2	
32	60 1114 15	Cable Tie Lock 5	2	2	
	PA 4022 04	Band (Length 110 mm)	3	1	BS IV
33	DT 1813 18	Foam Battery Case - Vert ECU	2	2	
34	DT 1813 19	Foam Battery Case I Vert ECU	1	1	
35	DT 1813 20	Foam Battery Case II Vert ECU	4	4	
36	DT 1138 51	Bracket Fuse Box Mtg Loose	1	1	
37	KC GA06 06	Nut Hex Flanged	4	4	
38	JG 5412 23	Bracket Harness G2	1	1	
39	LD F000 02	Washer Toothed	3	3	BS IV
40	JF 1813 08	Rubber Battery Case	1	1	BS IV
41	KA ED06 16	Bolt Flange	1	1	

Tool Kit



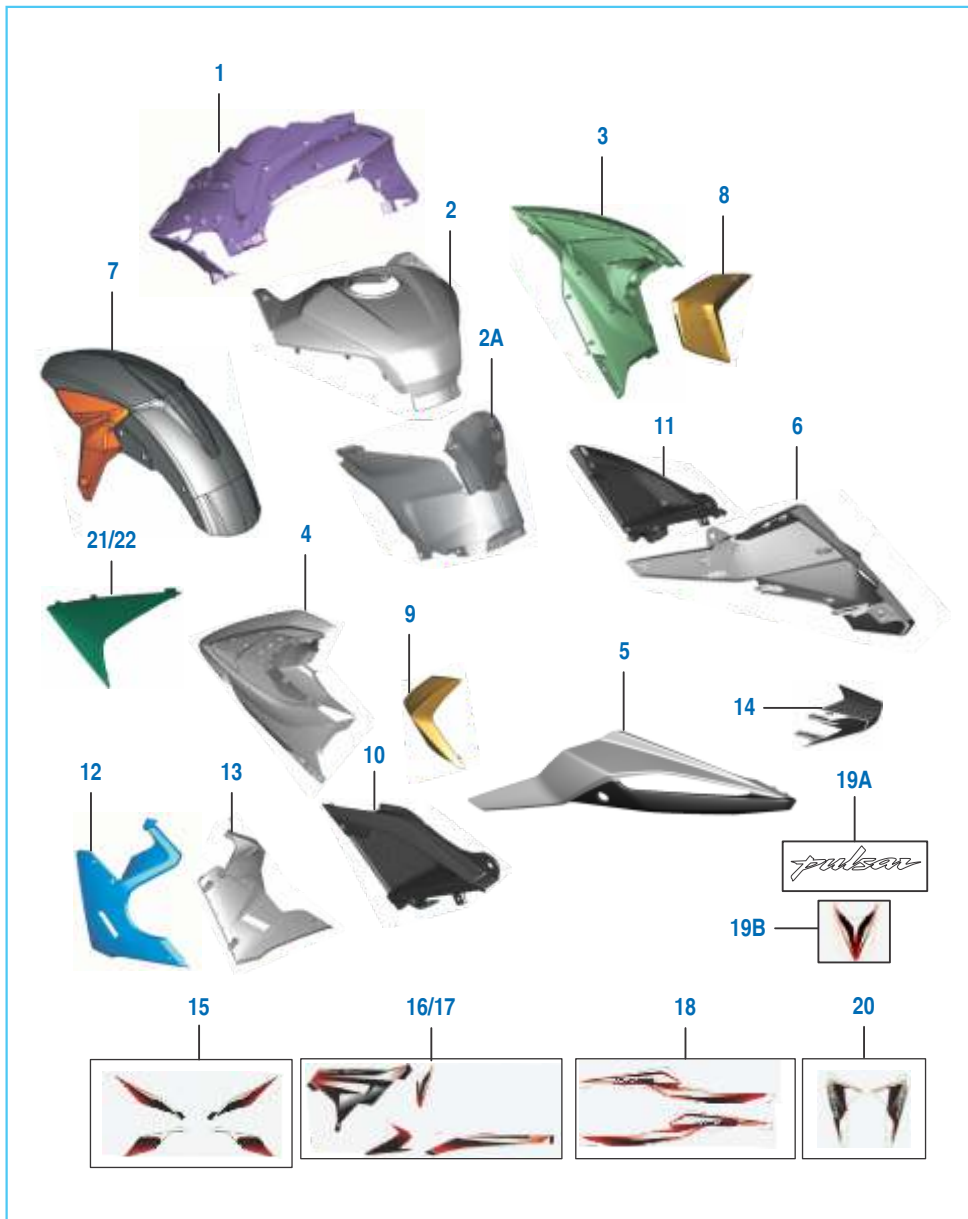
No.	Part No.	Description	Qty.		Remarks
			ABS	NON ABS	
1	JL 2310 04	Tool Kit	1	1	Not Serviceable BS IV
	DT 2310 02	Kit Tool	1	1	
2	DT 2310 00	Box Tool Kit	1	1	
3	KA EA06 12	Bolt Flanged	1	1	
4	KD AB06 11	Washer Plain	1	1	

Accessories / Grab Handle



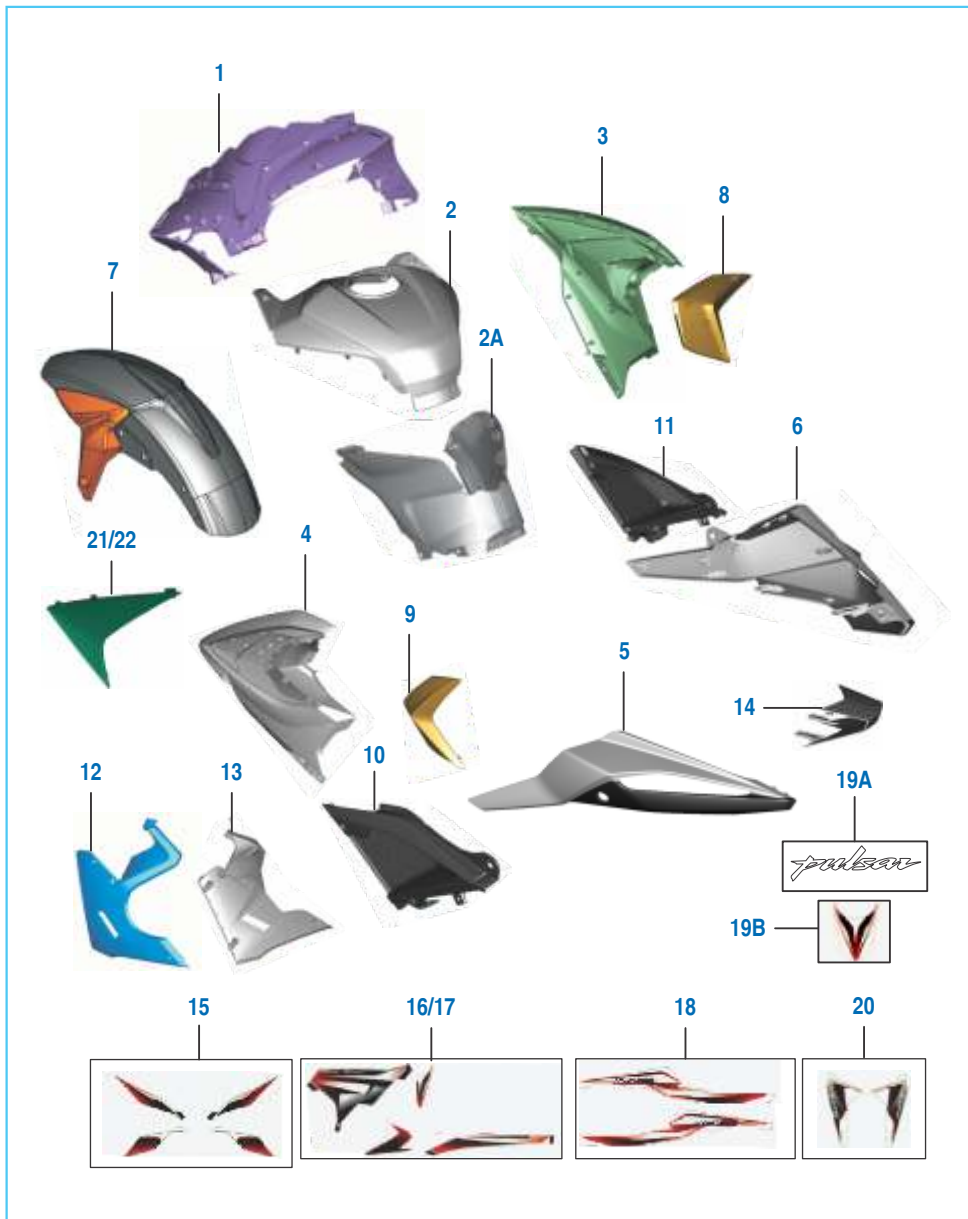
No.	Part No.	Description	Qty.		Remarks
			ABS	NON ABS	
1	DT 2314 04	Grab Handle Assy LH	1	1	
2	DT 2314 05	Grab Handle Assy RH	1	1	
3	KA CA08 30	Bolt Socket M8 X 1.25	4	4	
4	JL 2312 02	Guard Saree	1	1	
5	KA CB06 22	Bolt Socket L-22	3	3	
	KA CB06 18	Bolt Master KAC	3	3	BS IV
6	DT 2316 00	Mirror Assembly LH	1	1	
6A	DT 2316 11	Mirror Assembly LH	1	1	BS IV
7	DT 2316 01	Mirror Assembly RH	1	1	
7A	DT 2316 12	Mirror Assembly RH	1	1	BS IV
8	LA C000 22	Bolt	4	4	
9	DT 1812 84	Pad Mirror Mounting	2	2	
10	DT 1812 99	Pad Mirror Base Mtg.	2	2	
11	DT 2316 07	Bolt Mirror Mtg LH Thread	1	1	
12	DT 2316 08	Bolt Mirror Mtg RH Thread	1	1	
13	DT 2316 06	Plug Mirror Mtg.	2	2	
14	LD H000 08	Conical Washer	4	4	
15	39 0200 11	Plain Washer	4	4	
16	DT 2316 09	Bracket Mirror Mounting LH	1	1	BS IV
17	DT 2316 10	Bracket Mirror Mounting RH	1	1	BS IV
18	JD 1710 18	Duel Lock Tape 3M	1	1	BS IV
19	JL 2312 09	Plug Saree Gaurd	3	3	BS IV
20	36 DT00 82	Kit saree guard+grab+fitting	1	1	Refer Kit List

Painted Parts and Decals



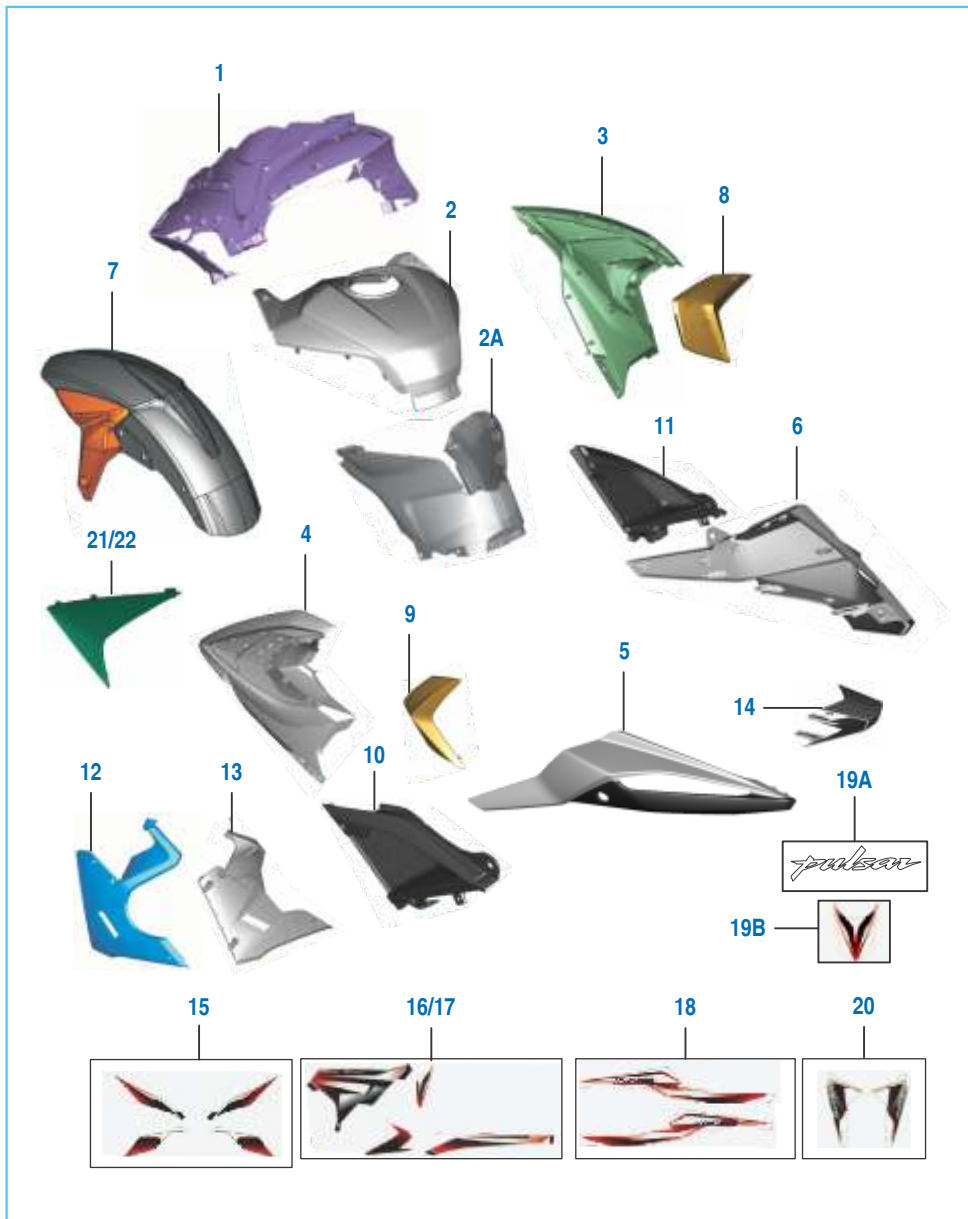
No.	Part No.	Description	Qty.		Remarks
			ABS	NON ABS	
1	52 DT01 74	Front Fairing With Decal	1	1	Bright Yellow Racing Red Ser Bulletin 2015-35
	52 DT01 73	Front Fairing With Decal	1	1	
	52 DT01 95	Front Fairing E Black-Red	1	1	
2	52 DT01 72	Tank Cover Top Bright Yellow	1	1	Ser Bulletin 2015-35
	52 DT01 71	Tank Cover Top Racing Red	1	1	
	52 DT01 94	Tank Cover Top Ebony Black	1	1	
	52 DT02 65	Tank cover with decal P red	1	1	
	52 DT02 66	Tank cover DCL Bright Yellow	1	1	
2A	DT 1710 42	Tank Side Assembly	1	1	
3	52 DT01 81	Side Fairing RH Bright Yellow	1	1	Ebony Black Red Ebony Black Red Ebony Black Red Ebony Black Red
	52 DT01 79	Side Fairing RH Racing Red	1	1	
	52 DT02 76	Fairing RH Decal Ebony	1	1	
	52 DT02 75	Side fairing RH DCL Yellow	1	1	
	DT 2331 05	Side fairing RH lower 2	1	1	
	DT 2331 11	Side fairing upper RH DCL	1	1	
	DT 2331 03	Decal fairing lower RH	1	1	
	DT 2331 01	Decal fairing upper RH	1	1	
4	52 DT01 80	Side Fairing LH-Racing Red	1	1	Ebony Black
	52 DT01 82	Side Fairing LH Bright Yellow	1	1	
	52 DT02 79	Side Fairing LH With Decal	1	1	
	52 DT02 74	Side fairing RH DCL P Red	1	1	
	52 DT02 77	Side fairing LH DCL P Red	1	1	
	52 DT02 78	Side fairing LH DCL Yellow	1	1	
	DT 2331 04	Side fairing LH Lower 2	1	1	
	DT 2331 10	Side fairing upper LH DCL	1	1	
	DT 2331 02	Decal fairing lower LH	1	1	
	DT 2331 00	Decal fairing upper LH	1	1	

Painted Parts and Decals



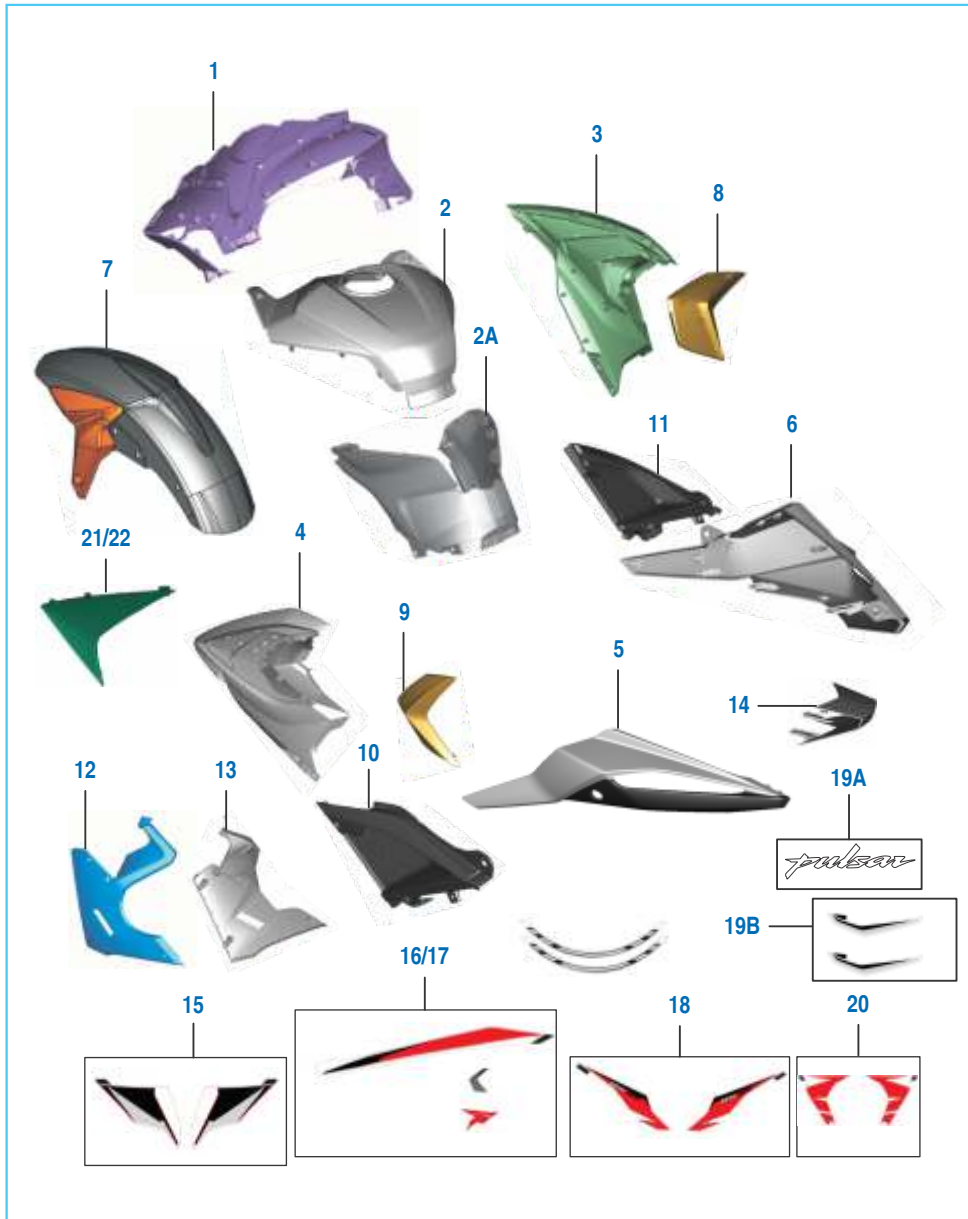
No.	Part No.	Description	Qty.		Remarks
			ABS	NON ABS	
5	52 DT01 85	Seat Cowl LH Bright Yellow	1	1	
	52 DT01 84	Seat Cowl LH Racing Red	1	1	
	52 DT02 82	Seat Cowl LH With Decal	1	1	Ebony Black
	52 DT02 80	Seat cowl LH DCL P Red	1	1	
	52 DT02 81	Seat cowl LH DCL Yellow	1	1	
	DT 2331 06	Seat cowl LH DCL	1	1	Ebony Black Red
6	52 DT01 83	Seat cowl RH Racing Red	1	1	
	52 DT01 86	Seat cowl RH Bright Yellow	1	1	
	52 DT02 85	Seat cowl RH With Decal	1	1	E Black Red
	52 DT02 83	Seat cowl RH DCL Red	1	1	
	52 DT02 84	Seat cowl RH DCL Yellow	1	1	
	DT 2331 07	Seat cowl RH DCL	1	1	Ebony Black Red
7	52 DT01 75	Fender front - Racing red	1	1	
	52 DT01 76	Front fender Bright Yellow	1	1	
	52 DT02 70	Front fender ABS with decal	1	-	Ebony Black
	52 DT02 73	Front Fender Non ABS	--	1	With Decal EBON
	52 DT02 68	Front fender ABS with decal	1	1	Racing red
	52 DT02 71	Front fender Non ABS	1	1	with decal Racing
	52 DT02 69	Front fender ABS with decal	1	1	Bright Yellow
	52 DT02 72	Front Fender Non ABS With	1	1	Decal Bright Yellow
	DT 2331 12	Front fender ABS Decal	2	--	Ebony Black Red
	DT 2331 08	Fender decal LH	1	1	Ebony Black Red
DT 2331 09	Fender decal RH	1	1	Ebony Black Red	

Painted Parts and Decals



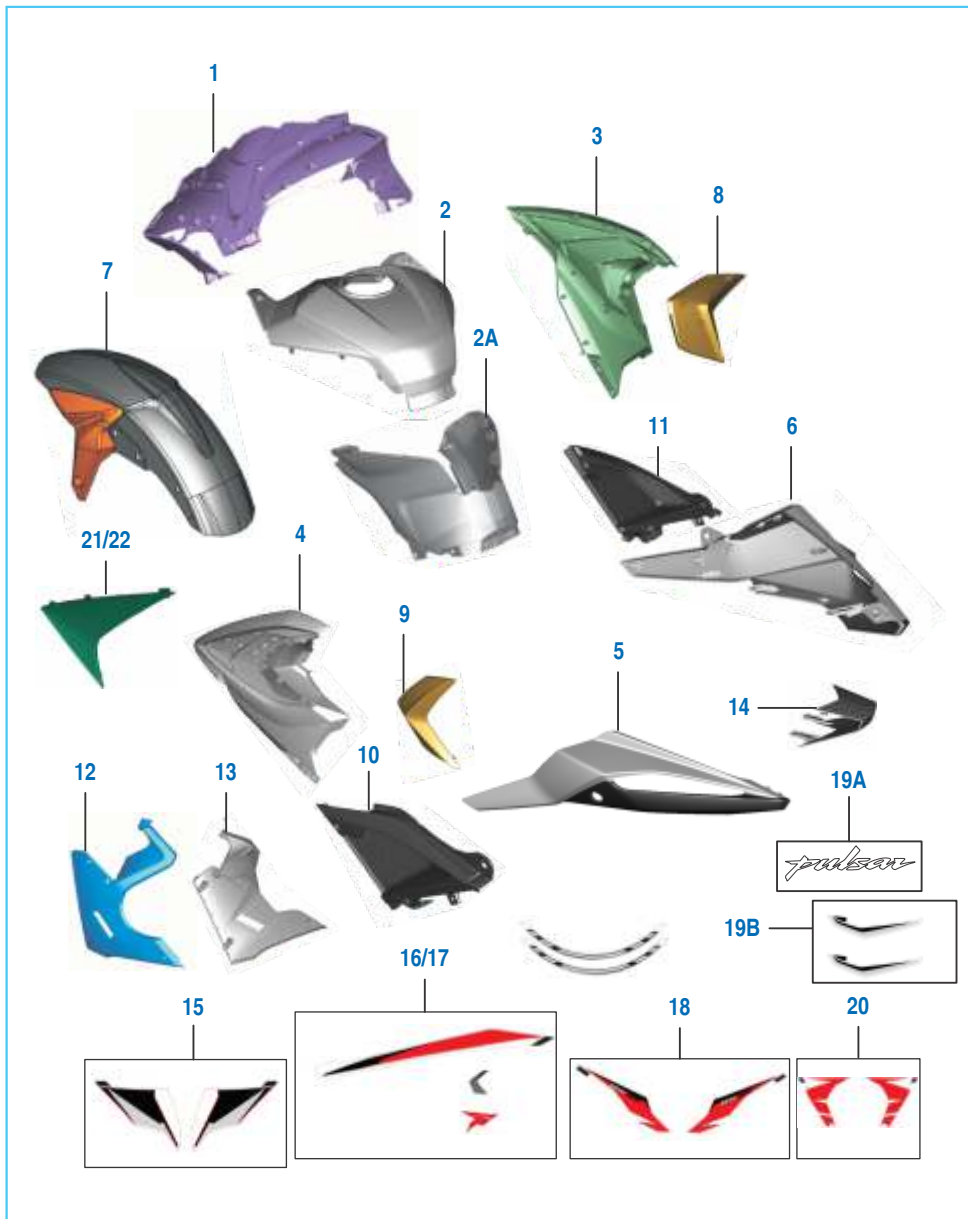
No.	Part No.	Description	Qty.		Remarks
			ABS	NON ABS	
8	56 DT08 4X	Side Fairing Flap RH -E Black	1	1	
9	56 DT07 4X	Side Fairing Flap LH-E Black	1	1	
10	56 DT12 4X	Side Cover LH	1	1	
11	56 DT13 4X	Side Cover RH	1	1	
12	DT 1812 86	Lower Fairing LH	1	1	
13	DT 1813 24	Lower Fairing RH	1	1	
14	DT 1812 10	Seat Cowl Central Top	1	1	
15	36 DT00 10	Kit Dcl Fairing-Br Yellow	1	1	
	36 DT00 11	Kit Dcl Fairing-Pa Red	1	1	
	36 DT00 45	Kit Dcl Fairing-E Blk Red	1	1	Ser Bulletin 2015-35
16	36 DT00 16	Kit Dcl Spoiler LH-Br Yellow	1	1	
	36 DT00 17	Kit Dcl Spoiler LH-Pa Red	1	1	
	36 DT00 46	Kit Dcl Spoiler LH-E Blk Red	1	1	Ser Bulletin 2015-35
17	36 DT00 19	Kit Dcl Spoiler RH-Br Yellow	1	1	
	36 DT00 20	Kit Dcl Spoiler RH-Pa Red	1	1	
	36 DT00 47	Kit Dcl Spoiler RH-E Blk Red	1	1	Ser Bulletin 2015-35
18	36 DT00 13	Kit Dcl S Cowl-Br Yellow	1	1	
	36 DT00 14	Kit Dcl S Cowl-Pa Red	1	1	
	36 DT00 48	Kit Dcl S Cowl-E Blk Red	1	1	Ser Bulletin 2015-35
19A	DT 2330 79	3D Dcl Pulsar	1	1	For Yellow Colour
	DT 2330 43	3D Dcl Pulsar	1	1	For Red Colour
19B	DT 2330 93	Dcl Tank Top Center	1	1	Yellow
	DT 2330 82	Dcl Tank Top Center	1	1	Red
	DT 2330 97	3D Tank Decal	1	1	Silver
20	36 DT00 28	Kit Dcl Fender Abs-P Red	1	--	
	36 DT00 29	Kit Dcl Fender Abs- Br Yellow	1	--	
	36 DT00 30	Kit Dcl Fender - P Red	--	1	
	36 DT00 31	Kit Dcl Fender - Br Yellow	--	1	Ser Bulletin 2015-35
	36 DT00 49	Kit Dcl Fender - Br Yellow	1	--	Ser Bulletin 2015-35
21	DT 1812 14	Side Faring Mesh LH	1	1	
22	DT 1812 21	Side Faring Mesh RH	1	1	

Painted Parts and Decals - BS IV



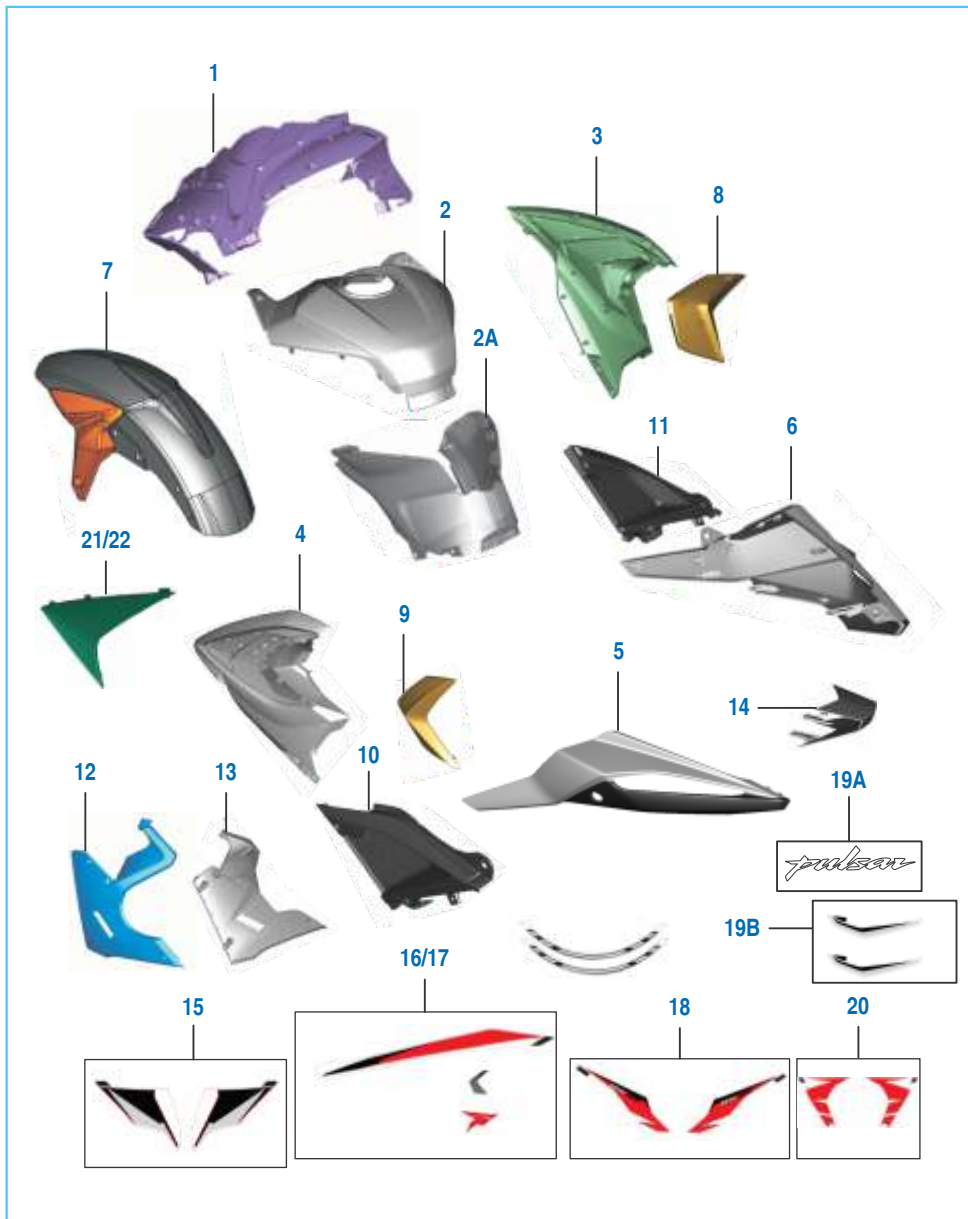
No.	Part No.	Description	Qty.		Remarks
			ABS	NON ABS	
1	52 DT04 62	Front Fairing Racing Red	1	1	
	52 DT04 64	Front Fairing M Black Gray	1	1	
	52 DT04 63	Front Fairing S Blue	1	1	
2	52 DT04 76	Tank Cover Top Racing Red	1	1	
	52 DT04 78	Tank Cover Top M Black Gray	1	1	
	52 DT04 77	Tank cover with S Blue	1	1	
2A	DT 1710 42	Tank Side Assembly	1	1	
3	52 DT04 59	Side Fairing RH S Blue	1	1	
	52 DT04 57	Side Fairing RH Racing Red	1	1	
	52 DT04 61	Side Fairing RH Black Gray	1	1	
4	52 DT04 56	Side Fairing LH-Racing Red	1	1	
	52 DT04 60	Side Fairing LH Black Gray	1	1	
	52 DT04 58	Side fairing LH S Blue	1	1	
5	52 DT04 67	Seat Cowl LH Racing Red	1	1	
	52 DT04 71	Seat Cowl LH Black Gray	1	1	Ser Bulletin 2015-35
	52 DT04 69	Seat cowl LH S Blue	1	1	
6	52 DT04 68	Seat cowl RH Racing Red	1	1	
	52 DT04 72	Seat cowl RH Black Gray	1	1	Ser Bulletin 2015-35
	52 DT04 70	Seat cowl RH S Blue	1	1	
7	52 DT04 79	Fender front - Racing red	1	--	
	52 DT04 80	Front fender S Blue	1	--	
	52 DT04 81	Front fender Black Gray	1	--	
	52 DT04 73	Front fender Red	--	1	
	52 DT04 74	Front fender S Blue	--	1	
	52 DT04 75	Front fender Black Gray	--	1	

Painted Parts and Decals - BS IV



No.	Part No.	Description	Qty.		Remarks
			ABS	NON ABS	
8	52 DT04 66	Side Fairing Flap RH	1	1	
9	52 DT04 65	Side Fairing Flap LH	1	1	
10	56 DT12 4X	Side Cover LH	1	1	
11	56 DT13 4X	Side Cover RH	1	1	
12	DT 1812 86	Lower Fairing LH	1	1	
13	DT 1813 24	Lower Fairing RH	1	1	
14	DT 1812 10	Seat Cowl Central Top	1	1	
15	36 DT00 68 36 DT00 57 36 DT00 62	Kit Dcl Fairing-B Gray Kit Dcl Fairing-Pa Red Kit Dcl Fairing-S Blue	1 1 1	1 1 1	
16	36 DT00 58 36 DT00 63 36 DT00 67	Kit Side Fairing LH-Red Kit Side Fairing LH-S Blue Kit Side Fairing LH-B Gray	1 1 1	1 1 1	
17	36 DT00 59 36 DT00 64 36 DT00 69	Kit Side Fairing RH-Red Kit Side Fairing RH-S Blue Kit Side Fairing RH-B Gray	1 1 1	1 1 1	
18	36 DT00 61 36 DT00 66 36 DT00 71	Kit Dcl S Cowl-Red Kit Dcl S Cowl-S Blue Kit Dcl S Cowl-B Gray	1 1 1	1 1 1	
19A	DT 2331 86	3D Dcl Pulsar	2	2	

Painted Parts and Decals - BS IV



No.	Part No.	Description	Qty.		Remarks
			ABS	NON ABS	
19B	36 DT00 60	Kit Dcl Tank Top Red	1	1	
	36 DT00 65	Kit Dcl Tank Top S Blue	1	1	
	36 DT00 70	Kit Dcl Tank Top B Gray	1	1	
20	36 DT00 72	Kit Dcl Fender ABS- P Red	1	--	
	36 DT00 73	Kit Dcl Fender ABS- S Blue	1	--	
	36 DT00 74	Kit Dcl Fender ABS- M Gray	1	--	
	36 DT00 75	Kit Dcl Fender N ABS- P Red	--	1	
	36 DT00 76	Kit Dcl Fender N ABS- S Blue	--	1	
	36 DT00 77	Kit Dcl Fender N ABS- M Gray	--	1	
21	DT 1812 14	Side Faring Mesh LH	1	1	
22	DT 1812 21	Side Faring Mesh RH	1	1	
24	DT 2331 72	Decal Wheel Rim	4	4	

Consumable Parts



No.	Part No.	Description	Supply Unit	Application
1	36 0010 61	Bajaj Genuine Oil 10W50	1.5 Ltr.	Dominar 400
	83 0204 11	Bajaj Genuine Oil 10W30	1 Ltr.	100cc Models
	83 0203 34	Bajaj Genuine Oil 20W50 (BGO to be ordered to HPCL)	1 Ltr.	125cc and above models
2	36 0010 58	Bajaj Coolant Koolex	1 Ltr.	Coolant Top-up/Replace
3	36 DH40 61	Brake Fluid DOT4	100 ml	Disc Brake Top-up/Replace
	83 0203 25	Brake Fluid DOT3	100 ml	Disc Brake Top-up/Replace
4	36 0010 52	Silicon grease	3 gm	Caliper Pin
5	83 0204 73	Grease Petamo GHY 441	3 gm	Water Pump Seals
	83 0203 68	Grease Molycoat	200 gm	For Starter Clutch Lubrication
6	36 0010 52	HP Lithon RR Grease	10 gm	Steering Race
7	83 0201 73	Multi Purpose Grease (Local Purchase)	--	Lubrication of Clutch Lever, Brake Lever, Brake Pedal & Side Stand
8	36 0010 55	Chain Lubricant HP Make	1 kg	Non - Sealed Chain Lubrication
9	36 0010 62	Liquid gasket L5910	50 ml	Crankcase Joining
10	36 3140 04	Fork oil	160 ml	Front Fork Top-up/Replace\
11	36 DH40 29	Kit Spray Chain Lub	100 ml	Sealed Drive Chain
12	36 DH40 71	Wonderfill Chain Spray	100 ml	Sealed Drive Chain

Consumable Parts

<p>13</p> 	<p>14</p> 	<p>15</p> 
<p>16</p> 	<p>17</p> 	<p>18</p> 
<p>19</p> 	<p>20</p> 	
<p>22</p> 	<p>23</p> 	<p>24</p> 

No.	Part No.	Description	Supply Unit	Application
13	36 DH40 72	Rust Remover Spray Make - Zorric 88 & Wonder fill easiner	100 ml	For Removing Rust from Components
14	76 0109 36	Loctite Thread locker 243	50 ml	For Screws & Bolts
15	76 0109 37	Loctite retaining compound 638	50 ml	For Screws & Bolts
16	37 0043 52	Touch up paint slate grey	440 ml	Touch up of Frame, Swing Arm & Step Holder
17	37 0043 53	Touch up paint Matte Silk black	440 ml	Touch up of Grab Handle, Handle Bar & Handle Holder
18	36 0010 60	Kibatsu touch up paint	400 cc	Touch up of Cylinder head, Block & Alloy Wheels
19	37 2240 18	Paint Bottle Schwartz Black	--	P-200NS Frame Touch-up
20	75 6802 36 NA	Petroleum Jelly (Local Purchase) Distilled Water (Local Purchase)	-- 1 Ltr.	For Battery Terminals For Battery Level Top-up
21	NA	SAE 90 oil (Local Purchase)	-	
22	62 3050 84	WD40 Spray (Local Purchase)	400 ml	Electrical Contact Cleaning Spray
23	36 0010 56	Carburetor Cleaning Spray		For Cleaning Carburetor
24	37 2540 39	Corrosion Protection Spray Proto quick LTP902 (To be ordered on Vendor)	--	For Preventing vehicle parts from rusting

Kit List



Sr No	Kit Part No.	Kit Description	Consisting of Following Parts		
			Part No.	Description	Qty/Kit
1	36DT0032	KIT ASSEMBLY CYL HEAD	JL511045	HEAD CYLINDER COMP	1
			JG511046	STUD (M8*1.25)	2
2	36DT0033	KIT GEAR PRIMARY DRIVE & DRIVEN	JG551216 DT551407	GEAR PRIMARY DRIVE 22T HOUSING CLUTCH ASSY COMP	1 1
3	36DT0005	KIT CHAIN GUIDE	JF531008 JL531005	GUIDE CHAIN (SLACK SIDE) CHAIN GUIDE TIGHT SILENT	1 1
4	36DT0007	KIT CHAIN SPROCKET	DV101048 DT141004 DT141005	SPROCKET OUTPUT (14T) SPROCKET 41T CHAIN 110 LINK	1 1 1
5	36DT0008	KIT ENGINE GASKET	JG541041 JL541207 JL541208 JL521002 JL511022 CS101128 JL511042 JG591070	GASKET CRANKCASE GASKET CLUTCH COVER GASKET MAGNETO COVER GASKET CYLINDER BLOCK GASKET CYLINDER HEAD GASKET GASKET HEAD COVER GASKET EXHAUST	1 1 1 1 1 1 1 1
6	36JL0011	KIT VALVE REPAIR	JF511215 39201719 JF511214 JF511217 DG101029	SEAT VALVE SPRING SEAL VALVE STEM RETAINER VALVE SPRING VALVE SPRING COTTER VALVE	4 4 4 4 8
7	36JL0007	KIT BLOCK PISTON	JL521004 JL521200	CYLINDER BLOCK WITH NIPPLE PISTON ASSEMBLY COMPL	1 1
8	36JU0001	KIT PISTON RING SET	JU521206 JU521207 JU521208	RING PISTON TOP RING PISTON SECOND RING PISTON OIL	1 1 1
9	36JL0004	KIT ASSLY C'CASE RH 200	JL541016 39256220	CRANKCASE RH BEARING - NEEDLE ROLLER	1 1

Kit List



Sr No	Kit Part No.	Kit Description	Consisting of Following Parts		
			Part No.	Description	Qty/Kit
			JG541061	PIPE BREATHER	1
			BA102003	PLUG - OIL HOLE	3
10	36JL0003	KIT ASSLY C'CASE LH 200	JL541019 JC101077 JG541021 JG541015 39256220 JG541020	CRANKCASE LH PLUG TAPER OIL NOZZLE NEEDLE BEARING HK 1514 RS BEARING - NEEDLE ROLLER JET OIL CRANKCASE RH	1 2 1 1 1 1
11	36JG0004	SHAFT OIL PUMP ASSEMBLY	JG571022 28121008	ROTOR OIL PUMP WITH SHAFT OUTER ROTOR	1 1
12	36DT0028	DCL FENDER ABS-P RED	DT233089 DT233090	FRONT FENDER DECAL ABS LH FRONT FENDER DECAL ABS RH	1 1
13	36DT0029	DCL FENDER ABS-BR YELLOW	DT233091 DT233092	FRONT FENDER DECAL ABS LH FRONT FENDER DECAL ABS RH	1 1
14	36DT0030	DCL FENDER -P RED	DT233085 DT233086	FRONT FENDER DECAL LH FRONT FENDER DECAL RH	1 1
15	36DT0031	DCL FENDER - BR YELLOW	DT233087 DT233088	FRONT FENDER DECAL LH FRONT FENDER DECAL RH	1 1
16	36DT0011	KIT DCL FAIRING-PA RED	DT233015 DT233016 DT233017 DT233018	DECAL FAIRING UPPER LH DECAL FAIRING UPPER RH DECAL FAIRING LOWER LH DECAL FAIRING LOWER RH	1 1 1 1
17	Deleted	KIT DCL TANK-PA RED	DT233043 DT233082	DECAL TANK LH DECAL TANK TOP COVER	2 1
18	36DT0017	KIT DCL SPOILER LH-PA RED	DT233021 DT233023 DT233025	DECAL TANK SPOILER UPPER LH DECAL TANK SPOILER LOW 1 LH DECAL TANK SPOILER LOW 2 LH	1 1 1

Kit List



Sr No	Kit Part No.	Kit Description	Consisting of Following Parts		
			Part No.	Description	Qty/Kit
19	36DT0020	KIT DCL SPOILER RH -PA RED	DT233022 DT233024 DT233026	DECAL TANK SPOILER UPP RH DECAL TANK SPOILER LOW RH DECAL TANK SPOILER LOW RH	1 1 1
20	36DT0014	KIT DCL S COWL-PA RED	DT233027 DT233028	DECAL SEAT COWL LH DECAL SEAT COWL RH	1 1
21	36DT0010	KIT DCL FAIRING -BR YELLOW	DT233029 DT233030 DT233031 DT233032	DECAL FAIRING UPPER LH DECAL FAIRING UPPER RH DECAL FAIRING LOWER LH DECAL FAIRING LOWER RH	1 1 1 1
22	Deleted	KIT DCL TANK-BR YELLOW	DT233079 DT233093	DECAL TANK LH DECAL TANK TOP COVER	2 1
23	36DT0016	KIT DCL SPOILER LH- BR YELLOW	DT233035 DT233037 DT233039	DECAL TANK SPOILER UPP LH DECAL TANK SPOILER LOW LH DECAL TANK SPOILER LOW LH	1 1 1
24	36DT0019	KIT DCL SPOILER RH -BR YELLOW	DT233036 DT233038 DT233040	DECAL TANK SPOILER UPP RH DECAL TANK SPOILER LOW RH DECAL TANK SPOILER LOW RH	1 1 1
25	36DT0013	KIT DCL S COWL- BR YELLOW	DT233041 DT233042	DECAL SEAT COWL LH DECAL SEAT COWL RH	1 1
26	36DT0016	KIT DCL SPOILER LH- BR YELLOW	DT233035 DT233037 DT233039	DECAL TANK SPOILER UPP LH DECAL TANK SPOILER LOW LH DECAL TANK SPOILER LOW LH	1 1 1
27	36DT0019	KIT DCL SPOILER RH -BR YELLOW	DT233036 DT233038 DT233040	DECAL TANK SPOILER UPP RH DECAL TANK SPOILER LOW RH DECAL TANK SPOILER LOW RH	1 1 1
28	36DT0013	KIT DCL S COWL- BR YELLOW	DT233041 DT233042	DECAL SEAT COWL LH DECAL SEAT COWL RH	1 1

Kit List



Sr No	Kit Part No.	Kit Description	Consisting of Following Parts		
			Part No.	Description	Qty/Kit
29	36DT0006	KIT TANK DAMPERS	DT171022 DT171023 DT171024 DT171025 DT171026	DAMPER TANK COVER RES LH DAMPER TANK COVER FR RH DAMPER TNK COVR CENTL LH DAMPER TNK COVR CENTL RH DAMPER TANK COVER REAR	1 1 1 1 1
30	36DT0001	HARDWARE FAIRING +R COWL	DT181273 JW171016 KDBC0613 KBUB0614 KDBC0613 DT181010 39214124 KACB0516 KBUB0614 KDBC0613	STEP BOLT SCREW PLAIN WASHER MUSHROOM HEAD SCREW PLAIN WASHER BOLT NON METALLIC WASHER SOCKET HEAD SCREW MUSHROOM HEAD SCREW PLAIN WASHER	2 2 2 6 6 4 4 2 3 3
31	36DT0002	HARDWARE S COWL+SIDE	JW171016 KDBC0613 KBUB0614 39023911 LBU00023 39214124 LBU00023 39214124 KBUB0614 KDBC0613 39204401	MUSHROOM HEAD SCREW PLAIN WASHER MUSHROOM HEAD SCREW PLAIN WASHER SCREW NON METALLIC WASHER SCREW NON METALLIC WASHER MUSHROOM HEAD SCREW PLAIN WASHER MUSHROOM HEAD SCREW	2 2 4 4 10 10 2 2 6 6 2
32	36DT0003	HARDWARE P TANK COVER	31161078 LAC00033 LBU00024	NON METALLIC WASHER BOLT SCREW	4 2 6
33	36DT0004	TIE BAND-W HARNESS	JD402212 JD402217 PA402204	BAND 200 MM BAND 150 MM BAND 110 MM	8 2 2

Kit List



Sr No	Kit Part No.	Kit Description	Consisting of Following Parts		
			Part No.	Description	Qty/Kit
34	36DT0057	KIT FARING DCL P RED	DT233134	DECAL FARING LH RED-WHITE	1
			DT233135	DECAL FARING RH RED-WHITE	1
35	36DT0058	KIT SIDE FARING DCL P RED	DT233136	DECAL SIDE FAI UP LH RED-WH	1
			DT233138	DECAL FLAP SIDE FARING LH	1
			DT233140	DECAL SIDE FARING LO LH RED-WH	1
36	36DT0059	KIT SIDE FARING DCL RH P RED	DT233141	DECAL SIDE FARING LO RH RED-WH	1
			DT233137	DECAL SIDE FARING UP RH RED-WH	1
			DT233139	DECAL FLAP SIDE FARING RH	1
37	36DT0060	KIT T TOP COVER P RED	DT233142	DECAL COVER TANK TOP LH RED-WH	1
			DT233143	DECAL COVER TANK TOP RH RED-WH	1
38	36DT0061	KIT S COWL DCL 2D P RED	DT233144	DECAL COWL SEAT LH RED-WHITE	1
			DT233145	DECAL COWL SEAT RH RED-WHITE	1
39	36DT0062	KIT FARING DCL S BLUE	DT233148	DECAL FARING LH BLUE-WHITE	1
			DT233149	DECAL FARING RH BLUE-WHITE	1
40	36DT0063	KIT SIDE FARING DCL LH S BLUE	DT233150	DECAL SIDE FARING UP LH BLUE-WH	1
			DT233152	DECAL SIDE FARING LO LH BLUE-WH	1
			DT233138	DECAL FLAP SIDE FARING LH	1
41	36DT0064	KIT SIDE FARING DCL RH S BLUE	DT233151	DECAL SIDE FARING UP RH BLUE-WH	1
			DT233153	DECAL SIDE FARING LO RH BLUE-WH	1
			DT233139	DECAL FLAP SIDE FARING RH	1
42	36DT0065	KIT T TOP COVER S BLUE	DT233154	DECAL COVER TANK TOP LH BLUE-WH	1
			DT233155	DECAL COVER TANK TOP RH BLUE-WH	1
43	36DT0066	KIT S COWL DCL 2D S BLUE	DT233156	DECAL COWL SEAT LH BLUE-WHITE	1
			DT233157	DECAL COWL SEAT RH BLUE-WHITE	1
44	36DT0067	KIT SIDE FARING DCL LH B GRAY	DT233162	DECAL SIDE FARING UP LH BLK-GRY	1
			DT233164	DECAL SIDE FARING LO LH BLK-GRY	1
			DT233138	DECAL FLAP SIDE FARING LH	1
45	36DT0068	KIT FARING DCL B GRAY	DT233160	DECAL FARING LH BLACK-GRAY	1
			DT233161	DECAL FARING RH BLACK-GRAY	1

Kit List



Sr No	Kit Part No.	Kit Description	Consisting of Following Parts		
			Part No.	Description	Qty/Kit
46	36DT0069	KIT SIDE FARING DCL RH B GRAY	DT233165	DECAL SIDE FARING LO RH BLK-GRY	1
			DT233163	DECAL SIDE FARING UP RH BLK-GRY	1
			DT233139	DECAL FLAP SIDE FARING RH	1
47	36DT0070	KIT T TOP COVER B GRAY	DT233166	DECAL COVER TANK TOP LH BLK-GRAY	1
			DT233167	DECAL COVER TANK TOP RH BLK-GRAY	1
48	36DT0071	KIT S COWL DCL 2D B GRAY	DT233168	DECAL COWL SEAT LH BLACK-GRAY	1
			DT233169	DECAL COWL SEAT RH BLACK-GRAY	1
49	36DT0072	KIT F FENDER DCL P RED-ABS	DT233175	DECAL FENDER FR LH ABS RED-WHITE	1
			DT233176	DECAL FENDER FR RH ABS RED-WHITE	1
50	36DT0073	KIT F FENDER DCL S BLUE-ABS	DT233179	DECAL FENDER FRONT LH ABS BL-WH	1
			DT233180	DECAL FENDER FRONT RH ABS BL-WH	1
51	36DT0074	KIT F FENDER DCL M BLACK-ABS	DT233183	DECAL FENDER FR LH ABS BLACK-GRAY	1
			DT233184	DECAL FENDER FR RH ABS BLACK-GRAY	1
52	36DT0075	KIT FENDER DCL RED-N ABS	DT233146	DECAL FENDER FRONT LH RED-WHITE	1
			DT233147	DECAL FENDER FRONT RH RED-WHITE	1
53	36DT0076	KIT FENDER DCL S BLUE-N ABS	DT233158	DECAL FENDER FRONT LH BLUE-WHITE	1
			DT233159	DECAL FENDER FRONT RH BLUE-WHITE	1
54	36DT0077	KIT FENDER DCL BLACK-N ABS	DT233171	DECAL FENDER FRONT RH BLACK-GRAY	1
			DT233170	DECAL FENDER FRONT LH BLACK-GRAY	1
55	36JL0183	Kit Saree Guard RH + Grab + Fitting	DT231408	Grab handle front	1
			JL231215	Saree guard RH	1
			JL181326	Grommet	1
			LAC00074	Bolt socket M8 x 1.25 x L42	3
			JL231209	Plug saree guard	1
			JL231217	Plug	2
			KACA0618	Bolt master KAC	1

Parts Index



Part Number	Figure No.	Page No.	Part Number	Figure No.	Page No.
01 1100 05	11	20	36 DT00 35	14A	76
30 1011 95	3	38	36 DT00 36	9	76
30 1410 32	5	94	36 DT00 39	17	82
30 1510 28	23	94	36 DT00 40	18	82
30 1510 82	9	80	36 DT00 42	3	82
30 1910 38	14	82	36 DT00 43	3	86
31 1011 73	7	12	36 DT00 44	2	86
36 DH19 02	4	76	36 DT00 45	15	128
36 DK01 61	8	90	36 DT00 46	16	128
36 DT00 01	27	34	36 DT00 47	17	128
36 DT00 02	13	100	36 DT00 48	18	128
36 DT00 03	33	98	36 DT00 49	20	128
36 DT00 04	3	116	36 DT00 57	15	132
36 DT00 06	21	94	36 DT00 58	16	132
36 DT00 07	2	80	36 DT00 59	17	132
36 DT00 08	17	26	36 DT00 60	19B	134
36 DT00 10	15	128	36 DT00 61	18	132
36 DT00 11	15	128	36 DT00 62	15	132
36 DT00 13	18	128	36 DT00 63	16	132
36 DT00 14	18	128	36 DT00 64	17	132
36 DT00 16	16	128	36 DT00 65	19B	134
36 DT00 17	16	128	36 DT00 66	18	132
36 DT00 19	17	128	36 DT00 67	16	132
36 DT00 20	17	128	36 DT00 68	15	132
36 DT00 28	20	128	36 DT00 69	17	132
36 DT00 29	20	128	36 DT00 70	19B	134
36 DT00 30	20	128	36 DT00 71	18	132
36 DT00 31	20	128	36 DT00 72	20	134
36 DT00 32	4	4	36 DT00 73	20	134
36 DT00 33	3	12	36 DT00 74	20	134
36 DT00 33	3	40	36 DT00 75	20	134
36 DT00 34	14	76	36 DT00 76	20	134

Parts Index



Part Number	Figure No.	Page No.	Part Number	Figure No.	Page No.
36 DT00 77	20	134	39 0798 15	7	94
36 DT00 82	20	122	39 0808 08	16	82
36 DT00 83	9	44	39 0849 14	12	52
36 JG00 04	2	30	39 0999 06	5	30
36 JG00 11	2	62	39 0999 06	11	36
36 JG00 83	20	82	39 0999 06	4	38
36 JL00 01	15	8	39 1041 19	10	36
36 JL00 07	1	10	39 1043 19	8	26
36 JL00 11	10	6	39 1046 19	15	36
36 JL00 15	10	66	39 1053 15	19	64
36 JL00 39	11	28	39 1180 11	4	88
36 JL00 41	19	66	39 1225 15	3	112
36 JL00 94	1	26	39 1283 21	9	4
36 JL00 95	2	22	39 1507 11	9	116
36 JU00 01	2	10	39 1537 21	7A	36
36 JU00 15	21	118	39 1537 21	8	84
36 JU00 36	1	12	39 1665 11	15	28
36 PD00 38	14A	76	39 1769 04	2	84
39 0198 11	15	82	39 1773 04	6	26
39 0200 11	15	122	39 1776 02	14	108
39 0211 11	9	32	39 1791 04	10	100
39 0239 11	13	44	39 1791 04	3	106
39 0239 11	1	100	39 1850 04	16	48
39 0239 11	30	118	39 1907 01	20	96
39 0265 12	10	106	39 1907 01	17	110
39 0291 15	4	102	39 1907 01	12	68
39 0422 15	7	70	39 1913 04	2	56
39 0454 11	11	64	39 1931 20	2	12
39 0553 02	12	64	39 1931 20	6	12
39 0594 17	4	8	39 1931 20	3	22
39 0746 01	21	24	39 1943 04	14	74
39 0746 01	1	80	39 1943 04	22	88

Parts Index



Part Number	Figure No.	Page No.	Part Number	Figure No.	Page No.
39 1946 04	17	94	39 2602 20	8	22
39 1958 04	12A	86	39 2606 07	16	28
39 1972 15	14	114	39 2608 01	15	4
39 1972 15	31	118	39 2629 21	8	4
39 1990 20	2	36	39 2669 21	10	8
39 2005 11	18	22	39 2699 20	16	4
39 2017 19	1	6	39 2711 15	11	32
39 2038 04	17	80	39 2723 15	6	60
39 2124 15	13	114	52 DT01 53	10	48
39 2132 17	5	10	52 DT01 71	2	124
39 2140 04	14	66	52 DT01 72	2	124
39 2141 24	4	32	52 DT01 73	1	124
39 2141 24	13	68	52 DT01 74	1	124
39 2141 24	21	98	52 DT01 75	7	126
39 2141 24	9	102	52 DT01 76	7	126
39 2141 24	20	110	52 DT01 79	3	124
39 2141 24	3	114	52 DT01 80	4	124
39 2158 11	2	14	52 DT01 81	3	124
39 2159 11	24	16	52 DT01 82	4	124
39 2166 11	13	14	52 DT01 83	6	126
39 2181 06	3	10	52 DT01 84	5	126
39 2200 11	10	12	52 DT01 85	5	126
39 2203 07	5	12	52 DT01 86	6	126
39 2425 11	17	48	52 DT01 94	2	124
39 2427 04	10	88	52 DT01 95	1	124
39 2440 11	12	6	52 DT02 65	2	124
39 2476 04	12	114	52 DT02 66	2	124
39 2476 04	15	114	52 DT02 68	7	126
39 2535 15	4	108	52 DT02 69	7	126
39 2562 20	20	22	52 DT02 70	7	126
39 2562 20	13	26	52 DT02 71	7	126
39 2601 20	11	22	52 DT02 72	7	126

Parts Index



Part Number	Figure No.	Page No.	Part Number	Figure No.	Page No.
52 DT02 73	7	126	52 DT04 74	7	130
52 DT02 74	4	124	52 DT04 75	7	130
52 DT02 75	3	124	52 DT04 77	2	130
52 DT02 76	3	124	52 DT04 78	2	130
52 DT02 77	4	124	52 DT04 79	7	130
52 DT02 78	4	124	52 DT04 80	7	130
52 DT02 79	4	124	52 DT04 81	7	130
52 DT02 80	5	126	52 JL01 56	1	60
52 DT02 81	5	126	52 JL01 57	2	60
52 DT02 82	5	126	52 JL08 92	1	36
52 DT02 83	6	126	52 JL09 17	2	130
52 DT02 84	6	126	52 JY01 85	9	52
52 DT02 85	6	126	56 DT07 4X	9	128
52 DT04 54	1	38	56 DT08 4X	8	128
52 DT04 56	4	130	56 DT12 4X	10	128
52 DT04 57	3	130	56 DT12 4X	10	132
52 DT04 58	4	130	56 DT13 4X	11	128
52 DT04 59	3	130	56 DT13 4X	11	132
52 DT04 60	4	130	56 DT23 5Z	1	94
52 DT04 61	3	130	56 DT2Z 5N	3	72
52 DT04 62	1	130	56 DT31 33	2	88
52 DT04 63	1	130	56 DT32 33	7	88
52 DT04 64	1	130	56 DT33 33	20	88
52 DT04 65	9	132	56 DT36 6B	22	110
52 DT04 66	8	132	56 DT3X 1Y	5	66
52 DT04 67	5	130	56 DT3Y 1Y	1	66
52 DT04 68	6	130	56 DT4J 1Y	8	66
52 DT04 69	5	130	56 DT4K 1Y	12	66
52 DT04 70	6	130	56 JF18 1Y	9	66
52 DT04 71	5	130	56 JF19 1Y	11	66
52 DT04 72	6	130	59 0400 14	24	82
52 DT04 73	7	130	59 2000 06	11	26

Parts Index



Part Number	Figure No.	Page No.	Part Number	Figure No.	Page No.
59 2000 28	14	22	DG 1210 02	15	44
59 2000 36	2	28	DG 1410 28	14	94
59 2100 23	14A	26	DG 1510 05	4	74
60 1114 15	32	118	DG 1710 16	4	64
60 1115 28	14B	116	DG 1710 18	5	64
AA 1014 37	9	22	DG 1710 19	6	64
AA 1014 37	17	36	DG 1810 08	21	88
AN 1013 48	14	56	DH 1010 48	9	28
AN 1110 15	8	56	DH 1012 35	12	14
BA 1020 04	13	38	DH 1012 95	11	6
BF 5510 37	6	14	DH 1013 81	3	26
BF 5510 37	15	14	DH 1013 88	22	36
BF 5610 20	13	26	DH 1013 89	13	52
BF 6214 02	16	52	DH 1013 92	14	8
CS 1011 28	12	8	DH 1016 48	13	40
DD 1110 11	12	56	DH 1110 13	9	56
DD 1110 12	6	56	DH 1110 16	11	56
DD 1610 71	20	50	DH 1611 46	5	70
DE 1510 46	2	78	DH 1611 55	19	50
DE 1510 46	10	82	DH 1611 57	18	50
DE 1510 47	3	78	DJ 1013 12	27	16
DE 1510 47	9	82	DJ 1510 74	6	78
DE 1910 10	10	76	DJ 1510 75	7	78
DE 1910 10	8	82	DJ 1610 69	3	68
DE 1910 10	10	86	DJ 1610 91	15	68
DE 1910 28	7	76	DJ 1612 29	3	32
DE 1910 29	6	76	DJ 1612 29	18	96
DE 1910 36	4	76	DJ 1612 29	16	108
DE 1910 43	14	76	DJ 1612 29	5	100
DF 1611 02	6	70	DJ 1810 65	30	50
DG 1010 29	9	6	DJ 1811 26	28	34
DG 1014 56	10	26	DJ 1910 29	2	76

Parts Index



Part Number	Figure No.	Page No.	Part Number	Figure No.	Page No.
DJ 1910 30	3	76	DK 1510 88	11	82
DJ 1910 31	5	76	DK 1510 89	12	82
DJ 1910 57	1	76	DK 1810 06	4	90
DJ 2011 00	9	76	DK 1810 07	5	90
DJ 2011 09	9	76	DK 1810 09	14A	90
DJ 2011 73	18	68	DK 1810 10	14B	90
DK 1011 80	8	20	DK 1810 12	14C	90
DK 1012 25	14	4	DK 1810 13	14D	90
DK 1012 84	3	54	DK 1810 15	11	90
DK 1013 40	16	4	DK 1810 17	9	90
DK 1013 52	25	16	DK 1810 18	7	90
DK 1013 86	10	28	DK 1810 20	10	90
DK 1110 11	10	56	DK 1810 21	6	90
DK 1110 28	4	56	DK 1810 23	17	90
DK 1110 28	4	56	DK 1810 25	19	90
DK 1318 30	23	82	DK 1810 28	20	90
DK 1510 12	4	74	DK 1810 50	18	62
DK 1510 13	8	80	DK 1810 51	19	62
DK 1510 15	14	80	DK 1810 52	15	76
DK 1510 26	2	72	DK 1810 75	24	92
DK 1510 45	19	82	DK 2110 09	4	58
DK 1510 63	7	82	DK 9026 26	3	106
DK 1510 69	11	76	DP 1011 91	23	24
DK 1510 69	4	82	DP 1611 45	8	114
DK 1510 69	11	86	DS 1011 54	8	28
DK 1510 72	19	82	DS 1012 15	9	36
DK 1510 73	17	82	DS 1211 26	5	44
DK 1510 74	18	82	DS 1611 25	2	68
DK 1510 81	20	80	DS 1611 56	18	58
DK 1510 82	21	80	DS 1611 66	16	62
DK 1510 83	1	82	DS 1612 87	7	58
DK 1510 85	13	82	DS 1910 52	23	88

Parts Index



Part Number	Figure No.	Page No.	Part Number	Figure No.	Page No.
DS 2110 04	9	58	DT 1138 24	16	114
DS 2110 04	5	62	DT 1138 30	28	98
DS 2210 01	17	106	DT 1138 41	16	46
DT 111 107	15	62	DT 1138 42	7	60
DT 1111 06	14	62	DT 1138 46	11	62
DT 1111 63	1	62	DT 1138 48	18	64
DT 1112 09	1	62	DT 1138 49	26	118
DT 1130 01	1	66	DT 1138 50	4	86
DT 1130 02	5	66	DT 1138 51	36	118
DT 1130 06	8	66	DT 1138 55	13	56
DT 1130 08	12	66	DT 1138 58	20	62
DT 1130 14	17	66	DT 1210 30	20	88
DT 1130 15	18	66	DT 1210 31	21	92
DT 1130 28	6	66	DT 1210 32	22	92
DT 1130 29	2	66	DT 1210 35	18	90
DT 1130 34	7	84	DT 1210 36	12	90
DT 1130 35	27	66	DT 1210 37	15	90
DT 1130 36	1	66	DT 1210 38	1	90
DT 1132 02	8	70	DT 1210 39	14B	90
DT 1132 04	1	70	DT 1210 40	3	90
DT 1132 05	2	70	DT 1210 47	31	92
DT 1134 08	3	60	DT 1210 49	1	90
DT 1138 00	18	116	DT 1210 50	29	92
DT 1138 01	15	116	DT 1210 51	30	92
DT 1138 02	6	54	DT 1210 52	2	90
DT 1138 06	28	118	DT 1210 53	3	90
DT 1138 07	6	114	DT 1220 19	1	64
DT 1138 13	10	114	DT 1310 17	15	74
DT 1138 15	27	98	DT 1310 18	1	72
DT 1138 17	17	114	DT 1312 22	5	72
DT 1138 18	7	114	DT 1318 02	5	74
DT 1138 19	4	112	DT 1318 17	2	82

Parts Index



Part Number	Figure No.	Page No.	Part Number	Figure No.	Page No.
DT 1318 26	1	82	DT 1610 12	3	84
DT 1318 27	23	82	DT 1612 03	2	104
DT 1318 31	8	76	DT 1612 04	1	104
DT 1318 32	18	86	DT 1710 30	31	98
DT 1318 33	23	66	DT 1710 41	7	96
DT 1318 36	8	76	DT 1710 42	2A	124
DT 1318 37	1	68	DT 1710 42	2A	130
DT 1318 37	14	86	DT 1710 52	3	96
DT 1318 49	17	86	DT 1710 53	3	96
DT 1318 53	1	78	DT 1710 53	7	96
DT 1318 62	1	86	DT 1710 55	15	94
DT 1318 66	2	82	DT 1710 61	13	94
DT 1318 72	9	86	DT 1710 73	35	98
DT 1318 72	13	86	DT 1710 74	6	46
DT 1318 72	28	92	DT 1710 75	18	94
DT 1318 75	17	62	DT 1710 76	10	62
DT 1510 10	1	88	DT 1710 78	19	94
DT 1510 12	8	88	DT 1710 80	4	96
DT 1510 36	2	88	DT 1710 82	32	98
DT 1510 37	7	88	DT 1710 87	10	94
DT 1510 39	6	88	DT 1710 89	9	94
DT 1510 40	13	90	DT 1710 92	1	94
DT 1510 42	16	90	DT 1718 11	22	94
DT 1510 43	23	92	DT 1718 14	11	94
DT 1510 46	26	92	DT 1718 23	6	94
DT 1610 00	3A	84	DT 1718 34	2	46
DT 1610 01	1	84	DT 1718 39	25	94
DT 1610 04	6	84	DT 1718 46	11	46
DT 1610 05	15	88	DT 1718 47	8	46
DT 1610 07	11	88	DT 1810 00	5	106
DT 1610 10	11	88	DT 1810 01	1	32
DT 1610 11	1	84	DT 1810 10	8	102

Parts Index



Part Number	Figure No.	Page No.	Part Number	Figure No.	Page No.
DT 1810 11	11	102	DT 1812 73	22	98
DT 1810 11	30	110	DT 1812 74	6	96
DT 1810 13	14	100	DT 1812 75	25	110
DT 1810 21	22	118	DT 1812 84	9	122
DT 1810 22	25	118	DT 1812 85	26	110
DT 1810 28	2	32	DT 1812 86	12	128
DT 1810 30	36	98	DT 1812 86	12	132
DT 1810 30	31	110	DT 1812 91	15	96
DT 1810 34	34	98	DT 1812 92	16	96
DT 1812 07	15	100	DT 1812 93	17	96
DT 1812 10	4	100	DT 1812 94	27	110
DT 1812 10	14	128	DT 1812 95	28	110
DT 1812 10	14	132	DT 1812 99	10	122
DT 1812 14	21	128	DT 1813 10	5	108
DT 1812 14	21	134	DT 1813 11	6	108
DT 1812 15	11	96	DT 1813 18	33	118
DT 1812 21	22	128	DT 1813 19	34	118
DT 1812 21	22	134	DT 1813 20	35	118
DT 1812 28	12	96	DT 1813 21	12	62
DT 1812 32	18	110	DT 1813 22	8	62
DT 1812 33	5	102	DT 1813 23	9	62
DT 1812 42	2	108	DT 1813 24	13	128
DT 1812 44	23	98	DT 1813 24	13	132
DT 1812 46	24	98	DT 1813 25	28A	110
DT 1812 48	4	114	DT 1814 07	4	68
DT 1812 55	6	102	DT 1814 11	9	68
DT 1812 56	11	68	DT 1814 14	4	106
DT 1812 65	3	62	DT 1814 15	6	106
DT 1812 65	29	98	DT 1814 16	4	106
DT 1812 65	11	100	DT 1814 33	14	68
DT 1812 67	23	110	DT 1814 34	8	68
DT 1812 68	24	110	DT 1814 35	15	68

Parts Index



Part Number	Figure No.	Page No.	Part Number	Figure No.	Page No.
DT 1814 37	4	68	DT 2331 03	3	124
DT 1814 39	9	68	DT 2331 04	4	124
DT 1910 06	1	58	DT 2331 05	3	124
DT 1910 09	8	58	DT 2331 06	5	126
DT 1910 12	6	58	DT 2331 07	6	126
DT 1910 22	15	58	DT 2331 08	7	126
DT 2310 00	2	120	DT 2331 09	7	126
DT 2310 02	1	120	DT 2331 10	4	124
DT 2314 04	1	122	DT 2331 11	3	124
DT 2314 05	2	122	DT 2331 12	7	126
DT 2316 00	6	122	DT 2331 72	24	134
DT 2316 01	7	122	DT 2331 86	19A	132
DT 2316 06	13	122	DT 3510 06	2	54
DT 2316 07	11	122	DT 3514 04	9	54
DT 2316 08	12	122	DT 3514 11	9A	54
DT 2316 09	16	122	DT 3518 02	7	26
DT 2316 10	17	122	DT 3518 03	8	42
DT 2316 11	6A	122	DT 4010 01	5	114
DT 2316 12	7A	122	DT 4010 02	1	112
DT 2326 01	17	88	DT 4010 03	2	112
DT 2326 05	12A	58	DT 4010 04	5	112
DT 2326 06	17	88	DT 4010 05	6	112
DT 2326 06	2	94	DT 4010 08	7	108
DT 2326 06	2	94	DT 4010 09	1	108
DT 2330 43	19A	128	DT 4010 10	1A	108
DT 2330 79	19A	128	DT 4010 11	8	108
DT 2330 82	19B	128	DT 4010 12	7A	108
DT 2330 93	19B	128	DT 4010 17	9	108
DT 2330 97	19B	128	DT 4010 18	11	108
DT 2331 00	4	124	DT 4010 19	12	108
DT 2331 01	3	124	DT 4014 03	18	88
DT 2331 02	4	124	DT 4014 04	19	88

Parts Index



Part Number	Figure No.	Page No.
DT 4014 07	19	88
DT 4014 08	13	88
DT 4020 03	5	54
DT 4020 04	4	54
DT 4020 05	4	116
DT 4020 08	4	116
DT 4020 09	4	54
DT 4022 04	13	116
DT 4022 12	1	116
DT 4022 18	5	116
DT 4022 20	1	116
DT 4022 23	6	116
DT 4022 26	13A	116
DT 4022 34	15	52
DT 4022 41	1A	116
DT 4022 42	1A	116
DT 4024 04	9	74
DT 4024 04	22	80
DT 4024 07	8	74
DT 4024 08	1	102
DT 4024 15	12	102
DT 4024 20	1	102
DT 4024 21	1	102
DT 4026 00	4	94
DT 5010 20	1	22
DT 5110 97	4	4
DT 5112 39	1	8
DT 5112 61	4	6
DT 5112 62	5	6
DT 5410 18	13	36
DT 5410 19	5	36
DT 5412 06	1	38

Part Number	Figure No.	Page No.
DT 5412 10	12	38
DT 5412 12	1	36
DT 5514 01	8	40
DT 5514 02	5	40
DT 5514 03	10	40
DT 5514 08	7	40
DT 5514 09	1	40
DT 5612 01	9	20
DT 5612 05	10	20
DT 5612 06	1	20
DT 5614 08	9A	20
DT 5614 09	7	20
DT 5810 28	3	44
DT 5810 48	7	44
DT 5810 49	7	44
DT 5810 63	2	44
DT 5810 64	1	44
DT 5910 72	11	48
DT 5911 16	7	48
DT 5911 18	8	48
DT 5911 31	23	50
DT 5911 32	24	50
DT 5912 30	1	48
DT 5912 38	6	48
DT 6012 10	16	32
DT 6012 26	14	32
DT 6012 28	15	32
DT 6012 32	6	32
DT 6112 02	1	42
DT 6112 03	3	42
DT 6112 03	8	94
DT 6112 08	3	42

Parts Index



Part Number	Figure No.	Page No.
DT 6112 08	8	94
DT 6112 10	1	42
DV 1010 48	29	16
DX 1610 66	7	62
EC 5610 23	2	18
FD 2110 06	3	58
FD 2210 19	10	68
GF 1611 43	26	66
GL 1810 43	19	96
GL 4022 10	14	116
JA 1134 03	5	60
JA 3516 27	14	52
JA 5410 21	15	26
JA 5410 48	15	26
JA 5412 33	2	38
JB 1812 23	13	62
JB 2312 08	4	84
JC 1010 34	9	8
JD 1130 19	24	66
JD 1138 00	11	114
JD 1318 11	6	74
JD 1710 18	18	122
JD 1710 59	17	46
JD 3512 07	7	56
JF 1138 42	18	116
JF 1716 07	12	46
JF 1718 07	18	46
JF 1812 73	22	118
JF 1812 81	11	54
JF 1813 08	40	118
JF 4014 05	11	70
JF 5112 07	7	6

Part Number	Figure No.	Page No.
JF 5310 07	15	12
JF 5310 14	16	12
JG 1134 07	6	68
JG 1138 06	26	98
JG 1138 26	8	86
JG 1220 28	2	106
JG 1310 01	7	74
JG 1318 21	5	82
JG 1510 22	16	88
JG 1610 08	12	88
JG 1610 10	1	76
JG 1610 10	24	88
JG 1710 29	30	34
JG 1710 86	7	46
JG 1716 01	3	46
JG 1812 36	19	110
JG 1812 38	2	102
JG 1812 39	22	82
JG 1812 50	31	34
JG 1910 08	2	58
JG 1910 11	16	58
JG 2326 01	12	58
JG 2326 03	19	58
JG 2326 06	17	58
JG 3510 19	10	52
JG 3514 00	13	4
JG 3518 04	8	42
JG 3518 05	6	42
JG 4010 36	9	114
JG 4020 05	7	116
JG 4022 29	13B	116
JG 4022 30	13C	116

Parts Index



Part Number	Figure No.	Page No.	Part Number	Figure No.	Page No.
JG 4022 34	14A	116	JG 5412 30	7	36
JG 4032 00	17	116	JG 5412 31	16	36
JG 4036 03	16	74	JG 5510 00	22	16
JG 5090 03	7	30	JG 5510 10	26	16
JG 5110 10	3	48	JG 5510 13	3	14
JG 5110 21	3	2	JG 5510 17	4	36
JG 5110 22	4	2	JG 5510 20	5	14
JG 5110 46	5	4	JG 5510 20	18	14
JG 5112 69	7	8	JG 5510 21	19	14
JG 5112 70	13	8	JG 5510 22	10	14
JG 5310 27	8	12	JG 5510 25	11	14
JG 5310 31	9	12	JG 5510 27	1	14
JG 5310 40	14	12	JG 5510 28	31	16
JG 5310 40	6	52	JG 5510 31	26	16
JG 5310 41	12	12	JG 5512 13	4	14
JG 5310 41	4	52	JG 5512 14	7	14
JG 5312 07	7	28	JG 5512 15	20	14
JG 5312 15	5	28	JG 5512 20	8	14
JG 5312 20	2	8	JG 5512 22	16	14
JG 5312 28	3	28	JG 5512 23	17	14
JG 5312 29	4	28	JG 5512 24	21	16
JG 5410 15	12	26	JG 5512 25	23	16
JG 5410 41	16	26	JG 5512 27	9	14
JG 5410 43	20	26	JG 5512 28	14	14
JG 5410 44	5	26	JG 5514 23	14	40
JG 5410 45	22	24	JG 5514 27	2	40
JG 5410 46	4	22	JG 5514 28	4	40
JG 5410 58	18	26	JG 5514 33	9	40
JG 5410 59	10	22	JG 5514 47	7	40
JG 5410 63	4	26	JG 5514 48	6	40
JG 5410 68	1	4	JG 5514 51	11	40
JG 5412 23	38	118	JG 5514 55	6	40

Parts Index



Part Number	Figure No.	Page No.	Part Number	Figure No.	Page No.
JG 5610 08	3	18	JG 6010 05	6	28
JG 5610 09	17	22	JG 6010 07	6	22
JG 5610 10	4	18	JG 6010 12	13	28
JG 5610 11	1	18	JG 6012 09	24	34
JG 5610 12	7	18	JG 6012 11	17	32
JG 5610 13	8	18	JG 6012 30	18	32
JG 5610 16	9	18	JG 6012 34	20	32
JG 5612 04	15	22	JG 6012 35	19	32
JG 5612 05	16	22	JG 6012 37	7	32
JG 5612 15	11	18	JG 6110 07	2	42
JG 5612 15	2	20	JG 6112 06	5	42
JG 5612 16	5	20	JG 6214 12	3	52
JG 5612 17	4	20	JG 6214 13	2	52
JG 5612 22	5	18	JG 6214 17	7	52
JG 5612 25	10	18	JK 4018 01	29	34
JG 5612 26	19	22	JL 1110 54	4	60
JG 5612 32	3	20	JL 1130 12	3	66
JG 5710 14	24	24	JL 1130 14	9	66
JG 5710 16	25	24	JL 1130 16	11	66
JG 5710 18	3	30	JL 1130 36	16	66
JG 5810 14	10	32	JL 1132 09	4	70
JG 5810 56	6	44	JL 1134 00	1	60
JG 5814 07	17	4	JL 1134 01	2	60
JG 5814 19	3	104	JL 1138 18	12	70
JG 5814 21	5	42	JL 1138 25	24	118
JG 5814 23	9	42	JL 1220 01	8	64
JG 5814 24	4	42	JL 1220 02	7	64
JG 5814 37	7	42	JL 1220 03	10	64
JG 5910 38	4	48	JL 1220 04	13	64
JG 5910 39	5	48	JL 1220 08	14	64
JG 5910 68	26	50	JL 1220 09	9	64
JG 5910 70	2	48	JL 1220 13	3	64

Parts Index



Part Number	Figure No.	Page No.	Part Number	Figure No.	Page No.
JL 1220 26	17	64	JL 1710 20	20	94
JL 1310 00	2	74	JL 1710 38	16	94
JL 1310 01	11	74	JL 1716 00	2	94
JL 1310 04	3	72	JL 1718 30	10	94
JL 1310 04	1	74	JL 1718 32	9	94
JL 1310 05	5	74	JL 1718 36	14	46
JL 1312 03	13	80	JL 1718 52	6	94
JL 1312 09	4	72	JL 1812 05	1	106
JL 1312 11	15	80	JL 1812 20	16	68
JL 1312 16	5	80	JL 1812 24	15	64
JL 1312 18	16	80	JL 1812 25	16	64
JL 1312 20	6	82	JL 1812 53	13	106
JL 1312 25	7	80	JL 1812 56	29	118
JL 1312 26	11	80	JL 1812 97	16	106
JL 1312 32	6	80	JL 1814 08	7	106
JL 1318 02	12	76	JL 1814 10	12	106
JL 1318 04	1	78	JL 1814 11	5	68
JL 1318 05	5	78	JL 2310 04	1	120
JL 1318 07	4	78	JL 2312 02	4	122
JL 1318 11	1	68	JL 2312 09	19	122
JL 1318 31	6	78	JL 2326 04	14	58
JL 1318 31	7	78	JL 2330 15	9	38
JL 1318 32	5	78	JL 2330 15	11	38
JL 1318 41	13	66	JL 2330 19	20	64
JL 1318 78	20	66	JL 3512 18	5	56
JL 1510 02	2	90	JL 3512 35	3	56
JL 1510 23	13	58	JL 3512 37	1	56
JL 1510 35	9	88	JL 3512 50	3	56
JL 1510 38	3	88	JL 3512 52	1	56
JL 1610 03	14	88	JL 3516 00	1	52
JL 1710 19	12	94	JL 4014 06	5	84
JL 1710 20	4	62	JL 4014 08	11	70

Parts Index



Part Number	Figure No.	Page No.	Part Number	Figure No.	Page No.
JL 4030 00	2	116	JL 5412 30	20	36
JL 4030 01	12	116	JL 5412 31	21	36
JL 4032 00	7	116	JL 5412 37	26	24
JL 5110 09	3	4	JL 5514 07	12	40
JL 5110 10	2	6	JL 5614 09	12	20
JL 5110 11	3	6	JL 5614 10	5	20
JL 5110 22	6	4	JL 5710 01	26	24
JL 5110 29	11	4	JL 5810 39	18	4
JL 5110 41	1	2	JL 5810 46	14	44
JL 5110 42	2	2	JL 5810 55	4A	44
JL 5111 12	7	4	JL 5810 56	4	44
JL 5112 05	6	6	JL 5910 45	12	48
JL 5112 19	7	4	JL 5911 48	21	50
JL 5112 20	6	8	JL 5911 56	14	48
JL 5112 21	5	8	JL 5911 57	6A	48
JL 5112 22	8	8	JL 5911 65	13	48
JL 5112 41	1	8	JL 6010 05	12	28
JL 5112 49	6	6	JL 6010 10	29	24
JL 5112 50	5	8	JL 6012 12	26	34
JL 5112 54	7	6	JL 6012 16	8	32
JL 5210 02	4	10	JL 6012 19	25	34
JL 5310 03	3	8	JL 6012 21	32	34
JL 5312 03	3	28	JL 6012 22	21	34
JL 5312 05	7	22	JL 6012 23	22	34
JL 5312 05	1	28	JL 6012 25	12A	4
JL 5412 03	7	38	JL 6012 28	23	34
JL 5412 07	12	36	JL 6012 37	12	4
JL 5412 08	5	38	JN 1810 31	36	110
JL 5412 18	19	36	JN 3516 04	11	116
JL 5412 22	18	36	JU 1318 01	10	74
JL 5412 23	10	38	JU 1318 02	23	80
JL 5412 27	8	36	JU 2328 00	1	114

Parts Index



Part Number	Figure No.	Page No.	Part Number	Figure No.	Page No.
JU 5212 12	5	10	JZ 1813 22	12	100
JU 5310 21	17	12	JZ 1910 10	5	58
JU 5410 05	13	22	JZ 4036 01	3	70
JU 5410 18	4	26	KA AB08 20	16	86
JU 5514 01	6	36	KA AB08 20	6	68
JU 5710 00	1	30	KA CA06 30	7	68
JU 5810 06	8	44	KA CA08 20	4	66
JU 5814 03	1A	42	KA CA08 30	3	122
JW 1710 16	5	96	KA CB06 18	5	122
JW 1710 16	2	100	KA CB06 22	5	122
JW 1710 16	10	96	KA CD05 16	3	94
JW 1812 28	29	110	KA Cd05 16	7	102
JY 1138 42	10	46	KA CF05 30	7	68
JY 1138 61	12	54	KA CF06 12	19	116
JY 1710 69	4	46	KA DA05 12	10	70
JY 1710 70	9	46	KA DA06 08	16	116
JY 1710 77	1	46	KA DA06 12	15	86
JY 1710 90	5	46	KA DA06 22	11	58
JY 1718 25	13	46	KA DA06 30	12	44
JY 1718 36	7	94	KA DA06 30	22	50
JY 3510 19	1	54	KA DA06 35	21	50
JY 4022 35	24	94	KA DA08 14	10	116
JY 4036 04	17	116	KA DB05 16	10	70
JY 5410 47	22	24	KA DB06 10	33	110
JY 5410 58	30	16	KA DD06 14	21	82
JY 5514 02	11	52	KA DD06 16	4	84
JY 5710 30	14	26	KA DH08 70	9	70
JY 5810 28	16	44	KA DM06 10	12	44
JZ 1130 61	15	66	KA DM06 22	6	20
JZ 1710 55	15	46	KA DQ06 25	1A	52
JZ 1812 06	21	110	KA DT06 14	17	68
JZ 1813 22	6	62	KA EA05 10	20	116

Parts Index



Part Number	Figure No.	Page No.	Part Number	Figure No.	Page No.
KA EA06 10	25	66	KB UF06 12	9	96
KA EA06 12	8	54	KB UF06 14	3	100
KA EA06 12	30	98	KB UF06 14	35	110
KA EA06 12	3	120	KC EA06 05	10	108
KA EA06 22	23	118	KC EE05 04	10	108
KA EA06 22	12	86	KC GA06 06	31	118
KA ED06 08	7	86	KC GA06 06	37	118
KA ED06 12	6	86	KD AB06 11	4	120
KA ED06 16	41	118	KD AD06 11	15	106
KA ED06 25	7	54	KD AE05 10	32	110
KA EM06 10	11	44	KD BC06 13	12	32
KA EQ06 16	27	24	KD BC06 13	8	96
KA EQ06 20	10	4	KE AB10 10	4	30
KA EQ06 20	11	8	KE BA37 15	9	26
KA EQ06 20	14	28	KE CA60 08	34	110
KA EQ06 30	14	36	KJ AC18 24	8	4
KA EQ06 30	6	38	KP BC62 02	3	74
KA EQ06 40	22	26	KP BC62 02	4	80
KA EQ06 45	8	38	KP BC63 02	3	80
KB BA05 12	21	66	LA A000 09	28	66
KB BF04 08	10	54	LA A000 19	10	80
KB BG06 12	19	26	LA C000 06	13	20
KB UA06 30	10	44	LA C000 08	14	106
KB UB06 12	13	32	LA C000 19	2	64
KB UB06 12	22	66	LA C000 20	5	88
KB UB06 12	9	96	LA C000 22	8	122
KB UB06 14	3	100	LA C000 22	1	96
KB UC05 20	27	118	LA C000 24	6	18
KB UC06 25	27	118	LA C000 36	11	106
KB UF04 08	8	106	LA C000 37	9	106
KB UF04 10	8	106	LA C000 54	14	106
KB UF06 12	13	32	LA C000 62	25	50

Parts Index



Part Number	Figure No.	Page No.	Part Number	Figure No.	Page No.
LA C000 68	27	92	LB U000 27	2	96
LA C000 74	7	66	LC A000 09	12	80
LA D000 36	27	50	LC B000 03	14	20
LA D000 37	13	76	LC D000 01	11	12
LA D000 40	25	98	LC G000 06	15	48
LA D000 63	27	24	LC J000 02	13	74
LA D000 77	5	22	LC J000 02	19	80
LA D000 81	24	26	LD A000 07	13	96
LA D001 20	3	108	LD A000 07	13	108
LA D001 54	26	94	LD A000 07	8	100
LA E000 10	23	26	LD A000 08	2	4
LA E000 14	2	26	LD A000 09	28	50
LA E000 16	8	6	LD A000 13	29	66
LA E000 17	28	16	LD B000 07	3	102
LA E000 17	17	28	LD B000 10	4	12
LA E000 17	19	116	LD B000 10	8	52
LA E000 18	6	30	LD B000 20	3	36
LA E000 21	5	86	LD B000 29	12	74
LA E000 41	34	34	LD B000 29	18	80
LA E000 42	21	26	LD F000 02	39	118
LB B000 06	12	22	LD H000 02	13	12
LB B000 07	19	26	LD H000 02	5	52
LB C000 02	19	4	LD H000 08	14	122
LB R000 02	14	96	LE B000 01	28	24
LB R000 02	15	108	LJ A000 04	14A	26
LB R000 03	7	100	LJ A000 05	33	34
LB R000 04	7A	100	PA 4016 00	8	116
LB U000 09	2	114	PA 4022 04	7	112
LB U000 12	13A	88	PA 4022 04	32	118
LB U000 22	29	50	PD 1510 06	25	92
LB U000 23	5	32	PD 5911 01	9	48
LB U000 23	6	100	YD T020 01	8A	108

Parts Index



Part Number	Figure No.	Page No.	Part Number	Figure No.	Page No.
YD T020 02	7B	108			
YD T020 03	8B	108			
YD T020 04	10	102			
YD T020 05	37	110			
YJ L040 05	11	82			
YJ L040 06	12	82			